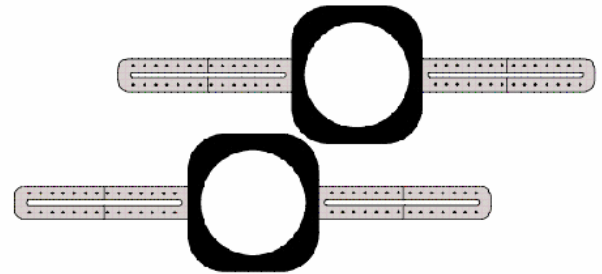


1. Introduction

On-Q/Legrand offers four (4) styles of Pre-Construction Speaker Brackets; 6.5" (364672-02) and 8" (364673-02) In-Ceiling and 6.5" (364674-02) and 8" (364675-02) In-Wall. These speaker brackets are optimized for an easy and flexible installation. They employ shatter proof aluminum wings that have an integrated adjustment channel built in and pre-wiring loops to aid in finding the speaker wire at finish time, keeping it out of the way of the dry-wall saw. All pre-construction brackets also come with center markings for easy alignment with other devices in the ceiling.



On-Q/Legrand Pre-Construction Speaker Brackets

2. Description

On-Q In-Ceiling and In-Wall speaker brackets are made of tough semi-flexible plastic frames and shatter proof aluminum wings. These brackets can be used with 16" and 24" on center joist/stud spacing. They employ a unique alignment channel that eases installation and adjustment for the installer especially when working from a ladder. This adjustment channel allows the installer to confirm, adjust or remove the bracket before committing to its final position without having to worry about damaging the bracket upon removal/adjustment.

3. Installation

NOTE: Please have dry-wall screws and or nails/staples handy for installation. Figures 3 – 7 are on page 2.

- A. Determine where in the room the speaker brackets will need to be located. After determining, measure from a fixed location and mark the corresponding joists/studs. **(See Figure 1)**
- B. Attach one end of the bracket with a drywall screw through the adjustment channel into the measurement mark. **(See Figure 2)**
- C. Adjust the bracket so that the other side aligns with the other marking and install a screw through the speaker brackets adjustment channel. **(See Figure 3)**
- D. If the bracket needs to be aligned with another object within the space, such as a recessed light, leave the screws loose and slide the bracket until aligned with the object.

NOTE: Each speaker bracket has a center marking for easy measuring. (See Figure 4)

- E. After the speaker bracket is properly positioned install some additional screws or nails to lock down its location. Screws might be preferred if movement or removal could be required at a later date. **(See Figure 5)**
- F. It is recommended to install blocking and insulation for the best possible sound quality. Refer to the On-Q speaker cubic footage chart included with the speaker instruction sheet. **(See Figure 6)**

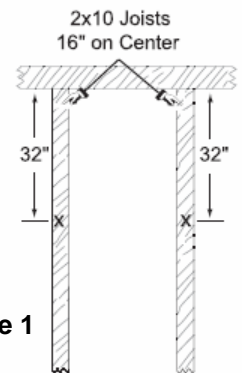


Figure 1

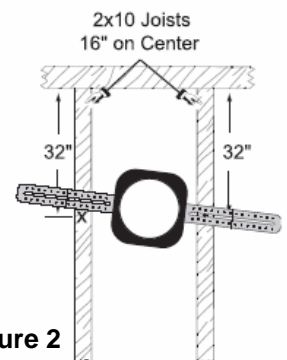


Figure 2

- G. After the speaker bracket is installed, place the speaker wire through the speaker wire retaining clips to protect it from dry-wall saws and ensure easy location at finish time. (See **Figure 7**)

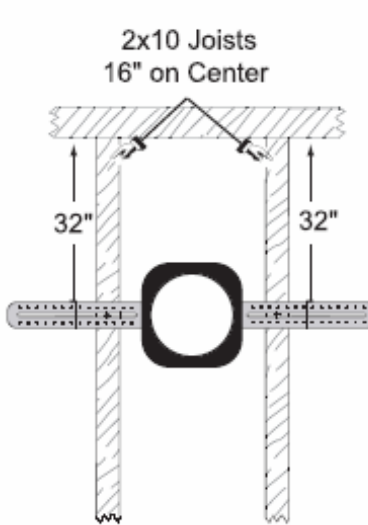


Figure 3

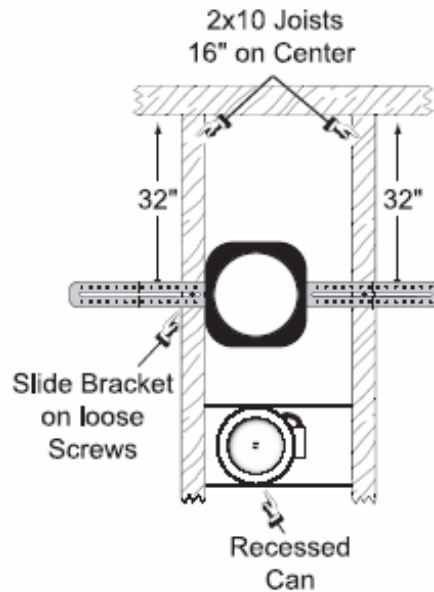


Figure 4

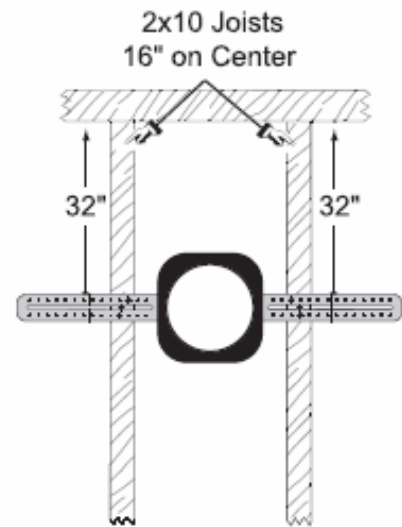


Figure 5

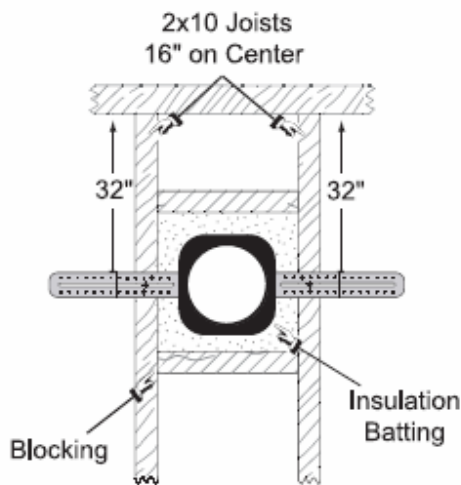


Figure 6

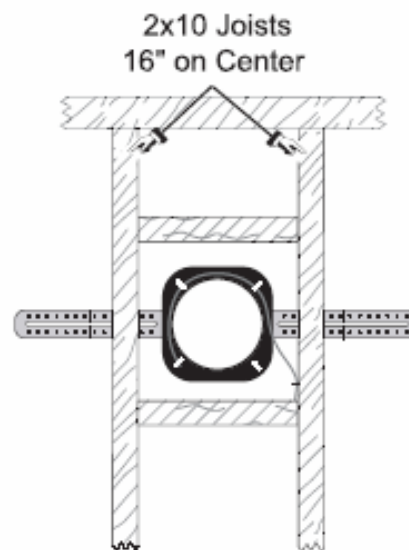


Figure 7