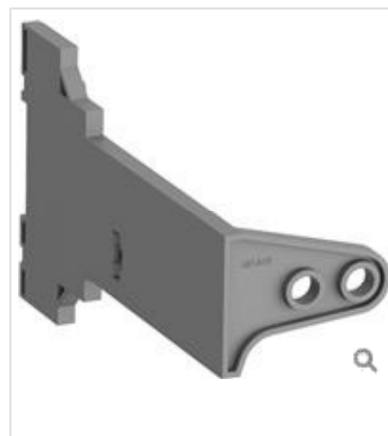


MSAH1

[Print View..](#)
[Print to Pdf..](#)

General Information

Extended Product Type:	MSAH1
Product ID:	1SAM201909R1021
EAN:	4013614483615
Catalog Description:	MSAH1 Shaft Supporter
Long Description:	MSAH1 Shaft Supporter suitable for MS116, MS132/MO132



Categories

Products » Low Voltage Products and Systems » Control Products » Manual Motor Starters » Manual Motor Starters Accessories

Ordering

EAN:	4013614483615
Minimum Order Quantity:	1 piece
Customs Tariff Number:	39089000

Container Information

Package Level 1 Width:	150.0 mm
Package Level 1 Length:	90.0 mm
Package Level 1 Height:	220.0 mm
Package Level 1 Gross Weight:	0.040 kg
Package Level 1 Units:	1 piece

Dimensions

Product Net Width:	57.0 mm
Product Net Height:	90.0 mm
Product Net Depth:	145.0 mm
Product Net Weight:	0.035 kg

Technical

Shaft Diameter:	6x6 mm
Product Name:	Shaft Supporter
Suitable For:	MS116 MS132 MO132
Suitable for Product Class:	Manual Motor Starters

Environmental

RoHS Status:	Following EU Directive 2002/95/EC August 18, 2005 and amendment
---------------------	---

Certificates and Declarations (Document Number)

RoHS Information:	1SAA963001-4407
--------------------------	-----------------