

## Ground Plates

Solid copper girdle features captive high-pressure connectors and is easy to install.

### Ground Girdle System

- Less expensive than pole butt wrapping
- Adaptable — use for multiple grounding



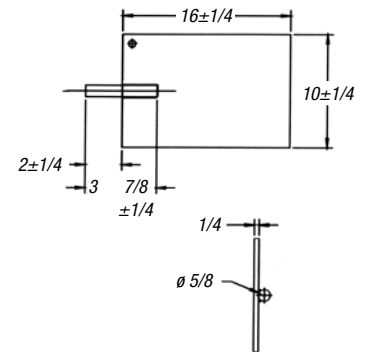
GG 144 E 1/0

CAT. NO.	DIMENSIONS (IN.)		AREA (SQ. IN.)	GAUGE	WIRE RANGE
	WIDTH	LENGTH			
GG 144 E 1/0	7½	19¼	144.4	0.06	1/0-#4
GG 288 E 2	7½	38½	288	0.06	#2 str.-#6 sol.
GG 288 E 3 V1	7½	38½	288	0.06	#2 sol.-#6 sol.

As efficient as two 10-ft. x 5/8" ground rods.

### Galvanized Ground Plates

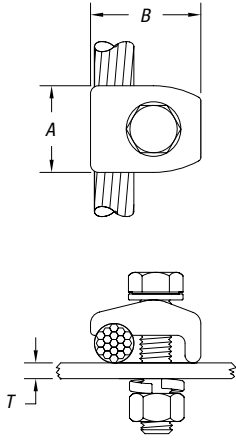
- ¼" thick, hot-dipped galvanized
- Must be buried at least 600mm (24") below finish grade level, according to CEC Rule 10-702



CAT. NO.	DESCRIPTION	CONDUCTOR RANGE
1016TB	Galvanized ground plates	#8 Sol. to 1/0 Str.
1016BTB	Galvanized ground plates with JAB58H connector	#8 Sol. to 1/0 Str.

## Bolted Bronze Connectors

### Type 2709T-1 — Ground Connector, Cable to Flat



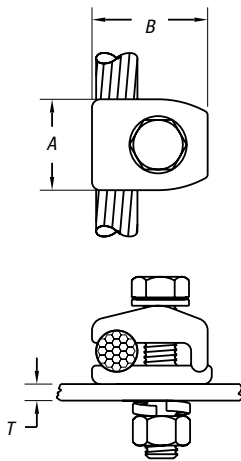
CAT. NO.	CABLE			A	B
	RANGE	DIAMETER	ROD		
2709T-1-4	#8-#4	.129-.232	3/16	1 1/2	1 1/16
2709T-1-2/0	#4-2/0	.204-.419	3/8		1 1/2
2709T-1-25	2/0-250	.419-.575	1/2	1 3/8	1 1/4
2709T-1-30	#4-300	.204-.630	5/8		1 3/8
2709T-1-50	300-500	.630-.813	3/4	1 1/2	1 3/8
2709T-1-75	550-750	.855-.998	15/16		1 1/2
2709T-1-100	800-1000	1.031-1.152	1	1 3/8	2 1/8

1/4" hardware provided for "T".

Specify other "T" if required. e.g. 2709T-1-75-T 1/2

Connectors supplied with clamping hardware in accordance with NEMA standard CC 1.

### Type 2709-1 — Ground Connector, Cable to Flat



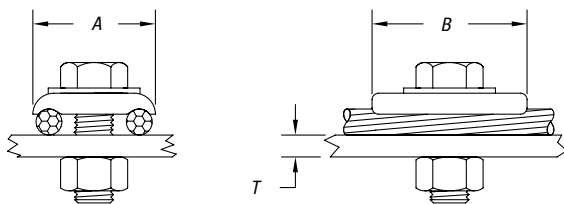
CAT. NO.	CABLE			A	B
	RANGE	DIAMETER	ROD		
2709-1-4	#8-#4	.129-.232	3/16	1 1/2	1 1/16
2709-1-2/0	#4-2/0	.204-.419	3/8		1 1/2
2709-1-25	2/0-250	.419-.575	1/2	1	1 3/8
2709-1-30	#4-300	.204-.630	5/8		1
2709-1-50	300-500	.630-.813	3/4	1 1/2	2 1/4
2709-1-75	550-750	.855-.998	15/16		1 1/2
2709-1-100	800-1000	1.031-1.152	1	1 3/8	3

1/4" hardware provided for "T".

Specify other "T" if required. e.g. 2709-1-4-T 1/2

Connectors supplied with clamping hardware in accordance with NEMA standard CC 1.

### Type 2709T-2 — Ground Connector, Two Cables to Flat



CAT. NO.	CABLE			A	B
	RANGE	DIAMETER	ROD		
2709T-2-4	#8-#4	.129-.232	3/16	1 1/8	1 1/2
2709T-2-2/0	#4-2/0	.204-.419	3/8	1 1/2	
2709T-2-25	2/0-250	.419-.575	1/2	2	2
2709T-2-30	#4-300	.204-.630	5/8		
2709T-2-50	300-500	.630-.813	3/4	2 1/2	2
2709T-2-75	550-750	.855-.998	15/16		
2709T-2-100	800-1000	1.031-1.152	1	3 3/8	

1/4" hardware provided for "T".

Specify other "T" if required. e.g. 2709-2-4-T 1/2

Connectors supplied with clamping hardware in accordance with NEMA standard CC 1.