

Two-wire IP Outdoor Station



System Overview

The DHI-VTO2000A-2-S enables tenants to view and talk with visitors and remotely unlock doors all from an intuitive mobile app and an interior color indoor monitor. Each IP outdoor station includes a 1.3 MP wide angle camera with manual rear pivot, two-way talk and enables remote functions such as snapshot when ringing and the ability to record video and audio messages to a VTH series monitor.

SIP Compatibility

Dahua Intercom devices are compatible with the Session Initiation Protocol version 2.0 (SIP), a signaling protocol for Internet conferencing, telephony, presence, event notification, and instant messaging. SIP is widely used to initiate and terminate Voice Over Internet Protocol (VOIP) calls, as well as connect physical devices to mobile applications. Dahua Intercom devices are ideal for single-family homes as well as large residential complexes or commercial properties.

Technical Specification

System

Main Processor	Embedded Micro Processor
Operating System	Embedded Linux

Operation

Input	Single Mechanical Button
-------	--------------------------

Video

Video Compression	H.264
Image Sensor	1/3-in. 1.3 MP CMOS Sensor
Lens	2.8 mm
Angle of View	Horizontal: 90° Vertical: 120°
Day/Night	Color Image

- 1.3 MP Wide Angle Pivoting Camera with Night Vision
- Built-in Microphone with Two-way Talk
- Provides an Audible Alarm if Removed from the Wall
- Connect Outdoor Stations to an NVR for Recording Call Sessions from the Indoor Monitor and for 24-hour Local Recording
- Easily Leave Audio and Video Messages
- View and Talk with Visitors and Remotely Unlock Doors Using the iDMSS/gDMSS App
- Stainless Steel Panel can be Surface- or Flush-mounted
- IP54 Ingress Protection and IK07 Vandal Resistance



Audio

Compression	G.711
Input	Omnidirectional Microphone
Output	Built-in Speaker
Bi-directional Talk	Supports Dual-way Bi-directional Talk

Interface

Door Control	One (1) Relay Out for Main Lock
Alarm Input	Two (2) Channels: <ul style="list-style-type: none"> • One (1) Channel, Unlock Button • One (1) Channel, Feedback
RS485	One (1) Port
Tamper Switch	One (1)

Network

Ethernet	10/100 Mbps, Self-adaptive
Network Protocol	TCP/IP

Certifications

Electromagnetic Compatibility (EMC)	FCC CFR 47 Part 15 subpart B ANSI C63.4 - 2009 EN 55022:2010, EN 55024:2010, EN 50130-4:2011, EN 61000-6-3:2007, EN 61000-3-2:2006+A1:2009 EN 61000-3-3:2008, IEC 61000-4-2:2008, IEC 61000-4-3:2010, IEC 61000-4-4:2012, IEC 61000-4-5:2005, IEC 61000-4-6:2008, IEC 61000-4-8:2009, IEC 61000-4-11:2004
-------------------------------------	--

Electrical

Power	24 VDC Power supplied via DHI-VTNC3000A.
Power Consumption	Standby: ≤ 1 W Operation: ≤ 10 W

Environmental

Operating Temperature	-40° C to +60° C (-40° F to +140° F)
Operating Humidity	10% to 90%, Relative
Ingress Protection	IP54
Vandal Resistance	IK07

Construction

Material	Stainless Steel
Dimensions	129.90 mm x 32.17 mm x 140.0 mm (5.08 in. x 1.27 in. x 5.51 in.)
Net Weight	0.80 kg (1.76 lb)
Installation	Surface- or Flush-mount

Ordering Information

Type	Part Number	Description
Intercom	DHI-VTO2000A-2-S	Two-Wire IP Outdoor Station
Accessories, optional	DHI-VTH1550CHW-2-S	Two-wire Color Indoor Monitor
	DHI-VTNC3000A	Two-wire Network Controller, Power Supply and Signal
	ADS-110DL-19-1 240072E	24 VDC, 3 A Power Adapter for use with DHI-VTNC3000A
	VTOB107	Flush-mount Box, plastic
	VTOB108	Surface-mount Box, metal
	iDMSS/gDMSS App	Available from the Apple App Store or the Google Play Store

Accessories



DHI-VTH1550CHW-2-S
Color Indoor Monitor



DHI-VTNC3000A
Two-wire Network Controller



ADS-110DL-19-1 240072E
24 VDC, 3 A Power Adapter
for use with DHI-VTNC3000A



VTOB107
Flush-mount Box

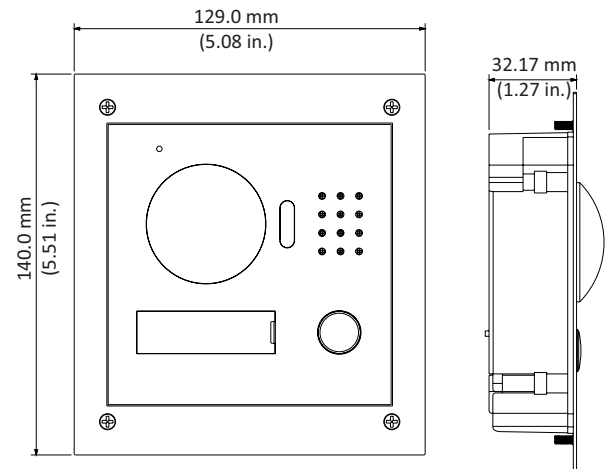


VTOB108
Surface-mount Box



iDMSS/gDMSS
Mobile Application

Dimensions (mm/in.)



View Area

