

IP Outdoor Station



- 1.3 MP Wide Angle Pivoting Camera with Night Vision
- Built-in Microphone with Two-way Talk
- Provides an Audible Alarm if Removed from the Wall
- Connect Outdoor Stations to an NVR for Recording Call Sessions from the Indoor Monitor and for 24-hour Local Recording
- Easily Leave Audio and Video Messages
- View and Talk with Visitors and Remotely Unlock Doors Using the iDMSS/gDMSS App
- Stainless Steel Panel can be Surface- or Flush-mounted
- IP54 Ingress Protection and IK07 Vandal Resistance

System Overview

The DHI-VTO2000A-S enables tenants to view and talk with visitors and remotely unlock doors all from an intuitive mobile app and an interior color indoor monitor. Each IP outdoor station includes a 1.3 MP wide angle camera with manual rear pivot, two-way talk and enables remote functions such as snapshot when ringing and the ability to record video and audio messages to a VTH series monitor.

SIP Compatibility

Dahua Intercom devices are compatible with the Session Initiation Protocol version 2.0 (SIP), a signaling protocol for Internet conferencing, telephony, presence, event notification, and instant messaging. SIP is widely used to initiate and terminate Voice Over Internet Protocol (VOIP) calls, as well as connect physical devices to mobile applications. Dahua Intercom devices are ideal for single-family homes as well as large residential complexes or commercial properties.

Technical Specification

System

Main Processor	Embedded Micro Processor
Operating System	Embedded Linux

Operation

Input	Single Mechanical Button
Door Lock	Status Check Support (optional)

Video

Video Compression	H.264
Image Sensor	1/3-in. 1.3 MP CMOS Sensor
Lens	2.8 mm
Angle of View	Horizontal: 90° Vertical: 120°
Day/Night	ICR



Interface

Audio	Input: Omnidirectional Microphone Output: Built-in Speaker Two-way Talk
Audio Compression	G.711
Door Control	One (1) Relay Out for Main Lock
Alarm Input	Two (2) Channels: • One (1) Channel, Unlock Button • One (1) Channel, Feedback
RS485	One (1) Port
Tamper Switch	One (1)

Network

Ethernet	10/100 Mbps, Self-adaptive
Network Protocol	TCP/IP

Certifications

Electromagnetic Compatibility (EMC)	FCC CFR 47 Part 15 subpart B ANSI C63.4 - 2009 EN 55022:2010, EN 55024:2010, EN 50130-4:2011, EN 61000-6-3:2007, EN 61000-3-2:2006+A1:2009 EN 61000-3-3:2008, IEC 61000-4-2:2008, IEC 61000-4-3:2010, IEC 61000-4-4:2012, IEC 61000-4-5:2005, IEC 61000-4-6:2008, IEC 61000-4-8:2009, IEC 61000-4-11:2004
-------------------------------------	--

Electrical

Power	12 VDC Can receive power from DHI-VTNS10160A, or Use a separate 12 VDC power supply
Power Consumption	Standby: ≤ 1 W Operation: ≤ 10 W

Environmental

Operating Temperature	-40° C to +60° C (-40° F to +140° F)
Operating Humidity	10% to 90%, Relative
Ingress Protection	IP54
Vandal Resistance	IK07

Construction

Material	Stainless Steel
Dimensions	129.0 mm x 32.17 mm x 140.0 mm (5.08 in. x 1.27 in. x 5.51 in.)
Net Weight	0.80 kg (1.76 lb)
Installation	Surface- or Flush-mount

Ordering Information

Type	Part Number	Description
Intercom	DHI-VTO2000A-S	IP Outdoor Station
Accessories, optional	DHI-VTH1550CH-S	Color Indoor Monitor, 7-in. Display
	DHI-VTNS1060A	Network Power Supply
	ADS-110DL-19-1 240072E	24 VDC, 3 A Power Adapter for use with DHI-VTNS1060A
	ADS-12AM-12 12012EPCU	12 VDC, 1 A Power Adapter for use with DHI-VTO2000A-S
	VT0B107	Flush-mount Box, plastic
	VT0B108	Surface-mount Box, metal
	iDMSS/gDMSS App	Available from the Apple App Store or the Google Play Store

Accessories



DHI-VTH1550CH-S
7-in. Color Indoor Monitor



DHI-VTNS1060A
Network Power Supply



ADS-110DL-19-1 240072E
24 VDC, 3 A Power Adapter
for use with DHI-VTNS1060A



ADS-12AM-12 12012EPCU
12 VDC, 1 A Power Adapter
for use with DHI-VTO2000A-S



VT0B107
Flush-mount Box

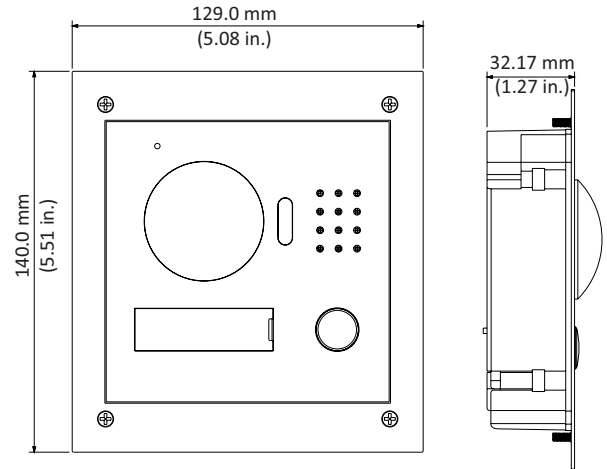


VT0B108
Surface-mount Box



iDMSS/gDMSS
Mobile Application

Dimensions (mm/in.)



View Area

