

# UNIVERSAL TRAY SUPPORT



## FEATURES

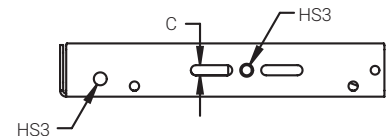
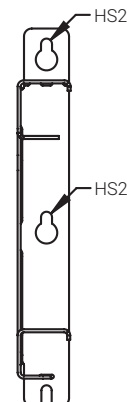
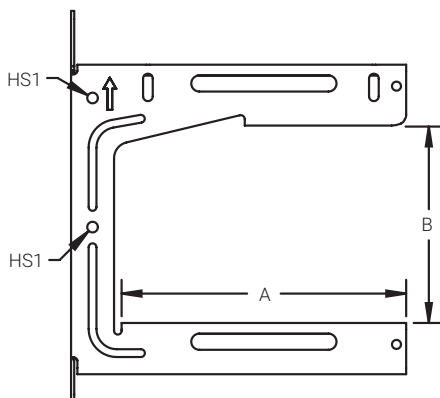
- Universal design to accommodate various cable tray hanging methods including ceiling, wall, threaded rod, or cable hanging systems
- C-shape maintains accessibility to cables after installation is completed
- Strut profile on both arms allow for two runs of cable trays per bracket
- Top tab can be bent allowing for extra wide cable trays to be installed when two brackets are fastened back-to-back
- Key holes provided for wall mount applications
- Works with the KBT Wire Basket Tray Clip for securing wire basket cable tray and standard hardware for J-bolts for securing cable ladder

Universal Tray Supports are the perfect solution for supporting cable trays while maintaining accessibility to cables after the installation is completed. Universal Tray Supports are different from labor-intensive traditional methods fabricated with ceiling brackets, strut channels, cantilever arms, and various hardware. Universal Tray Supports can be attached to ceiling, wall, threaded rod, or cable hanging systems to support all possible project requirements and additional cable capacity.

Material: Steel  
Finish: Electrogalvanized

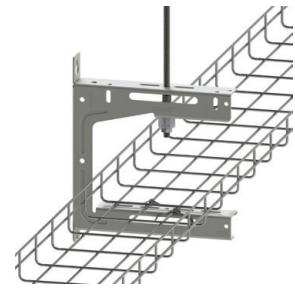
Part Number	A	B	C	Hole Size 1 HS1	Hole Size 2 HS2	Hole Size 3 HS3	Static Load 1 F1	Static Load 2 F2
UTS150	6.5"	6.1"	0.325"	0.33"	0.33"	0.41"	100 lb	200 lb
UTS200	8.8"	6.1"	0.325"	0.33"	0.35"	0.41"	100 lb	200 lb
UTS300	12.7"	6.2"	0.325"	0.33"	0.33"	0.41"	100 lb	200 lb

Refer to Static Load 1 for installations with threaded rod. Refer to Static Load 2 for wall mount and 3 mm nVent CADDY Speed Link Y-Hook installations.



# NVENT CADDY ROD LOCK UNIVERSAL TRAY SUPPORT

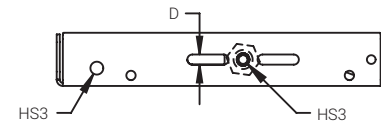
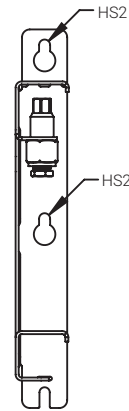
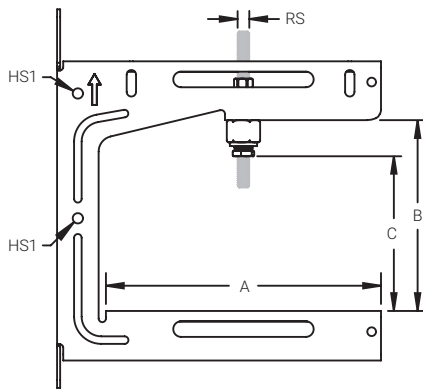
- Easy “push-to-install” design allows installers to simply push the threaded rod through the mounting hole, instantly holding it in position



Material: Steel  
Finish: Electrogalvanized

Part Number	Rod Size RS	A	B	C	D	Hole Size 1 HS1	Hole Size 2 HS2	Hole Size 3 HS3	Static Load 1 F1	Static Load 2 F2
UTS15038RL	3/8"	6.5"	6.1"	5"	0.325"	0.33"	0.33"	0.41"	100 lb	200 lb
UTS20038RL	3/8"	8.8"	6.1"	5"	0.325"	0.33"	0.35"	0.41"	100 lb	200 lb
UTS30038RL	3/8"	12.7"	6.2"	5"	0.325"	0.33"	0.33"	0.41"	100 lb	200 lb

Refer to Static Load 1 for installations with threaded rod. Refer to Static Load 2 for wall mount and 3 mm Speed Link Y-Hook installations.



Our powerful portfolio of brands:

**CADDY ERICO HOFFMAN RAYCHEM SCHROFF TRACER**

**WARNING:** nVent products shall be installed and used only as indicated in nVent's product instruction sheets and training materials. Instruction sheets are available at [nVent.com/CADDY](http://nVent.com/CADDY) and from your nVent customer service representative. Improper installation, misuse, misapplication or other failure to completely follow nVent's instructions and warnings may cause product malfunction, property damage, serious bodily injury and death and/or void your warranty.

©2018 nVent. All nVent marks and logos are owned or licensed by nVent Services GmbH or its affiliates. All other trademarks are the property of their respective owners. nVent reserves the right to change specifications without notice.

CADDY-DS-D1285S-D173LT17NAEN-EN-1805