



**Ring Terminal
T&B Catalog Number:**

E6-516
78621080360
Active

**UPC Number:
Status:
Description:**

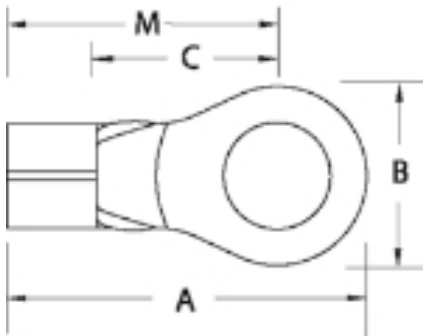
Non-Insulated Large Brazed Seam Ring Terminal, Length 1.32 Inches, Width .60 Inches, Bolt Hole 5/16 Inch, Wire Range #6 AWG, Copper, Tin Plated, 20 Pack

WEB_USE

US Cutsheet PDF Catalog Link <http://www-public.tnb.com/contractor/docs/stakon.pdf>

Features

These non-insulated ring terminals are made of electrolytic copper for high conductivity. They can be installed with crimping tools having a single indenter or double indenter (recommended for solid wire). Serrated barrel increases grip on wire.



General

Insulation Type	Non-Insulated - Brazed Seam
Terminal Series	E
Material	Copper
Finish	Electro -Tin Plated
Color	Metallic
Wire Range	6
Stud Size	5/16

Dimension Information

Stock Thickness	.06
A (inches)	1.32
B (inches)	.60
C (inches)	.49
M (inches)	1.03

Specifications

Temperature Rating	150°C
Voltage Rating	600V
Flammability Rating	UL 94 V-0

Tooling

Tool Charts	Available on Website
Application Tools	WT115A, TBM6, TBM6S, WT3185
Recommended Tool	TBM6S

Packaging

T&B Order Multiple	20
T&B Inner Pack	20
Package in Units	100
Package Type	Standard
T&B Sold in UOM	Each
T&B Weight Per UOM	1.81 lbs. per 100
Alternate Package Qty	E72

Application Support

Overview	Available on Website
----------	----------------------

Wire Guide Tables

Available on Website

Notes

Not available on Mylar Tape.

Certifications

RoHS Compliance

Yes

Certifications



File Nbr:

E9809

For further technical assistance, please contact us...

Thomas & Betts - USA
8155 T&B Blvd.
Memphis, TN 38125
www.tnb.com

T&B Technical Support
MS 3B-50
8155 T&B Blvd.
Memphis, TN 38125

Hours: 7AM - 6PM CDT
Monday-Friday
Phone: (888) 862-3289
Fax: (901) 252-1321
Email:techsupport@tnb.com