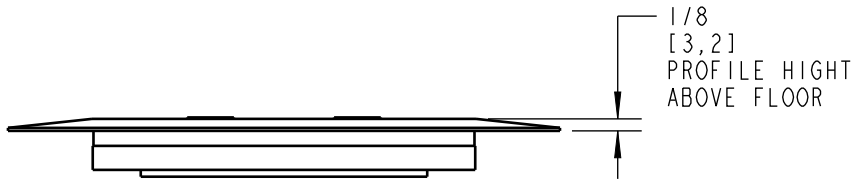
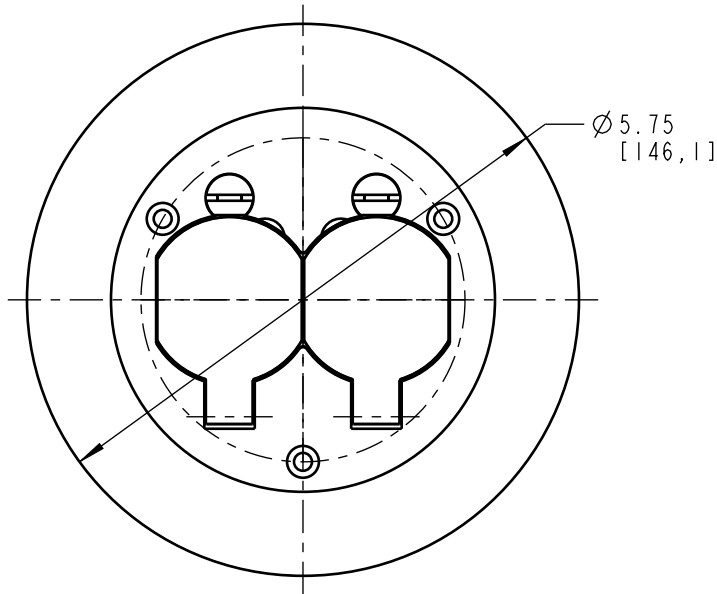
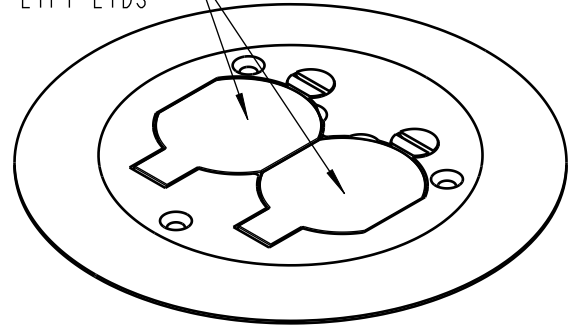


CATALOG NUMBERS:  
**P 60 CACP**  
**P60CACP-AL**

HINGED DUPLEX  
 LIFT LIDS



| CATALOG NUMBERS | MATERIAL    | FINISH   |
|-----------------|-------------|----------|
| P 60 CACP       | SOLID BRASS | BRASS    |
| P 60 CACP AL    | ALUMINUM    | ALUMINUM |

FEATURES:

1. FOR USE WITH 68P, 68 AND 600 SERIES FLOOR BOXES
2. AVAILABLE IN SOLID BRASS OR ALUMINUM
3. FURNISHED WITH MATCHING 8-32 X 1" SCREWS

| GENERAL NOTES   |   | <br>A Member of the ABB Group |           |          |             |
|---|---|-------------------------------|-----------|----------|-------------|
| 1. ALL DIMENSIONS ARE FOR REFERENCE ONLY.<br>2. DIMENSIONS IN BRACKETS [ ] ARE IN METRIC UNITS. |   |                               |           |          |             |
| REVISIONS   |   | ORIGINAL PROJECT NO / ECN NO  | SHEET NO: | REV. NO: | DRAWING NO: |
| A   | SEE ECN ( **** ) FOR APPROVAL SIGNATURES & RELEASE DATE. PROJECT NO: **** | 003V001056 / ECN000083908     | 1 OF 1    | A        | WSD-002606  |