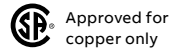


## CL Series

20 A 600 V; transformer rated

### Product specifications

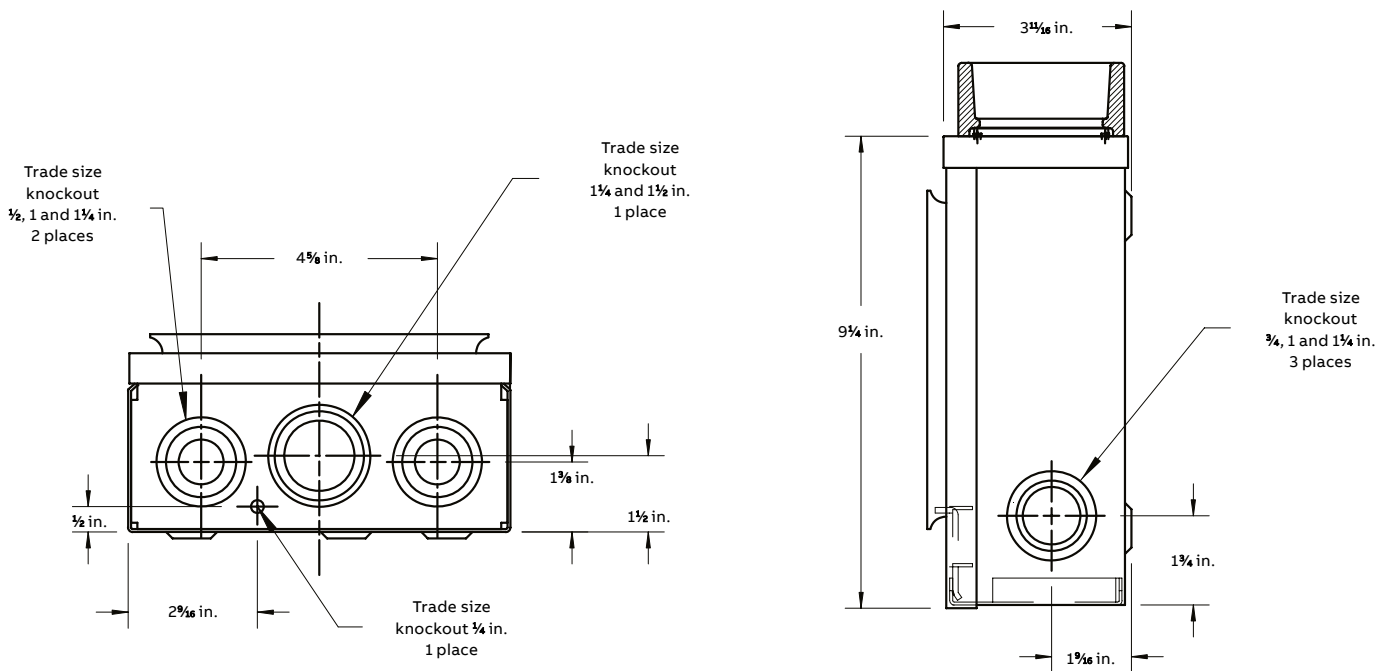
- Conductor range: 14–10 AWG
- Aluminum tunnel type connectors for both load and line sides
- Circuit closing feature to short out current transformer upon removal of meter
- For overhead hub opening only
- Supplied with screw type ring
- Weatherproof Type 3R enclosure
- Primarily used in: Sask., Man., N.B., N.S., P.E.I., Nfld.



Cat. no.	Description	Dimensions (in.)			Weight each	
		H	W	D	lb	kg
<b>4 Jaw</b>						
CL4-V	Circuit closing on left side	9 $\frac{3}{4}$	7 $\frac{5}{8}$	3 $\frac{1}{16}$	7	3.1
CL4-TV	Circuit closing on left side, no hub opening					
<b>5 Jaw</b>						
CL5-V	Circuit closing on left side (Lower right hand jaw is a support only)	9 $\frac{3}{4}$	7 $\frac{5}{8}$	3 $\frac{1}{16}$	7	3.1
<b>6 Jaw</b>						
CL6-LRV	Circuit closing both left and right sides	9 $\frac{3}{4}$	7 $\frac{5}{8}$	3 $\frac{1}{16}$	7	3.1



### Diagrams

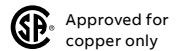


## CT Series

20 A 600 V; transformer rated with compartment for test switch

### Product specifications

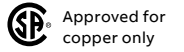
- Conductor range: 14–10 AWG
- Tunnel type connectors for both load and line sides
- For underground service only
- Meter compartment cover overlaps lower test switch compartment cover; insertion of meter securely holds upper cover in place by means of a catch
- Lower test switch compartment cover securely held by upper cover and a catch at bottom
- A removable mounting bridge is provided for fastening test switch
- Supplied with screw type ring
- Primarily used in: AB, Sask., Man., Ont., N.B., N.S., P.E.I.



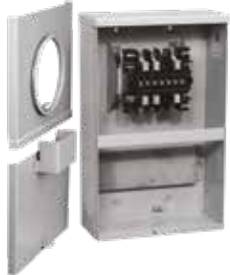
Cat. no.	Description	Dimensions (in.)			Weight each	
		H	W	D	lb	kg
<b>4 Jaw</b>						
CT104	Unwired unit with test switch provision	19 $\frac{3}{8}$	11 $\frac{13}{16}$	5 $\frac{1}{16}$	16	7.2
<b>5 Jaw</b>						
CT105	Unwired unit with test switch provision	19 $\frac{3}{8}$	11 $\frac{13}{16}$	5 $\frac{1}{16}$	16	7.2
<b>8 Jaw</b>						
CT108	Unwired unit with test switch provision	19 $\frac{3}{8}$	11 $\frac{13}{16}$	5 $\frac{1}{16}$	18	8.1
<b>13 Jaw</b>						
CT113	Unwired unit with test switch provision	19 $\frac{3}{8}$	11 $\frac{13}{16}$	5 $\frac{1}{16}$	19	8.6



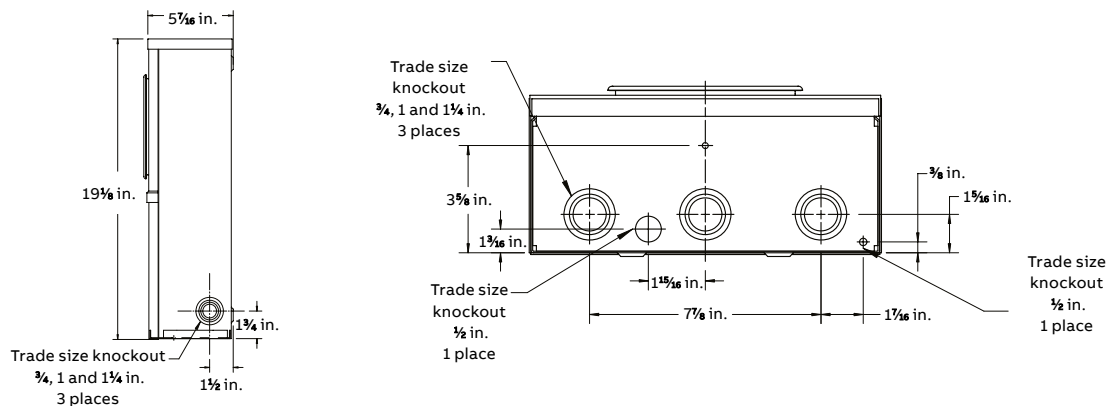
Lower test switch compartment cover securely held by upper cover and a lockout device with an enlarged pad hole (0.375 in. dia.)



Cat. no.	Description	Dimensions (in.)			Weight each	
		H	W	D	lb	kg
<b>5 Jaw</b>						
CT105-L	BC Hydro approved with SWL cover with enlarged padlock hole	19 $\frac{3}{8}$	11 $\frac{13}{16}$	5 $\frac{1}{16}$	16	7.2
<b>8 Jaw</b>						
CT108-L	BC Hydro approved with SWL cover with enlarged padlock hole	19 $\frac{3}{8}$	11 $\frac{13}{16}$	5 $\frac{1}{16}$	18	8.1
<b>13 Jaw</b>						
CT113-L	BC Hydro approved with SWL cover with enlarged padlock hole	19 $\frac{3}{8}$	11 $\frac{13}{16}$	5 $\frac{1}{16}$	19	8.6



### Diagrams

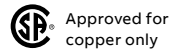


## CT-SWL Series

20 A 600 V; transformer rated with test switch

### Product specifications

- Conductor range: 14–10 AWG
- Tunnel type connectors for both load and line sides
- For underground service only
- Lower test switch compartment cover securely held by upper cover and a lockout device with an enlarged pad hole (0.375 in. dia.)
- Test switch included as part of these models
- Units are prewired from base to test switch
- Furnished with tamper-resistant device for meter ring
- Weatherproof Type 3R enclosure



Cat. no.	Description	Dimensions (in.)			Weight each	
		H	W	D	lb	kg
<b>4 Jaw</b>						
CT104-SWL	Factory prewired unit with lockout device on bottom door	19 <sup>1</sup> / <sub>8</sub>	11 <sup>19</sup> / <sub>16</sub>	5 <sup>7</sup> / <sub>16</sub>	18	8.2
CT104-6SWL	Factory prewired unit with lockout device on bottom door (Enmax approved) 5 <sup>th</sup> jaw in 6 o'clock position	19 <sup>1</sup> / <sub>8</sub>	11 <sup>19</sup> / <sub>16</sub>	5 <sup>7</sup> / <sub>16</sub>	18	8.2
CT104-5SWLHQ	Hydro-Québec approved 20 A current transformer meter socket	18	8 <sup>3</sup> / <sub>4</sub>	4 <sup>1</sup> / <sub>2</sub>	11	5.4
CT105-SWLMH	Manitoba Hydro approved 20 A current transformer meter socket	19 <sup>1</sup> / <sub>8</sub>	11 <sup>19</sup> / <sub>16</sub>	5 <sup>7</sup> / <sub>16</sub>	21	9.5
<b>6 Jaw</b>						
CT106-SWL	Factory prewired unit with lockout device on bottom door	19 <sup>1</sup> / <sub>8</sub>	11 <sup>19</sup> / <sub>16</sub>	5 <sup>7</sup> / <sub>16</sub>	21	9.5
CT106-SWLNL	Newfoundland approved 20 A current transformer meter socket	19 <sup>1</sup> / <sub>8</sub>	11 <sup>19</sup> / <sub>16</sub>	5 <sup>7</sup> / <sub>16</sub>	21	9.5
CT108-SL	Epcor approved 20A current transformer meter socket	19 <sup>1</sup> / <sub>8</sub>	11 <sup>19</sup> / <sub>16</sub>	5 <sup>7</sup> / <sub>16</sub>	21	9.5
<b>13 Jaw</b>						
CT113-SWL	Factory prewired unit with lockout device on bottom door	19 <sup>1</sup> / <sub>8</sub>	11 <sup>19</sup> / <sub>16</sub>	5 <sup>7</sup> / <sub>16</sub>	21	9.5
CT113-SWLNL	Newfoundland approved 20 A current transformer meter socket	19 <sup>1</sup> / <sub>8</sub>	11 <sup>19</sup> / <sub>16</sub>	5 <sup>7</sup> / <sub>16</sub>	21	9.5



### Diagrams

