

Mercmaster™ LED Generation 3 Series Luminaires

Enclosed and Gasketed Fixtures

NEC/CEC:

Class I, Division 2, Groups A, B, C, D
Class II, Division 1 and 2, Group E, F, G
Class III
Class I, Zone 2 AEx ec IIC
Zone 21 AEx tb IIC
Class I, Zone 2 Ex ec II

NEC/CEC:

Zone 21 Ex tb IIC
Type 3R, 4, 4X
IP66/IP67
Simultaneous Exposure
Suitable for Use in Wet Locations

NEC/CEC:

Marine Outside Type (Salt Water)
American Bureau of Shipping (ABS) Certified
International Dark Sky (IDA) Approved

ATEX:

Zone 2 and 21/22
II 3 G
II 2 GD
IP66
IK08

IECEX:

Zone 2 and 21/22
Ex ec IIC
Ex tb IIC
Ex tc IIC
IP66
IK08

Applications

- Enclosed and gasketed fixtures suitable for use in:
 - A wide range of industrial, chemical processing and other areas where flammable gases and vapors or combustible dusts may be present
 - Marine and wet locations
 - Suitability includes use where there may be simultaneous exposure to flammable gases and vapors or combustible dusts
- Typical applications include:
 - Power plants
 - Processing plants
 - Chemical plants
 - Oil refineries
 - Waste and sewage treatment
 - Other areas where dust, water, dirt and rough usage are a problem

Features

- Modular design provides thousands of combinations for maximum versatility.
- Design is suited for mounting heights ranging from 2 m (7 ft), up to 15 m (50 ft).
- Nine light outputs provide up to 26,000 lumens (5000K CCT, Type V light distribution, and clear glass globe).

Nominal Lumens ①	HID Equivalent	Model Number
3500	70-100W	MLGL3
5500	100-150W	MLGL5
7500	175-250W	MLGL7
9500	250-350W	MLGL9/ MLGH9
11,500	350-400W	MLGH1
14,500	400W	MLGH3
17,500	400-600W	MLGH6
20,000	600-750W	MLGX1
24,000	1000W	MLGX5

① Nominal lumen value for 5000K, clear glass globe, Type V wide optic. Detailed lumen information is provided in tables.

- Choice of optics for optimal light distribution in a variety of applications: Type I, Type III, Type V or Type V Wide.
- Choice of color temperature (CCT): 5000K cool white (70 CRI min), 4500K mid-neutral (80 CRI min), 4000K neutral white (80 CRI min), 3500K mid-warm (80 CRI min), or 3000K warm white (80 CRI min).
- Options for High Ambient luminaires (up to 75 °C [167 °F]). Add **-A** at end of eligible part numbers. See T-Code table for specifics.
- Customize to the application requirements with four different globe options: clear and diffused polycarbonate, clear glass, or prismatic glass refractor.
- Seven standard mounting hood designs allow for mounting in any location. Uses same mounting hoods as Mercmaster III.
- Retrofit adapters for Crouse-Hinds™, Mercmaster II, and Killark ✧ hoods available. See Mercmaster LED Adapters.
- New Watertight Pendant Hood with IP 68 cord grip available to address water ingress into luminaire via conduit.



MLGL



MLGH/MLGX

- Hinge has high lip for added safety during installation and servicing. Hinge and bolt construction assures 360° compression at all points on fixture housing gasket for positive sealing. Swing away design of captive bolt and nut simplifies installation.
- Rugged housing with superior thermal design translates to long luminaire life.
- Luminaire housing has wiring compartment with terminal block separate for easy wiring access.
- Standard screw-type terminal block can accept UL/CSA .14 to 6 mm² (26-10 AWG) wire.
- Standard 6 kV surge protection. Optional 10 kV available.
- Heavy duty, high temperature silicone gaskets.
- Photometric data and electronic drawings available upon request.
- Ambient Temperature (standard product): -40 °C to +65 °C (-40 °F to +149 °F). Higher ambient options available on select configurations. See T-Code table for details.
- Standard NPT threads with M20 option.
- LED L70 reported at 76,000 hours.
- Field replaceable globes and LED driver.
- 10 Year warranty standard for select part numbers (see ordering tree for details)

Options

- Globe and refractor guards available, purchase separately
- Safety cable available, *purchase separately*.
- All Mercmaster luminaires have provision for fusing; add suffix **-F** at the end of the catalog number.
- All Mercmaster LED Generation 3 luminaires have option for 10 kV surge protection. Add suffix **-S** at the end of the catalog number.
- Some lumen output luminaires offer High Ambient temperature option up to 70 °C or 75 °C (158 °F or 167 °F). See catalog logic tree for specifics.
- Photocontrols are available and are configured to your operating voltage. Add suffix **-1** for 120V, **-2** for 208V, **-3** for 240V, **-4** for 277V.
- Drain is available to divert water existing in the conduit system, *purchase separately*.

✧ Killark is a registered trademark of Hubbell Incorporated

✦ Crouse-Hinds is a registered trademarks of Cooper Crouse-Hinds.

Mercmaster™ LED Generation 3 Series Luminaires

Enclosed and Gasketed Fixtures

NEC/CEC:

Class I, Division 2, Groups A, B, C, D
Class II, Division 1 and 2, Group E, F, G
Class III
Class I, Zone 2 AEx ec IIC
Zone 21 AEx tb IIIC
Class I, Zone 2 Ex ec II

NEC/CEC:

Zone 21 Ex tb IIIC
Type 3R, 4, 4X
IP66/IP67
Simultaneous Exposure
Suitable for Use in Wet Locations

NEC/CEC:

Marine Outside Type (Salt
Water)
American Bureau of Shipping
(ABS) Certified
International Dark Sky (IDA)
Approved

ATEX:

Zone 2 and 21/22
II 3 G
II 2 GD
IP66
IK08

IECEX:

Zone 2 and 21/22
Ex ec IIC
Ex tb IIIC
Ex tc IIIC
IP66
IK08

Standard Materials

- Mounting hoods and bodies: cast copperfree (4/10 of 1% max.) aluminum
- Gaskets: silicone
- All hardware and catch assemblies: stainless steel
- Globe: polycarbonate or glass
- Refractor: heat-resistant prismatic glass
- Glass globe guard and safety cable: stainless steel wire
- Glass refractor guard: die cast aluminum

Standard Finishes

- Mounting hoods, bodies and glass refractor guard: gray epoxy powder coat finish, electrostatically applied for complete uniform protection

Related Products

- Industrial Mercmaster LED Generation 3 Luminaires
- Mercmaster LED Low Profile Luminaires
- Mercmaster LED Mounting Adapters
- Mercmaster LED Generation 3 Emergency Battery Backup

NEC/CEC Certifications and Compliances

- UL Standard: UL 844; UL 1598; UL 50E; UL 8750; UL 60079-0; UL 60079-7; UL 60079-31
- CSA Standard: C22.2 No. 0 - 10; C22.2 No. 94.2 - 15; C22.2 No. 137 -M1981; C22.2 No. 250.0 - 08; C22.2 No. 250.13 -14; C22.2 No. 60529; C22.2 No. 60079-0:15; C22.2 No. 60079-7:16; C22.2 No. 60079-31:15; CSA E60598-1:16
- NEMA ANSI/IEC Standards: 60529
- cCSAus: 164460, Certificate Number: 70112879

ATEX/IECEX Certifications and Compliances

- Certification Type: Mercmaster Generation 3
 - Gas: Zones 2
 - Conforming to ATEX 2014/34/EU: II 3 G
 - Type of Protection: Ex ec IIC T* Gc
 - Temperature Class: T6 to T3
 - Dust: Zones 21 and 22
 - Conforming to ATEX 2014/34/EU: II 2 D
 - Type of Protection: Ex tb IIIC T**°C Db; Ex tc IIIC T*°C Dc
 - Surface Temperature: +61 °C to +104 °C (+142 °F to +219 °F)
- Ambient Temperature: -40 °C up to +75 °C (-40 °F up to +167 °F)
- ATEX Certificate: Sira 17ATEX9365X
- IECEX Certificate: IECEX SIR 17.0085X
- Index of Protection according EN/IEC 60529: IP66
- Impact Resistance (shock): IK08
- Photobiological Safety, IEC 62778 and IEC 62471: RG0 for all models

Design Lights™ Consortium

- Check DLC QPL for current list of products.

International Dark-Sky Association

- IDA Dark Sky Approved when ordering [I]MLG[A/B/C/D/R/W] xxW[P/D/G]5Bxxx with MMVISOR accessory

Mercmaster™ LED Generation 3 Series Luminaires

Enclosed and Gasketed Fixtures

NEC/CEC:

Class II, Division 2, Groups A, B, C, D
 Class II, Division 1 and 2, Group E, F, G
 Class III
 Class I, Zone 2 AEx ec IIC
 Zone 21 AEx tb IIC
 Class I, Zone 2 Ex ec II

NEC/CEC:

Zone 21 Ex tb IIC
 Type 3R, 4, 4X
 IP66/IP67
 Simultaneous Exposure
 Suitable for Use in Wet Locations

NEC/CEC:

Marine Outside Type (Salt Water)
 American Bureau of Shipping (ABS) Certified
 International Dark Sky (IDA) Approved

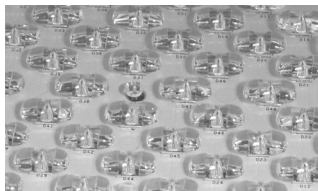
ATEX:

Zone 2 and 21/22
 II 3 G
 II 2 GD
 IP66
 IK08

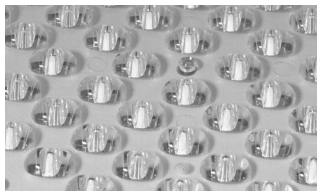
IECEx:

Zone 2 and 21/22
 Ex ec IIC
 Ex tb IIC
 Ex tc IIC
 IP66
 IK08

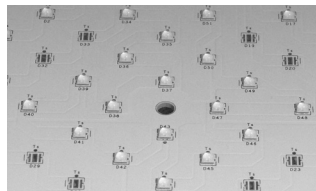
LED Flexibility and Modular Design



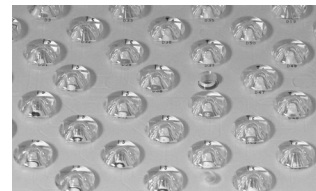
Type I - Long and narrow distribution pattern designed with walkways in mind.



Type III - Wall mounted distribution pattern designed where you need good forward light projection.



Type V - Symmetrical circle distribution pattern ideal when you need even coverage in all directions.



Type V Wide - Like the Type V distribution pattern with more vertical lumens designed to help spread the light quicker and more outwards.

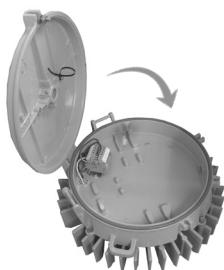
Choose from **three color temperatures** (CCT): 3000K, 4000K, and 5000K ±

Four light distribution patterns: Type I, Type III, Type V and Type V wide for application flexibility.

Seven mounting hoods allow one fixture to be configured for ceiling, pendant, stanchion, or wall applications.

Four globes; clear and diffused polycarbonate, clear glass globe, and prismatic refractor provide just the right level of diffusion.

Safety Features



Latch Assembly and Hinge: Captive, stainless steel latch assembly (bolt and nut) closes securely while providing resistance to corrosive atmospheres.

Swing-away design simplifies wiring and installation. Extra high hinge provides additional protection against accidental driver housing disengagement during installation or maintenance.

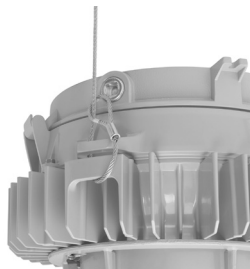
Designed for the Environment



Driver housing design incorporates separate sections for the terminal block and driver.

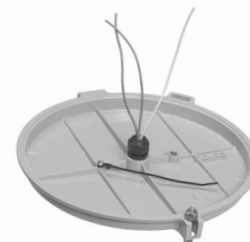
The efficient thermal design ensures reliable heat transfer from the LED assembly out via the heatsink and the cast, epoxy powder coat, aluminum body.

Safety Cable



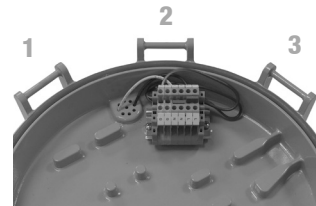
Safety cable is slipped around the housing through retention points that are casted in. Safety cable has built in loops combined with a locking carabiner to allow for a quick and secure installation.

Watertight Pendant Hood



New watertight pendant hood provides protection against water ingress in the conduit utilizing an IP68 cord grip with 3 wire holes 4 mm in diameter.

Type I & Type III Hinge System



Type I & Type III light distribution patterns use a multiple hinged housing design which allows you to correctly line up the beam pattern in your desired direction. By using one of the three available hinges you can position the fixture for optimal light output.

LED/HIGH BAY: NEC/CEC ENCLOSED AND GASKETED

APPLETON

± Other CCT options available upon request. Contact your local sales representative for more information.

Mercmaster™ LED Generation 3 Series Luminaires

Enclosed and Gasketed Fixtures

NEC/CEC:

Class I, Division 2, Groups A, B, C, D
 Class II, Division 1 and 2, Group E, F, G
 Class III
 Class I, Zone 2 AEx ec IIC
 Zone 21 AEx tb IIC
 Class I, Zone 2 Ex ec II

NEC/CEC:

Zone 21 Ex tb IIC
 Type 3R, 4, 4X
 IP66/IP67
 Simultaneous Exposure
 Suitable for Use in Wet Locations

NEC/CEC:

Marine Outside Type (Salt Water)
 American Bureau of Shipping (ABS) Certified
 International Dark Sky (IDA) Approved

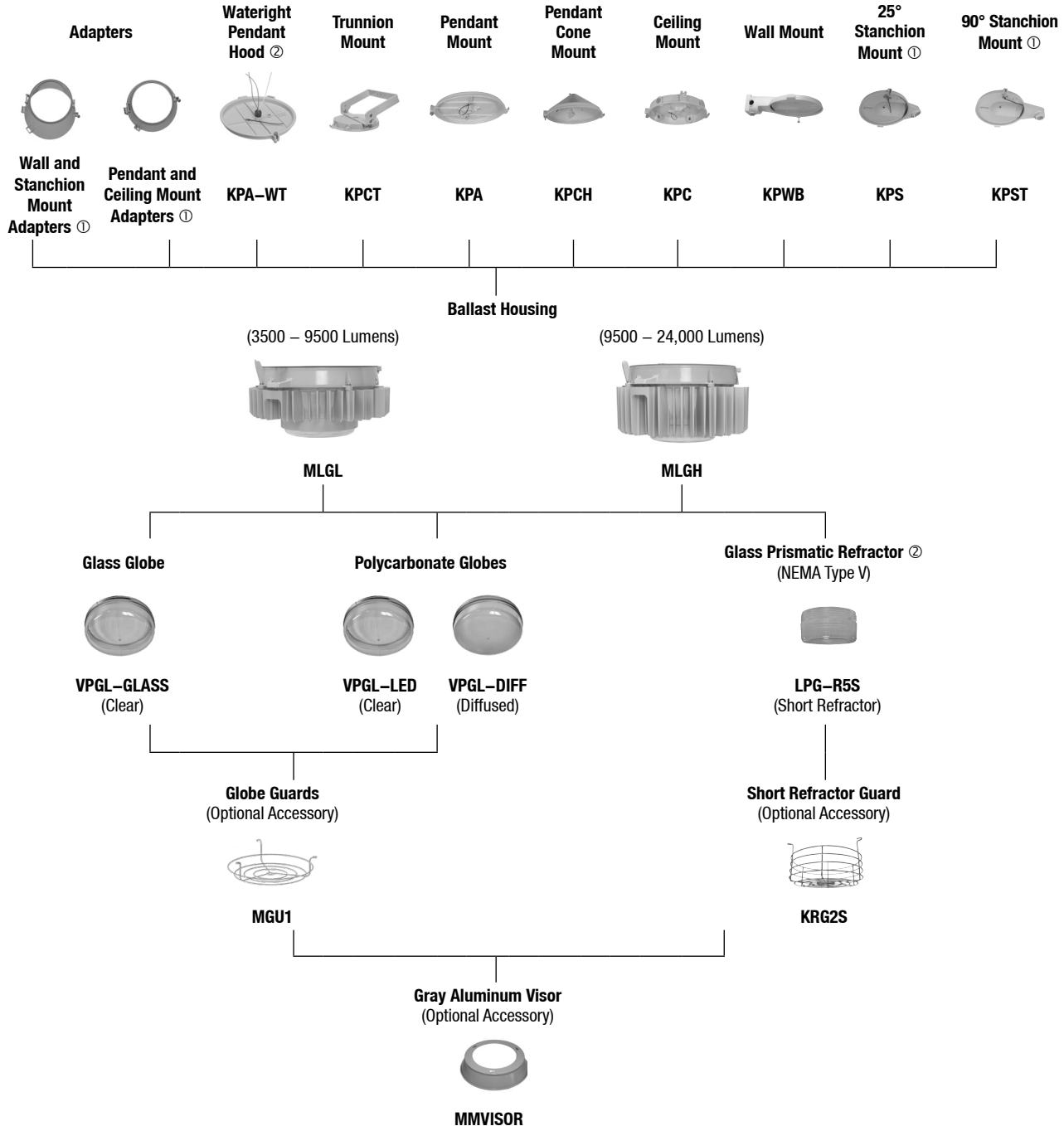
ATEX:

Zone 2 and 21/22
 II 3 G
 II 2 GD
 IP66
 IK08

IECEX:

Zone 2 and 21/22
 Ex ec IIC
 Ex tb IIC
 Ex tc IIC
 IP66
 IK08

Mercmaster™ LED Generation 3 Series Luminaires Family Tree



LED/HIGH BAY: NEC/CEC ENCLOSED AND GASKETED

APPLETON™

① See mounting hood section for part numbers.

② Certified for cCSAus only.

Mercmaster™ LED Generation 3 Series Luminaires

Enclosed and Gasketed Fixtures

NEC/CEC: Class I, Division 2, Groups A, B, C, D Class II, Division 1 and 2, Group E, F, G Class III Class I, Zone 2 AEx ec IIC Zone 21 AEx tb IIC Class I, Zone 2 Ex ec II	NEC/CEC: Zone 21 Ex tb IIC Type 3R, 4, 4X IP66/IP67 Simultaneous Exposure Suitable for Use in Wet Locations	NEC/CEC: Marine Outside Type (Salt Water) American Bureau of Shipping (ABS) Certified International Dark Sky (IDA) Approved	ATEX: Zone 2 and 21/22 II 3 G II 2 GD IP66 IK08	IECEX: Zone 2 and 21/22 Ex ec IIC Ex tb IIC Ex tc IIC IP66 IK08
---	---	---	---	--

Order using catalog numbering guides below or select catalog number from tables on following pages.

Catalog Numbering Guide – Hazardous Location Luminaires

MLG	A	L3	2	C	P	5	BU	F	1
Series: MLG - Mercmaster LED Generation 3 Series	Mounting: A - Pendant B - Watertight Pendant ▲ C - Ceiling ⑥ D - Pendant Cone ⑥ R - 90° Stanchion ① S - 25° Stanchion ① T - Trunnion K - Killark™ Adapter Universal ▲ U - Mercmaster II Adapter, Ceiling or Pendant ▲ V - Mercmaster II Adapter, Stanchion or Wall ▲ W - Wall X - Crouse Hinds™ Adapter, Ceiling or Pendant ▲ ⑦ Y - Crouse Hinds™ Adapter, Stanchion or Wall ▲ Blank - No mounting hood	Hub Size: 2 - 3/4" NPT 3 - 1" NPT 4 - 1-1/4" NPT stanchion 5 - 1-1/2" NPT stanchion 6 - Metric M20 Blank - If using adapter or no hood	Color Temperature: ‡ C - Cool, 5000K N - Neutral, 4000K W - Warm, 3000K	Light Distribution Pattern: 1 - Type I ② 3 - Type III ② 5 - Type V ② W - Type V Wide	Voltage: BU - 120-277 Vac, 50/60Hz; or 125-300 Vdc ⑧ BH - 347-480 Vac, 50/60 Hz ▲	Options: 1 - Photocontrol 120V ⑤ 2 - Photocontrol 208V ⑤ 3 - Photocontrol 240V ⑤ 4 - Photocontrol 277V ⑤ S - Additional surge to 10 kV ② A- High Ambient ④ Blank - No Options Chosen	Lumen (nominal): L3 - 3,500 L5 - 5,500 L7 - 7,500 L9 - 9,500 H9 - 9,500 ⑨ H1 - 11,500 H3 - 13,500 H6 - 17,500 X1 - 20,000 X5 - 24,000	Globe Material: P - Clear Polycarbonate Globe D - Diffused Polycarbonate Globe G - Clear Glass Globe ③ J - Glass Prismatic Refractor ⑩ ⑪	Options: ⑫ F - Fusing Blank - No fusing

① 3/4" NPT, 1" NPT and Metric M20 hub entries are not offered in this mounting option.
② 10 year warranty standard when ordered with light distribution pattern Type I, III or V Wide or additional (10 kV) surge protection (not available with high ambient options). 10 kV surge is not rated for ATEX/IECEX.
③ Guards for the glass refractors and globes are ordered separately. See the Accessories for more information.
④ See details in T-Codes tables for specific model numbers.
⑤ Luminaires with photocontrol are not rated IP66/67, Class II, 3R, 4, 4X, or Marine Outside Type (Salt Water). Photocontrol available for 120-277 Vac only. Factory installed in the mounting hood. Photocontrols only certified for cCSAus.
⑥ Ceiling-mount and pendant cone mounting hoods and adapters are not designed to use the in hood photocontrol. Ceiling and pendant cone mounts must use an FS/FD box with photocontrol.

⑦ Only allowed for Type V and Type V wide light distribution.
⑧ For 125-170 Vdc, operating temperature range is -40°C to +55°C (-40°F to +131°F) (lower range applies to IECEx/ATEX only).
⑨ H9 only available with High Ambient option (A).
⑩ J - Glass prismatic refractor is only available in light distribution pattern Type V. Refractor is not rated for ATEX/IECEX.
⑪ Fusing only permitted for NEC/CEC rating. Factory installed. Use of fuse voids Marine Outside Type (Salt Water) rating. Fusing is mounted in the driver housing.
⑫ Other CCT options available upon request. Contact your local sales representative for more information.
▲ Adapters, watertight pendant hood and BH Voltage only certified for NEC/CEC.

LED/HIGH BAY: NEC/CEC ENCLOSED AND GASKETED

APPLETON™

Mercmaster™ LED Generation 3 Series Luminaires

Enclosed and Gasketed Fixtures

NEC/CEC:

Class I, Division 2, Groups A, B, C, D
 Class II, Division 1 and 2, Group E, F, G
 Class III
 Class I, Zone 2 AEx ec IIC
 Zone 21 AEx tb IIC
 Class I, Zone 2 Ex ec II

NEC/CEC:

Zone 21 Ex tb IIC
 Type 3R, 4, 4X
 IP66/IP67
 Simultaneous Exposure
 Suitable for Use in Wet Locations

NEC/CEC:

Marine Outside Type (Salt Water)
 American Bureau of Shipping (ABS) Certified
 International Dark Sky (IDA) Approved

ATEX:

Zone 2 and 21/22
 II 3 G
 II 2 GD
 IP66
 IK08

IECEx:

Zone 2 and 21/22
 Ex ec IIC
 Ex tb IIC
 Ex tc IIC
 IP66
 IK08

Lumen Values Table ①②

Lumen Output (Efficacy) for Clear Polycarbonate Globe										
	CCT/CRI	MLGL3	MLGL5	MLGL7	MLGL9 / MLGH9	MLGH1	MLGH3	MLGH6	MLGX1	MLGX5
Type I	5000K/70	3200 (107)	4800 (104)	7500 (132)	9400 (125)	11500 (124)	13800 (120)	16900 (117)	18338 (109)	21048 (100)
Type III	5000K/70	3500 (117)	5200 (113)	7900 (139)	9800 (131)	12000 (129)	14500 (126)	17500 (121)	19096 (113)	21779 (104)
Type V	5000K/70	3800 (127)	5700 (124)	8500 (149)	10800 (144)	13200 (142)	15900 (138)	19100 (132)	21019 (124)	24947 (119)
Type V Wide	5000K/70	3600 (119)	6000 (129)	7700 (135)	10300 (131)	11800 (127)	14300 (124)	17400 (120)	19054 (113)	22794 (109)
Type I	4000K/80	3000 (100)	4200 (91)	6600 (116)	8400 (112)	10200 (110)	12300 (107)	15100 (104)	17366 (103)	19932 (95)
Type III	4000K/80	3000 (100)	4600 (100)	7000 (123)	8800 (117)	10700 (115)	12900 (112)	15600 (108)	18084 (107)	20625 (98)
Type V	4000K/80	3300 (110)	5000 (109)	7500 (132)	9700 (129)	11800 (127)	14200 (123)	17100 (118)	19863 (118)	23575 (112)
Type V Wide	4000K/80	2900 (97)	4800 (105)	6800 (119)	8700 (116)	10500 (113)	12700 (110)	15500 (107)	18044 (107)	21586 (103)
Type I	3000K/80	2600 (87)	3800 (83)	6000 (105)	7800 (104)	9500 (102)	11400 (99)	13900 (96)	16431 (97)	18859 (90)
Type III	3000K/80	2800 (93)	4100 (89)	6300 (111)	8900 (112)	10700 (109)	11900 (103)	14900 (104)	17110 (101)	19514 (93)
Type V	3000K/80	3000 (100)	4500 (98)	6800 (119)	8900 (119)	10900 (117)	13100 (114)	16300 (113)	18623 (110)	22103 (105)
Type V Wide	3000K/80	2900 (96)	4400 (94)	6200 (109)	8600 (110)	9700 (104)	11700 (102)	14700 (102)	17072 (101)	20424 (97)

Lumen Output (Efficacy) for Clear Glass Globe										
	CCT/CRI	MLGL3	MLGL5	MLGL7	MLGL9 / MLGH9	MLGH1	MLGH3	MLGH6	MLGX1	MLGX5
Type I	5000K/70	3500 (117)	5300 (115)	8000 (140)	9900 (132)	12000 (129)	14500 (126)	17700 (122)	19206 (114)	21777 (104)
Type III	5000K/70	3700 (123)	5400 (117)	8300 (146)	10400 (139)	12600 (135)	15300 (133)	18400 (127)	20057 (119)	22754 (108)
Type V	5000K/70	4000 (133)	6000 (130)	8200 (139)	11200 (149)	13600 (146)	16400 (143)	20100 (137)	21937 (130)	26070 (124)
Type V Wide	5000K/70	3600 (120)	5400 (117)	8200 (144)	10300 (137)	12500 (134)	15100 (131)	18200 (126)	19944 (118)	23809 (113)
Type I	4000K/80	3100 (103)	4600 (100)	7100 (125)	8800 (117)	10700 (115)	12900 (112)	15700 (108)	18188 (108)	20623 (98)
Type III	4000K/80	3200 (107)	4800 (104)	7300 (128)	9300 (124)	11300 (122)	13600 (118)	16400 (113)	18994 (112)	21548 (103)
Type V	4000K/80	3600 (120)	5300 (115)	7600 (127)	10100 (135)	12300 (132)	14900 (130)	18000 (124)	21366 (126)	25392 (121)
Type V Wide	4000K/80	3200 (107)	4800 (104)	7300 (128)	9200 (123)	11200 (120)	13500 (117)	16300 (112)	18887 (112)	22547 (107)
Type I	3000K/80	2800 (93)	4200 (91)	6400 (112)	8500 (111)	9900 (106)	12000 (104)	14500 (100)	17170 (102)	19468 (93)
Type III	3000K/80	3100 (102)	4400 (96)	6600 (116)	8600 (115)	11200 (115)	12600 (110)	15100 (104)	17931 (106)	20342 (97)
Type V	3000K/80	3100 (102)	4800 (104)	7100 (120)	9300 (124)	11400 (123)	13700 (119)	17000 (117)	20006 (118)	23776 (113)
Type V Wide	3000K/80	3100 (101)	4600 (99)	6600 (116)	8500 (113)	10300 (111)	12500 (109)	15000 (103)	17830 (106)	21285 (101)

① All lumen values are typical (tolerance +/-10%).

② Diffused polycarbonate globe can be used with Type I, III and V wide. Refer to photometric files for lumen output information.

Mercmaster™ LED Generation 3 Series Luminaires

Enclosed and Gasketed Fixtures

NEC/CEC:

Class I, Division 2, Groups A, B, C, D
 Class II, Division 1 and 2, Group E, F, G
 Class III
 Class I, Zone 2 AEx ec IIC
 Zone 21 AEx tb IIC
 Class I, Zone 2 Ex ec II

NEC/CEC:

Zone 21 Ex tb IIC
 Type 3R, 4, 4X
 IP66/IP67
 Simultaneous Exposure
 Suitable for Use in Wet Locations

NEC/CEC:

Marine Outside Type (Salt Water)
 American Bureau of Shipping (ABS) Certified
 International Dark Sky (IDA) Approved

ATEX:

Zone 2 and 21/22
 Ⓢ II 3 G
 Ⓢ II 2 GD
 IP66
 IK08

IECEX:

Zone 2 and 21/22
 Ex ec IIC
 Ex tb IIC
 Ex tc IIC
 IP66
 IK08

Lumen Values Table ①②

Lumen Output (Efficacy) for Diffused Polycarbonate Globe										
	CCT/CRI	MLGL3	MLGL5	MLGL7	MLGL9 / MLGH9	MLGH1	MLGH3	MLGH6	MLGX1	MLGX5
Type I	5000K/70	3200 (108)	4900 (107)	6900 (122)	9300 (118)	11100 (115)	12900 (114)	15700 (109)	17377 (103)	19939 (95)
Type III	5000K/70	3300 (112)	5100 (110)	7200 (126)	9700 (124)	11700 (121)	13600 (120)	16500 (115)	18083 (107)	20623 (98)
Type V	5000K/70	3700 (123)	5500 (120)	8300 (129)	10300 (137)	12500 (134)	15100 (131)	18200 (126)	20063 (119)	23888 (114)
Type V Wide	5000K/70	3400 (113)	5100 (110)	7200 (126)	9700 (124)	11700 (121)	13700 (120)	16600 (116)	18007 (107)	21489 (102)
Type I	4000K/80	2900 (95)	4400 (94)	6600 (109)	8300 (106)	10000 (104)	11600 (103)	14000 (99)	16491 (98)	18922 (90)
Type III	4000K/80	3000 (101)	4600 (100)	6900 (114)	8800 (113)	10600 (110)	12400 (109)	15000 (105)	17161 (102)	19571 (93)
Type V	4000K/80	3200 (107)	4800 (104)	7300 (128)	9200 (123)	11200 (120)	13500 (117)	17000 (118)	19260 (114)	22932 (109)
Type V Wide	4000K/80	3000 (101)	4600 (100)	6600 (115)	8700 (111)	10400 (109)	12100 (107)	14800 (104)	17089 (101)	20393 (97)
Type I	3000K/80	2700 (87)	4000 (85)	6000 (101)	8000 (101)	9600 (98)	10900 (96)	13200 (93)	15587 (92)	17885 (85)
Type III	3000K/80	2800 (92)	4200 (91)	6400 (108)	8400 (106)	10100 (104)	11700 (103)	14200 (99)	16221 (96)	18499 (88)
Type V	3000K/80	2900 (97)	4400 (96)	6600 (116)	8500 (113)	10300 (111)	12500 (109)	15800 (109)	18036 (107)	21475 (102)
Type V Wide	3000K/80	2800 (91)	4200 (90)	6200 (105)	8200 (105)	9900 (102)	11500 (101)	14000 (97)	16153 (96)	19275 (92)

Lumen Output (Efficacy) for Prismatic Refractor										
	CCT/CRI	MLGL3	MLGL5	MLGL7	MLGL9 / MLGH9	MLGH1	MLGH3	MLGH6	MLGX1	MLGX5
Type V	5000K/70	3400 (111)	5100 (110)	7300 (123)	9700 (124)	11700 (121)	13600 (120)	16700 (116)	18318 (108)	21769 (104)
Type V	4000K/80	3000 (101)	4600 (99)	6700 (113)	8800 (112)	10600 (110)	12400 (109)	15100 (105)	17915 (106)	21290 (101)
Type V	3000K/80	2800 (91)	4200 (90)	6300 (107)	8400 (107)	10100 (105)	11800 (104)	14500 (100)	16798 (99)	19962 (95)

① All lumen values are typical (tolerance +/-10%).

② Diffused polycarbonate globe can be used with Type I, III and V wide. Refer to photometric files for lumen output information.

Mercmaster™ LED Generation 3 Series Luminaires

Enclosed and Gasketed Fixtures

NEC/CEC:
 Class I, Division 2, Groups A, B, C, D
 Class II, Division 1 and 2, Group E, F, G
 Class III
 Class I, Zone 2 AEx ec IIC
 Zone 21 AEx tb IIC
 Class I, Zone 2 Ex ec II

NEC/CEC:
 Zone 21 Ex tb IIIC
 Type 3R, 4, 4X
 IP66/IP67
 Simultaneous Exposure
 Suitable for Use in Wet Locations

NEC/CEC:
 Marine Outside Type (Salt Water)
 American Bureau of Shipping (ABS) Certified
 International Dark Sky (IDA) Approved

ATEX:
 Zone 2 and 21/22
 Ⓜ II 3 G
 Ⓜ II 2 GD
 IP66
 IK08

IECEx:
 Zone 2 and 21/22
 Ex ec IIC
 Ex tb IIIC
 Ex tc IIIC
 IP66
 IK08

Electrical Ratings ①

Voltage	Input Power	Input Current (Amp)	Power Factor	THD	Model
MLGL3					
120 Vac	30	0.26			
277 Vac	30	0.12	>0.9	< 20%	BU
170 Vdc	30	0.18	N/A	N/A	
300 Vdc	31	0.10			
347 Vac	33	0.10	>0.9	< 20%	BH
480 Vac	33	0.07			
MLGL5					
120 Vac	46	0.39			
277 Vac	46	0.17	>0.9	< 20%	BU
170 Vdc	46	0.27	N/A	N/A	
300 Vdc	46	0.16			
347 Vac	49	0.14	>0.9	< 20%	BH
480 Vac	49	0.11			
MLGL7					
120 Vac	57	0.48			
277 Vac	57	0.23	>0.9	< 20%	BU
170 Vdc	57	0.34	N/A	N/A	
300 Vdc	57	0.19			
347 Vac	60	0.18	>0.9	< 20%	BH
480 Vac	60	0.14			
MLGL9/MLGH9					
120 Vac	75	0.64			
277 Vac	75	0.29	>0.9	< 20%	BU
170 Vdc	75	0.45	N/A	N/A	
300 Vdc	75	0.25			
347 Vac	79	0.23	>0.9	< 20%	BH
480 Vac	79	0.17			
MLGH1					
120 Vac	93	0.79			
277 Vac	93	0.35	>0.9	< 20%	BU
170 Vdc	93	0.55	N/A	N/A	
300 Vdc	93	0.31			
347 Vac	97	0.28	>0.9	< 20%	BH
480 Vac	97	0.21			

Voltage	Input Power	Input Current (Amp)	Power Factor	THD	Model
MLGH3					
120 Vac	115	0.99			
277 Vac	115	0.44	>0.9	< 20%	BU
170 Vdc	115	0.68	N/A	N/A	
300 Vdc	115	0.38			
347 Vac	118	0.34	>0.9	< 20%	BH
480 Vac	118	0.25			
MLGH6					
120 Vac	145	1.24			
277 Vac	145	0.54	>0.9	< 20%	BU
170 Vdc	145	0.86	N/A	N/A	
300 Vdc	145	0.48			
347 Vac	145	0.42	>0.9	< 20%	BH
480 Vac	145	0.31			
MLGX1					
120 Vac	169	1.43			
277 Vac	165	0.63	>0.9	< 20%	BU
170 Vdc	169	1.30	N/A	N/A	
300 Vdc	166	0.64			
347 Vac	171	0.50	>0.9	< 20%	BH
480 Vac	170	0.37			
MLGX5					
120 Vac	210	1.79			
277 Vac	204	0.82	>0.9	< 20%	BU
170 Vdc	209	1.60	N/A	N/A	
300 Vdc	203	0.76			
347 Vac	209	0.61	>0.9	< 20%	BH
480 Vac	209	0.45			

LED/HIGH BAY: NEC/CEC ENCLOSED AND GASKETED

APPLETON™

① All lumen values are typical (tolerance +/-10%).

Mercmaster™ LED Generation 3 Series Luminaires

Enclosed and Gasketed Fixtures

NEC/CEC:

Class I, Division 2, Groups A, B, C, D
Class II, Division 1 and 2, Group E, F, G
Class III
Class I, Zone 2 AEx ec IIC
Zone 21 AEx tb IIIC
Class I, Zone 2 Ex ec II

NEC/CEC:

Zone 21 Ex tb IIIC
Type 3R, 4, 4X
IP66/IP67
Simultaneous Exposure
Suitable for Use in Wet Locations

NEC/CEC:

Marine Outside Type (Salt Water)
American Bureau of Shipping (ABS) Certified
International Dark Sky (IDA) Approved

ATEX:

Zone 2 and 21/22
II 3 G
II 2 GD
IP66
IK08

IECEx:

Zone 2 and 21/22
Ex ec IIC
Ex tb IIC
Ex tc IIC
IP66
IK08

NEC/CEC Temperature Codes ①

Ambient Temperature °C (°F)	Supply wire Temperature °C (°F)	Class I, Division 2 Groups A, B, C, D	Class I, Zone 2 Group IIC	Class II, Division 1 Groups E, F, G	Zone 21, Group IIIC	Class I, Division 2 and Class II, Division 1	Model Number
40 (104)		T4A	T4	T6	T6	T4A	
55 (131)	90 (194)	T4A	T4	T5	T5	T4A	MLGL3
65 (149)		T4	T4	T5	T5	T4	
75 (167)	90 (194)	T4	T4	T4A	T4	T3C	MLGL3 - A
40 (104)		T4A	T4	T6	T6	T4A	
55 (131)	90 (194)	T4	T4	T5	T5	T4	MLGL5
65 (149)		T3C	T3	T5	T5	T3C	
75 (167)	90 (194)	T3C	T3	T4A	T4	T3C	MLGL5 - A
40 (104)		T4A	T4	T6	T6	T4A	
55 (131)	90 (194)	T4A	T4	T5	T6	T4	MLGL7
65 (149)		T4	T4	T5	T6	T3C	
70 (158)		T4	T4	T5	T5	T3C	
75 (167)	90 (194)	T4	T4	T4A	T4	T3C	MLGL7 - A
40 (104)		T4A	T4	T6	T6	T4A	
55 (131)	90 (194)	T4	T4	T5	T5	T4	MLGL9
65 (149)		T4	T4	T5	T5	T4	
70 (158)	90 (194)	T3C	T3	T5	T5	T3C	MLGL9 - A
40 (104)		T4	T4	T6	T6	T4	
55 (131)	90 (194)	T3C	T3	T6	T6	T3C	MLGH9
65 (149)		T3C	T3	T6	T5	T3C	
70 (158)	90 (194)	T3C	T3	T5	T6	T3C	MLGH9 - A
40 (104)		T3C	T3	T6	T6	T3C	
55 (131)	90 (194)	T3C	T3	T6	T6	T3C	MLGH1
65 (149)		T3C	T3	T6	T6	T3C	
70 (158)	90 (194)	T3B	T3	T5	T5	T3B	MLGH1 - A
40 (104)		T3C	T3	T6	T6	T3C	
55 (131)	90 (194)	T3B	T3	T6	T6	T3B	MLGH3
65 (149)		T3A	T3	T6	T5	T3A	
70 (158)	90 (194)	T3A	T3	T5	T5	T3A	MLGH3 - A
40 (104)		T3A	T3	T6	T6	T3A	
55 (131)	90 (194)	T3A	T3	T6	T6	T3A	MLGH6
65 (149)		T3	T3	T5	T5	T3	
40 (104)	90 (194)	T3C	T3	T6	T6	T3C	MLGX1
60 (140)		T3A	T3	T5	T5	T3A	
40 (104)	90 (194)	T3B	T3	T6	T6	T3B	MLGX5
55 (131)		T3A	T3	T5	T5	T3A	

"T" Numbers Represent the Maximum Internal Temperature ② or Maximum Surface Temperature ③

"T" #	NEC/CEC															
	T1	350	325	T2	T2A	T2B	T2C	T2D	T3	T3A	T3B	T3C	T4	T4A	T5	T6
Temp. Range °C (°F)	351 - 450 (664 - 842)	326 - 350 (619 - 662)	301 - 325 (574 - 617)	281 - 300 (538 - 572)	261 - 280 (448 - 500)	231 - 260 (448 - 500)	216 - 230 (421 - 446)	201 - 215 (394 - 419)	181 - 200 (358 - 392)	166 - 180 (331 - 356)	161 - 165 (322 - 329)	136 - 160 (277 - 320)	121 - 135 (250 - 275)	101 - 120 (214 - 248)	86 - 100 (187 - 212)	- 85 (185)

① Ambient Temperature Range: -40 °C to +65 °C (-40 °F to +149 °F).

② T numbers represent the maximum internal temperature for Class I, Division 2 and Class I, Zone 2 locations designated by the NEC.

③ T numbers represent the maximum surface temperature under a dust blanket for Class II, Division 1 and Class I, Zone 2 as designated by the NEC or Zone 2 (Gas) and 22 (Dust) locations as designated by the IEC.

Mercmaster™ LED Generation 3 Series Luminaires

Enclosed and Gasketed Fixtures

NEC/CEC:

Class I, Division 2, Groups A, B, C, D
Class II, Division 1 and 2, Group E, F, G
Class III
Class I, Zone 2 AEx ec IIC
Zone 21 AEx tb IIC
Class I, Zone 2 Ex ec II

NEC/CEC:

Zone 21 Ex tb IIC
Type 3R, 4, 4X
IP66/IP67
Simultaneous Exposure
Suitable for Use in Wet Locations

NEC/CEC:

Marine Outside Type (Salt Water)
American Bureau of Shipping (ABS) Certified
International Dark Sky (IDA) Approved

ATEX:

Zone 2 and 21/22
II 3 G
II 2 GD
IP66
IK08

IECEX:

Zone 2 and 21/22
Ex ec IIC
Ex tb IIC
Ex tc IIC
IP66
IK08

ATEX/IECEX Temperature Codes ①

Ambient Temperature °C (°F)	T-Code for Zone 2	T-Code for Zone 21/22	Model Series ②
40 (104)	T4	T81°C	
55 (131)	T4	T88°C	MLGL3
65 (149)	T4	T94°C	
75 (167)	—	—	MLGL3 - A
40 (104)	T4	T81°C	
55 (131)	T4	T88°C	MLGL5
65 (149)	T3	T94°C	
75 (167)	—	—	MLGL5 - A
40 (104)	T4	T81°C	
55 (131)	T4	T88°C	
65 (149)	T4	T94°C	MLGL7
70 (158)	T4	T99°C	
75 (167)	—	—	MLGL7 - A
40 (104)	T4	T81°C	
55 (131)	T4	T88°C	MLGL9
65 (149)	T4	T94°C	
70 (158)	—	—	MLGL9 - A
40 (104)	T4	T61°C	
55 (131)	T3	T74°C	MLGH9
65 (149)	T3	T83°C	
70 (158)	T3	T88°C	MLGH9 - A
40 (104)	T3	T64°C	
55 (131)	T3	T77°C	MLGH1
65 (149)	T3	T83°C	
70 (158)	T3	T88°C	MLGH1 - A
40 (104)	T4	T66°C	
55 (131)	T3	T79°C	MLGH3
65 (149)	T3	T86°C	
70 (158)	—	—	MLGH3 - A
40 (104)	T3	T71°C	
55 (131)	T3	T84°C	MLGH6
65 (149)	T3	T95°C	
40 (104)	T3	T82°C	
60 (140)	T3	T102°C	MLGX1
40 (104)	T3	T92°C	
55 (131)	T3	T104°C	MLGX5

“T” Numbers Represent the Maximum Internal Temperature or Maximum Surface Temperature

“T” #	ATEX/IECEX					
	T1	T2	T3	T4	T5	T6
Temp. Range °C (°F)	301-450 (547-842)	201-300 (394-572)	136-200 (277-392)	101-135 (214-275)	86-100 (187-212)	85 (185)

① For 125-170 Vdc, operating Temp. range is -40°C to +55°C (For IECEX/ATEX only). NEC/CEC operating temp remains -40°C to +65°C (-40 °F to +149 °F) for full Vdc range.

② -A suffix denotes High Ambient rating.

Mercmaster™ LED Generation 3 Series Luminaires

Enclosed and Gasketed Fixtures

NEC/CEC:

Class I, Division 2, Groups A, B, C, D
 Class II, Division 1 and 2, Group E, F, G
 Class III
 Class I, Zone 2 AEx ec IIC
 Zone 21 AEx tb IIC
 Class I, Zone 2 Ex ec II

NEC/CEC:

Zone 21 Ex tb IIC
 Type 3R, 4, 4X
 IP66/IP67
 Simultaneous Exposure
 Suitable for Use in Wet Locations

NEC/CEC:

Marine Outside Type (Salt Water)
 American Bureau of Shipping (ABS) Certified
 International Dark Sky (IDA) Approved

ATEX:

Zone 2 and 21/22
 II 3 G
 II 2 GD
 IP66
 IK08

IECEx:

Zone 2 and 21/22
 Ex ec IIC
 Ex tb IIC
 Ex tc IIC
 IP66
 IK08

Catalog Number for Driver Housing and Globe or Refractor

Lumen Level	CCT	Optics	Clear Polycarbonate Globe	Polycarbonate Diffused Globe	Clear Glass Globe	Refractor
			①②③④⑤	①②③④⑤	①②③④⑤	①②③④⑤
3K	5000K	Type I	MLGL3CP1	MLGL3CD1	MLGL3CG1	—
		Type III	MLGL3CP3	MLGL3CD3	MLGL3CG3	—
		Type V	MLGL3CP5	MLGL3CD5	MLGL3CG5	MLGL3CJ5
		Type V Wide	MLGL3CPW	MLGL3CDW	MLGL3CGW	—
5K	5000K	Type I	MLGL5CP1	MLGL5CD1	MLGL5CG1	—
		Type III	MLGL5CP3	MLGL5CD3	MLGL5CG3	—
		Type V	MLGL5CP5	MLGL5CD5	MLGL5CG5	MLGL5CJ5
		Type V Wide	MLGL5CPW	MLGL5CDW	MLGL5CGW	—
7K	5000K	Type I	MLGL7CP1	MLGL7CD1	MLGL7CG1	—
		Type III	MLGL7CP3	MLGL7CD3	MLGL7CG3	—
		Type V	MLGL7CP5	MLGL7CD5	MLGL7CG5	MLGL7CJ5
		Type V Wide	MLGL7CPW	MLGL7CDW	MLGL7CGW	—
9K	5000K	Type I	MLGL9CP1/MLGH9CP1	MLGL9CD1/MLGH9CD1	MLGL9CG1/MLGH9CG1	—
		Type III	MLGL9CP3/MLGH9CP3	MLGL9CD3/MLGH9CD3	MLGL9CG3/MLGH9CG3	—
		Type V	MLGL9CP5/MLGH9CP5	MLGL9CD5/MLGH9CD5	MLGL9CG5/MLGH9CG5	MLGL9CJ5/MLGH9CJ5
		Type V Wide	MLGL9CPW/MLGH9CPW	MLGL9CDW/MLGH9CDW	MLGL9CGW/MLGH9CGW	—
11K	5000K	Type I	MLGH1CP1	MLGH1CD1	MLGH1CG1	—
		Type III	MLGH1CP3	MLGH1CD3	MLGH1CG3	—
		Type V	MLGH1CP5	MLGH1CD5	MLGH1CG5	MLGH1CJ5
		Type V Wide	MLGH1CPW	MLGH1CDW	MLGH1CGW	—
13K	5000K	Type I	MLGH3CP1	MLGH3CD1	MLGH3CG1	—
		Type III	MLGH3CP3	MLGH3CD3	MLGH3CG3	—
		Type V	MLGH3CP5	MLGH3CD5	MLGH3CG5	MLGH3CJ5
		Type V Wide	MLGH3CPW	MLGH3CDW	MLGH3CGW	—
17K	5000K	Type I	MLGH6CP1	MLGH6CD1	MLGH6CG1	—
		Type III	MLGH6CP3	MLGH6CD3	MLGH6CG3	—
		Type V	MLGH6CP5	MLGH6CD5	MLGH6CG5	MLGH6CJ5
		Type V Wide	MLGH6CPW	MLGH6CDW	MLGH6CGW	—
20K	5000K	Type I	MLGX1CP1	MLGX1CD1	MLGX1CG1	—
		Type III	MLGX1CP3	MLGX1CD3	MLGX1CG3	—
		Type V	MLGX1CP5	MLGX1CD5	MLGX1CG5	MLGX1CJ5
		Type V Wide	MLGX1CPW	MLGX1CDW	MLGX1CGW	—
24K	5000K	Type I	MLGX5CP1	MLGX5CD1	MLGX5CG1	—
		Type III	MLGX5CP3	MLGX5CD3	MLGX5CG3	—
		Type V	MLGX5CP5	MLGX5CD5	MLGX5CG5	MLGX5CJ5
		Type V Wide	MLGX5CPW	MLGX5CDW	MLGX5CGW	—

① For 120-277 Vac, 50/60Hz, add suffix **-BU** to catalog number. For 347-480 Vac, 50/60Hz, add suffix **-BH** to catalog number.
 ② For other CCT options, change the 6th digit in part number from "C" to "W" for Warm 3000K CCT, "R" for Mid-Warm 3500K CCT, "N" for Neutral 4000K CCT, or "M" for Mid-Neutral 4500K CCT. Example: **MLGL7CP5BU** to "W" for Warm, **MLGL7WP5BU**.
 ③ Guards are available for fixtures with globe or refractor. See following pages for accessory ordering information.
 ④ For fusing add "F" to end of catalog number. Example: **MLGL7CP5BUF**.
 Use of fuse voids Marine Outside Type (Salt Water) rating. Only available for cCSAus rating.
 ⑤ For additional 10 kV of surge, add "S" to the end of catalog number. Example: **MLGH6CD5BUS**.
 ⑥ MLGH9 only available with certified High Ambient option (A).

Mercmaster™ LED Generation 3 Series Luminaires

Enclosed and Gasketed Fixtures

NEC/CEC:

Class I, Division 2, Groups A, B, C, D
Class II, Division 1 and 2, Group E, F, G
Class III
Class I, Zone 2 AEx ec IIC
Zone 21 AEx tb IIIC
Class I, Zone 2 Ex ec II

NEC/CEC:

Zone 21 Ex tb IIIC
Type 3R, 4, 4X
IP66/IP67
Simultaneous Exposure
Suitable for Use in Wet Locations

NEC/CEC:

Marine Outside Type (Salt Water)
American Bureau of Shipping (ABS) Certified
International Dark Sky (IDA) Approved









ATEX:

Zone 2 and 21/22
II 3 G
II 2 GD
IP66
IK08

IECEX:

Zone 2 and 21/22
Ex ec IIC
Ex tb IIIC
Ex tc IIIC
IP66
IK08

Mounting Hoods

	Description Weight in kg (lbs)	Hub Size	Catalog Number
Pendant			
	One Hub, Rigid Mounting 1.0 (2.3)	3/4 1 M20	KPA-75 KPA-100 KPA-M20
Watertight Pendant Hood			
	One Hub	3/4 1	KPA-75-WT KPA-100-WT
Pendant Cone			
	One Hub, Rigid Mounting 1.1 (2.5)	3/4 1 M20	KPCH-75 KPCH-100 KPCH-M20
Trunion			
	Five Hubs, Four Close-Up Plugs	3/4 1	KPCT-75 KPCT-100
Ceiling			
	Five Hubs, Four Close-Up Plugs 1.4 (3.0)	3/4 1 M20	KPC-75 KPC-100 KPC-M20
Wall			
	Five Hubs, Four Close-Up Plugs 1.8 (4.0)	3/4 1 M20	KPWB-75 KPWB-100 KPWB-M20
25° Stanchion			
	One Hub 1.5 (3.3)	1-1/4 1-1/2	KPS-125 KPS-150
90° Stanchion			
	One Hub 1.7 (3.8)	1-1/4 1-1/2	KPST-125 KPST-150

LED/HIGH BAY- NEC/CEC ENCLOSED AND GASKETED






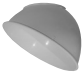

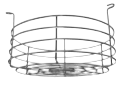





APPLETON™

Mercmaster™ LED Generation 3 Series Luminaires

Enclosed and Gasketed Fixtures

NEC/CEC: Class I, Division 2, Groups A, B, C, D Class II, Division 1 and 2, Group E, F, G Class III Class I, Zone 2 AEx ec IIC Zone 21 AEx tb IIIC Class I, Zone 2 Ex ec II	NEC/CEC: Zone 21 Ex tb IIIC Type 3R, 4, 4X IP66/IP67 Simultaneous Exposure Suitable for Use in Wet Locations	NEC/CEC: Marine Outside Type (Salt Water) American Bureau of Shipping (ABS) Certified International Dark Sky (IDA) Approved	ATEX: Zone 2 and 21/22 II 3 G II 2 GD IP66 IK08	IECEx: Zone 2 and 21/22 Ex ec IIC Ex tb IIIC Ex tc IIIC IP66 IK08
--	--	---	---	--

Accessories and Replacement Parts

		Description	Catalog Number
Globes			
		Clear Globe (polycarbonate)	VPGL-LED
		Diffused Globe (polycarbonate)	VPGL-DIFF
		Glass Globe	VPGL-GLASS
		Light Distribution	Catalog Number
Closed Prismatic Glass Refractors — All Heat-Resistant			
		Short Prismatic Glass Refractor NEMA Type V	LPG-R5S
Short Refractor ②	Tall Refractor ②	Tall Prismatic Glass Refractor NEMA Type V	LPG-R5
		Description	Catalog Number
Reflector			
		30° Angle White Polyester Reflectors	CMR-4AN
30° Angle			
Guards			
			
Glass Globe Guard	Short Refractor Guard	Tall Refractor Guard	
		Glass Globe Guard	MGU1
		Short Refractor Guard for LPG-R5S	KRG2S
		Tall Refractor Guard for LPG-R5	KRG2
Safety Cable			
		Stainless steel	LEDSC
Visor			
		Electrostatically applied gray epoxy powder coat finish on Aluminum Visor	MMVISOR
Mounting Hood Adapters ①			
	Manufacturer	Installed Mounting Hood	Appleton Adapter Catalog Number
	Crouse-Hinds™ Champ®	APM2/3 - Pendant CM2/3 - Ceiling HPM2 - Flexible Pendant	MMADCHVS
	Appleton™ Mercmaster™ II	LPA75/100 - Pendant LPC75/100 - Ceiling TWM2/3 - Wall	MMADIIS
	Crouse-Hinds™ Champ®	JM5 - 25° Angle Stanchion PM5 - 90° Straight Stanchion	MMADCHVA
	Appleton™ Mercmaster™ II	LPWB75, LPWB100 - Wall LPS125, LPS150 - 25° Angle Stanchion	MMADIIA
	Killark™	VMX2B, VMX3B, VMX6B, VMX7B, VMX9B - Ceiling VMA2B, VMA3B - Pendant VMD4B, VMD5B, VMS4B, VMS5B - Stanchion VMB2B, VMB3B - Wall VMC2B, VMC3B - Pendant Cone	MMADKVA

① Adapters are cCSAus rated only

② Glass Prismatic Refractor is cCSAus rated only.

Mercmaster™ LED Generation 3 Series Luminaires

Enclosed and Gasketed Fixtures

NEC/CEC:

Class I, Division 2, Groups A, B, C, D
 Class II, Division 1 and 2, Group E, F, G
 Class III
 Class I, Zone 2 AEx ec IIC
 Zone 21 AEx tb IIIC
 Class I, Zone 2 Ex ec II

NEC/CEC:

Zone 21 Ex tb IIIC
 Type 3R, 4, 4X
 IP66/IP67
 Simultaneous Exposure
 Suitable for Use in Wet Locations

NEC/CEC:

Marine Outside Type (Salt Water)
 American Bureau of Shipping (ABS) Certified
 International Dark Sky (IDA) Approved




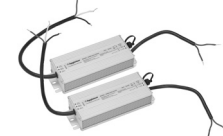
ATEX:

Zone 2 and 21/22
 II 3 G
 II 2 GD
 IP66
 IK08

IECEx:

Zone 2 and 21/22
 Ex ec IIC
 Ex tb IIIC
 Ex tc IIIC
 IP66
 IK08

Replacement Drivers

	Voltage	Driver Wattage	Luminaire Model	Constant Current Settings	Catalog Number
	BU	50 Watt	MLGL3	500mA	APMS050C135UD50
	BH			500mA	APMS050C135HD50
	BU	50 Watt	MLGL5	780mA	APMS050C135UD78
	BH			780mA	APMS050C135HD78
	BU	100 Watt	MLGL7	360mA	APMS100C105UD36
	BH			360mA	APMS100C105HD36
	BU	100 Watt	MLGL9/ MLGH9	480mA	APMS100C105UD48
	BH			480mA	APMS100C105HD48
	BU	100 Watt	MLGH1	595mA	APMS100C105UD59
	BH			595mA	APMS100C105HD59
	BU	150 Watt	MLGH3	720mA	APMS150C105UD72
	BH			720mA	APMS150C105HD72
	BU	150 Watt	MLGH6	900mA	APMS150C105UD90
	BH			900mA	APMS150C105HD90
	BU	2 x 100 Watt	MLGX1	520mA	APMS100C105UD52
	BH	2 x 100 Watt		520mA	APMS100C105HD52
	BU	2 x 150 Watt	MLGX5	650mA	APMS150C105UD65
	BH	2 x 100 Watt		650mA	APMS100C105UD65

Luminaire Weights

Model Number	Lumen Outputs	Weight in kg (lbs)
MLGL3	3500	9.20 (20.3)
MLGL5	5500	9.20 (20.3)
MLGL7	7500	9.20 (20.3)
MLGL9	9500	9.20 (20.3)
MLGH9	9500	12.00 (26.4)
MLGH1	11,500	12.00 (26.4)
MLGH3	14,500	12.00 (26.4)
MLGH6	17,500	12.00 (26.4)
MLGX1	20,000	13.15 (29.0)
MLGX5	25,000	13.15 (29.0)

LED/HIGH BAY: NEC/CEC ENCLOSED AND GASKETED

APPLETON™

Mercmaster™ LED Generation 3 Series Luminaires


Enclosed and Gasketed Fixtures

NEC/CEC:	NEC/CEC:	NEC/CEC:	ATEX:	IECEX:
Class I, Division 2, Groups A, B, C, D	Zone 21 Ex tb IIIC	Marine Outside Type (Salt Water)	Zone 2 and 21/22	Zone 2 and 21/22
Class II, Division 1 and 2, Group E, F, G	Type 3R, 4, 4X	American Bureau of Shipping (ABS) Certified	Ⓜ II 3 G	Ex ec IIC
Class III	IP66/IP67	International Dark Sky (IDA) Approved	Ⓜ II 2 GD	Ex tb IIIC
Class I, Zone 2 AEx ec IIC	Simultaneous Exposure		IP66	Ex tc IIIC
Zone 21 AEx tb IIIC	Suitable for Use in Wet Locations		IK08	IP66
Class I, Zone 2 Ex ec II				IK08

Factory Installed Photocontrol

To order photocontrol already installed on luminaire use the catalog numbering guide.

To only order the photocontrol and mounting hood together use the part numbers below.

	Voltage Range	Max VA	Max Current Amps	Suffix Designation Catalog Number
Photocontrol in FS Cover for Use with FS/FD Box ①				
Supplied with two stainless steel screws. For neoprene gasket, order catalog number FS-GKR-1N .				
	120V, 50/60 Hz	1000	8.3 Amp	FSKA-PC120D2
	208 V, 50/60 Hz	1000	4.8 Amp	
	240 V, 50/60 Hz	1000	4.2 Amp	FSKA-PC247D2
	277 V, 50/60 Hz	1000	3.6 Amp	

Photocontrol Top Hats

Mounting Hood	Hub Size	Photocontrol Option	Catalog Number
Pendant	3/4" NPT	120V	KPA75PC12D2
Pendant	3/4" NPT	208V, 240V, 277V	KPA75PC24D2
Pendant	1" NPT	120V	KPA100PC12D2
Pendant	1" NPT	208V, 240V, 277V	KPA100PC24D2
Wall	3/4" NPT	120V	KPWB75PC12D2
Wall	3/4" NPT	208V, 240V, 277V	KPWB75PC24D2
Wall	1" NPT	120V	KPWB100PC12D2
Wall	1" NPT	208V, 240V, 277V	KPWB100PC24D2
25 Stanchion	1-1/4" NPT stanchion	120V	KPS125PC12D2
25 Stanchion	1-1/4" NPT stanchion	208V, 240V, 277V	KPS125PC24D2
25 Stanchion	1-1/2" NPT stanchion	120V	KPS150PC12D2
25 Stanchion	1-1/2" NPT stanchion	208V, 240V, 277V	KPS150PC24D2
90 Stanchion	1-1/4" NPT stanchion	120V	KPST125PC12D2
90 Stanchion	1-1/4" NPT stanchion	208V, 240V, 277V	KPST125PC24D2
90 Stanchion	1-1/2" NPT stanchion	120V	KPST150PC12D2
90 Stanchion	1-1/2" NPT stanchion	208V, 240V, 277V	KPST150PC24D2

① Photocontrols are cCSAus rated only.

Mercmaster™ LED Generation 3 Series Luminaires

Enclosed and Gasketed Fixtures

NEC/CEC:

Class I, Division 2, Groups A, B, C, D
 Class II, Division 1 and 2, Group E, F, G
 Class III
 Class I, Zone 2 AEx ec IIC
 Zone 21 AEx tb IIIC
 Class I, Zone 2 Ex ec II

NEC/CEC:

Zone 21 Ex tb IIIC
 Type 3R, 4, 4X
 IP66/IP67
 Simultaneous Exposure
 Suitable for Use in Wet Locations

NEC/CEC:

Marine Outside Type (Salt
 Water)
 American Bureau of Shipping
 (ABS) Certified
 International Dark Sky (IDA)
 Approved

ATEX:

Zone 2 and 21/22
 II 3 G
 II 2 GD
 IP66
 IK08

IECEX:

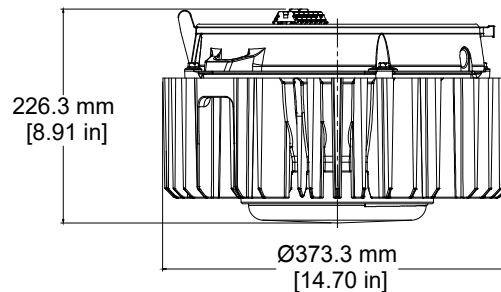
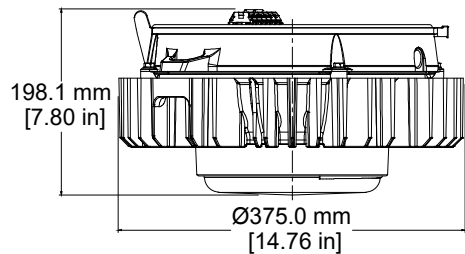
Zone 2 and 21/22
 Ex ec IIC
 Ex tb IIIC
 Ex tc IIIC
 IP66
 IK08

Dimensional Drawings

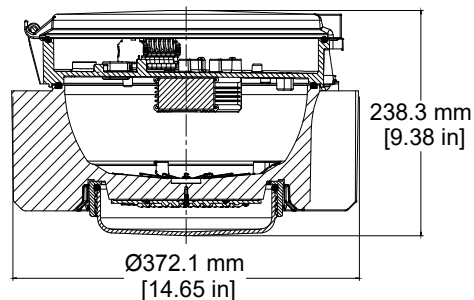
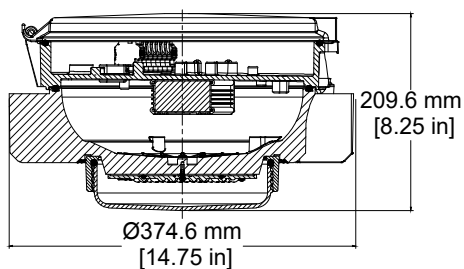
MLGL3 to MLGL9

MLGH9 to MLGX5

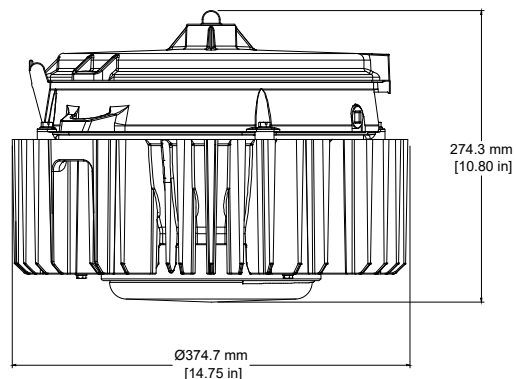
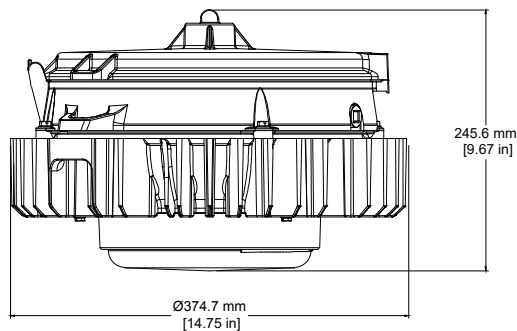
Driver Housing



Pendant



Watertight Pendant



LED/HIGH BAY: NEC/CEC ENCLOSED AND GASKETED

APPLETON™

Mercmaster™ LED Generation 3 Series Luminaires

Enclosed and Gasketed Fixtures

NEC/CEC:

Class I, Division 2, Groups A, B, C, D
 Class II, Division 1 and 2, Group E, F, G
 Class III
 Class I, Zone 2 AEx ec IIC
 Zone 21 AEx tb IIIC
 Class I, Zone 2 Ex ec II

NEC/CEC:

Zone 21 Ex tb IIIC
 Type 3R, 4, 4X
 IP66/IP67
 Simultaneous Exposure
 Suitable for Use in Wet Locations

NEC/CEC:

Marine Outside Type (Salt
 Water)
 American Bureau of Shipping
 (ABS) Certified
 International Dark Sky (IDA)
 Approved

ATEX:

Zone 2 and 21/22
 II 3 G
 II 2 GD
 IP66
 IK08

IECEX:

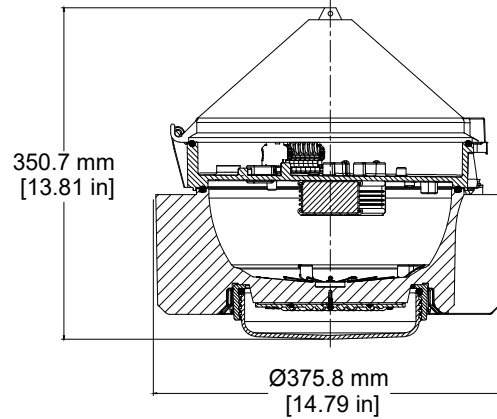
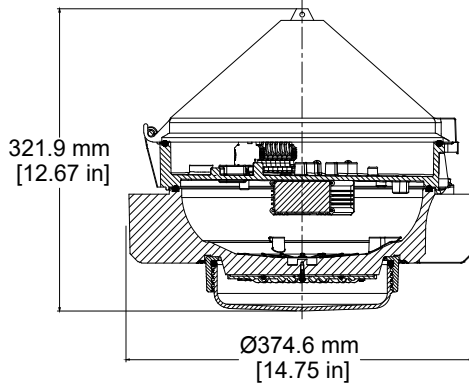
Zone 2 and 21/22
 Ex ec IIC
 Ex tb IIIC
 Ex tc IIIC
 IP66
 IK08

Dimensional Drawings

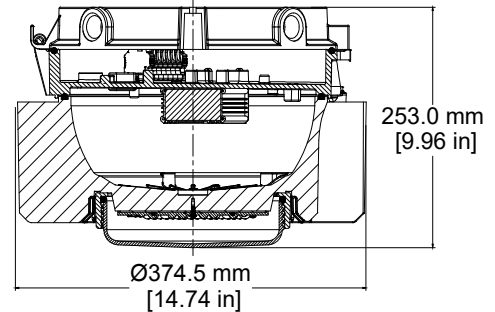
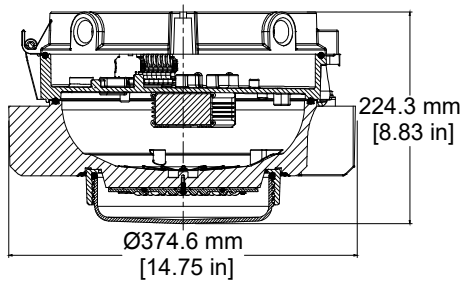
MLGL3 to MLGL9

MLGH9 to MLGX5

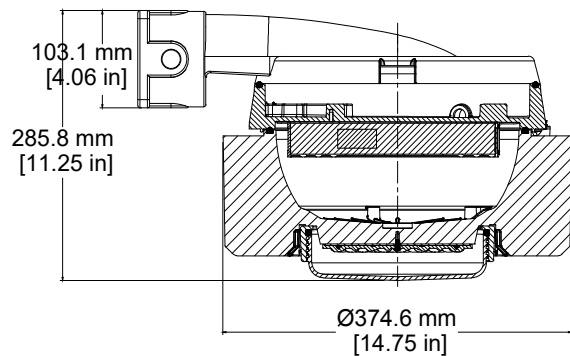
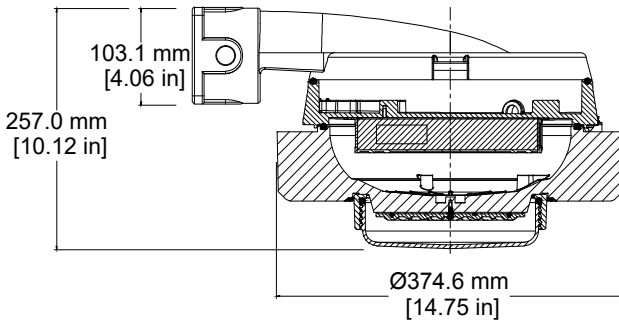
Pendant Cone



Ceiling



Wall Mount



LED/HIGH BAY: NEC/CEC ENCLOSED AND GASKETED

APPLETON

Mercmaster™ LED Generation 3 Series Luminaires

Enclosed and Gasketed Fixtures

NEC/CEC:

Class I, Division 2, Groups A, B, C, D
 Class II, Division 1 and 2, Group E, F, G
 Class III
 Class I, Zone 2 AEx ec IIC
 Zone 21 AEx tb IIIC
 Class I, Zone 2 Ex ec II

NEC/CEC:

Zone 21 Ex tb IIIC
 Type 3R, 4, 4X
 IP66/IP67
 Simultaneous Exposure
 Suitable for Use in Wet Locations

NEC/CEC:

Marine Outside Type (Salt Water)
 American Bureau of Shipping (ABS) Certified
 International Dark Sky (IDA) Approved

ATEX:

Zone 2 and 21/22
 II 3 G
 II 2 GD
 IP66
 IK08

IECEx:

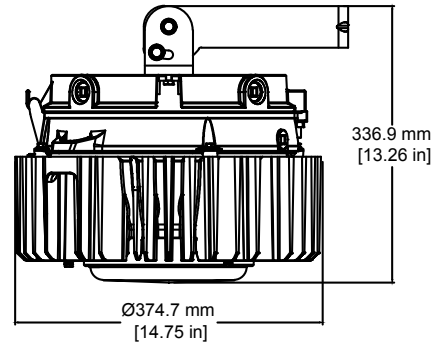
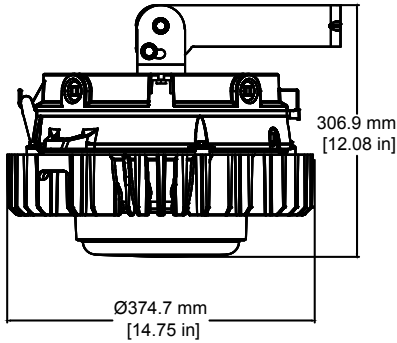
Zone 2 and 21/22
 Ex ec IIC
 Ex tb IIIC
 Ex tc IIIC
 IP66
 IK08

Dimensional Drawings

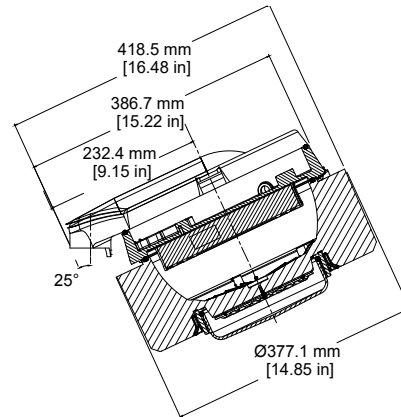
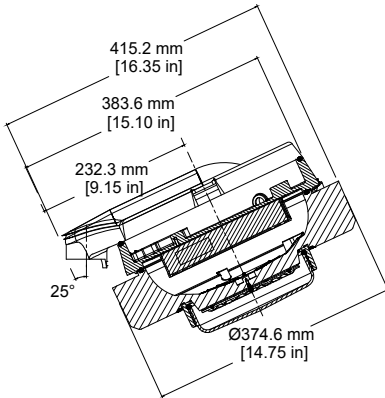
MLGL3 to MLGL9

MLGH9 to MLGX5

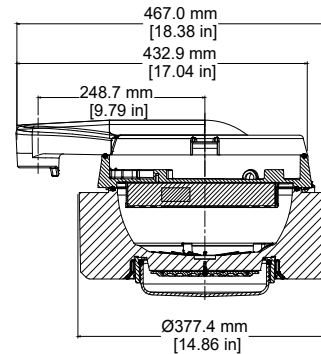
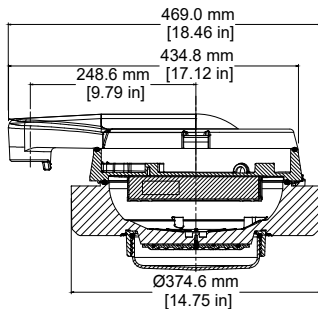
Trunnion Mount



25 Degree Stanchion



90 Degree Stanchion



LED/HIGH BAY- NEC/CEC ENCLOSED AND GASKETED

APPLETON™

Mercmaster™ LED Generation 3 Series Luminaires

Enclosed and Gasketed Fixtures

NEC/CEC:

Class I, Division 2, Groups A, B, C, D
 Class II, Division 1 and 2, Group E, F, G
 Class III
 Class I, Zone 2 AEx ec IIC
 Zone 21 AEx tb IIIC
 Class I, Zone 2 Ex ec II

NEC/CEC:

Zone 21 Ex tb IIIC
 Type 3R, 4, 4X
 IP66/IP67
 Simultaneous Exposure
 Suitable for Use in Wet Locations

NEC/CEC:

Marine Outside Type (Salt Water)
 American Bureau of Shipping (ABS) Certified
 International Dark Sky (IDA) Approved

ATEX:

Zone 2 and 21/22
 II 3 G
 II 2 GD
 IP66
 IK08

IECEX:

Zone 2 and 21/22
 Ex ec IIC
 Ex tb IIIC
 Ex tc IIIC
 IP66
 IK08

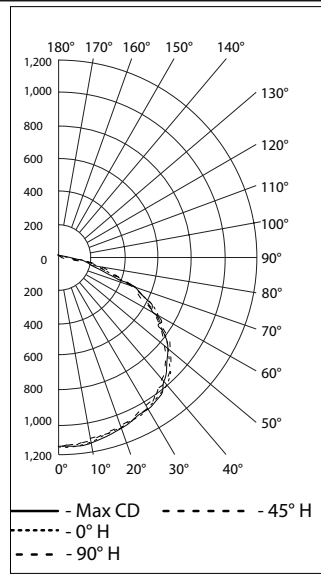
Photometric Data – DATA SHOWN IS ABSOLUTE

Type V, Clear Polycarbonate 5000K CCT

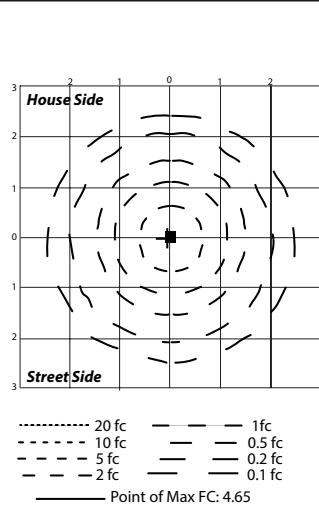
REPORT NUMBER: **MLGAL33CP5**

Luminaire Lumens 3,783

POLAR CANDELA DISTRIBUTION



ISOFOOT CANDLE PLOT



ZONAL LUMEN SUMMARY

Zone	Lumens	% Luminaire
0-30	942.7	24.9%
0-40	1,591.7	42.1%
0-60	2,979.8	78.8%
60-90	788.2	20.8%
70-100	271.6	7.2%
90-120	13.9	0.4%
0-90	3,768.1	99.6%
90-180	15.1	0.4%
0-180	3,783.2	100%

LUMENS PER ZONE

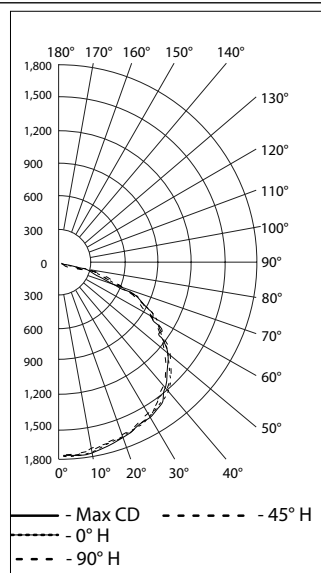
Zone	Lumens	% Total	Zone	Lumens	% Total
0-10	111.3	2.9%	90-100	5.9	0.2%
10-20	322.9	8.5%	100-110	4.8	0.1%
20-30	508.4	13.4%	110-120	3.2	0.1%
30-40	649.0	17.2%	120-130	0.8	0%
40-50	713.0	18.8%	130-140	0.1	0%
50-60	675.1	17.8%	140-150	0.1	0%
60-70	522.5	13.8%	150-160	0.2	0%
70-80	221.7	5.9%	160-170	0.1	0%
80-90	44.1	1.2%	170-180	0.0	0%

Type V, Clear Polycarbonate 5000K CCT

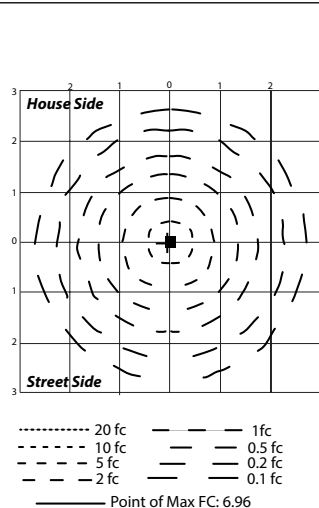
REPORT NUMBER: **MLGAL53CP5**

Luminaire Lumens 5,660

POLAR CANDELA DISTRIBUTION



ISOFOOT CANDLE PLOT



ZONAL LUMEN SUMMARY

Zone	Lumens	% Luminaire
0-30	1,410.3	24.9%
0-40	2,381.3	42.1%
0-60	4,457.9	78.8%
60-90	1,179.2	20.8%
70-100	406.4	7.2%
90-120	20.7	0.4%
0-90	5,637.2	99.6%
90-180	22.7	0.4%
0-180	5,659.8	100%

LUMENS PER ZONE

Zone	Lumens	% Total	Zone	Lumens	% Total
0-10	166.5	2.9%	90-100	8.8	0.2%
10-20	483.1	8.5%	100-110	7.1	0.1%
20-30	760.6	13.4%	110-120	4.8	0.1%
30-40	971.0	17.2%	120-130	1.2	0%
40-50	1,066.7	18.8%	130-140	0.1	0%
50-60	1,010.0	17.8%	140-150	0.2	0%
60-70	781.6	13.8%	150-160	0.2	0%
70-80	331.7	5.9%	160-170	0.2	0%
80-90	65.9	1.2%	170-180	0.1	0%

Mercmaster™ LED Generation 3 Series Luminaires

Enclosed and Gasketed Fixtures

NEC/CEC:

Class I, Division 2, Groups A, B, C, D
 Class II, Division 1 and 2, Group E, F, G
 Class III
 Class I, Zone 2 AEx ec IIC
 Zone 21 AEx tb IIIC
 Class I, Zone 2 Ex ec II

NEC/CEC:

Zone 21 Ex tb IIIC
 Type 3R, 4, 4X
 IP66/IP67
 Simultaneous Exposure
 Suitable for Use in Wet Locations

NEC/CEC:

Marine Outside Type (Salt Water)
 American Bureau of Shipping (ABS) Certified
 International Dark Sky (IDA) Approved

ATEX:

Zone 2 and 21/22
 II 3 G
 II 2 GD
 IP66
 IK08

IECEX:

Zone 2 and 21/22
 Ex ec IIC
 Ex tb IIIC
 Ex tc IIIC
 IP66
 IK08

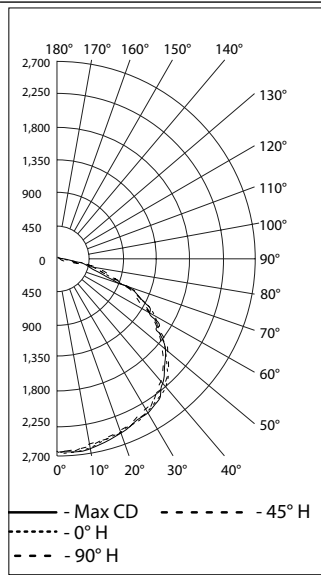
Photometric Data — DATA SHOWN IS ABSOLUTE

Type V, Clear Polycarbonate 5000K CCT

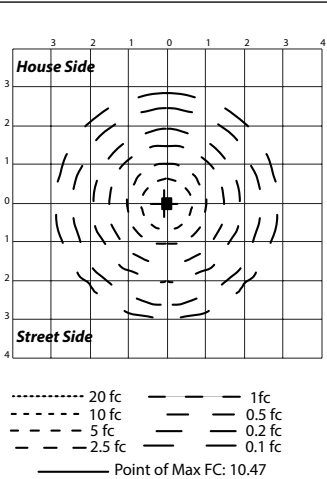
REPORT NUMBER: MLGAL73CP5

Luminaire Lumens 8,524

POLAR CANDELA DISTRIBUTION



ISOFOOT CANDLE PLOT



ZONAL LUMEN SUMMARY

Zone	Lumens	% Luminaire
0-30	2,123.9	24.9%
0-40	3,586.2	42.1%
0-60	6,713.7	78.8%
60-90	1,775.9	20.8%
70-100	612.0	7.2%
90-120	31.2	0.4%
0-90	8,489.6	99.6%
90-180	34.1	0.4%
0-180	8,523.7	100%

LUMENS PER ZONE

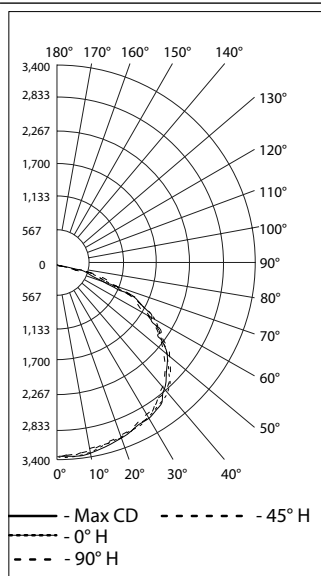
Zone	Lumens	% Total	Zone	Lumens	% Total
0-10	250.8	2.9%	90-100	13.2	0.2%
10-20	727.6	8.5%	100-110	10.8	0.1%
20-30	1,145.5	13.4%	110-120	7.2	0.1%
30-40	1,462.3	17.2%	120-130	1.7	0%
40-50	1,606.4	18.8%	130-140	0.1	0%
50-60	1,521.0	17.8%	140-150	0.3	0%
60-70	1,177.1	13.8%	150-160	0.4	0%
70-80	499.5	5.9%	160-170	0.3	0%
80-90	99.3	1.2%	170-180	0.1	0%

Type V, Clear Polycarbonate 5000K CCT

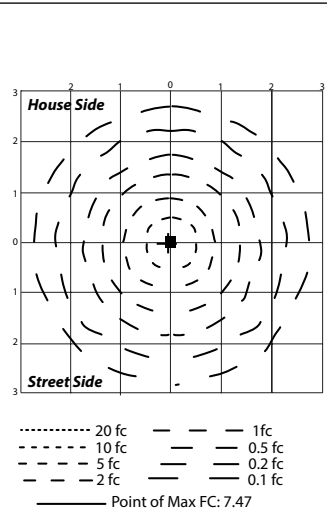
REPORT NUMBER: MLGAH93CP5 / MLGAL93CP5

Luminaire Lumens 10,845

POLAR CANDELA DISTRIBUTION



ISOFOOT CANDLE PLOT



ZONAL LUMEN SUMMARY

Zone	Lumens	% Luminaire
0-30	2,709.1	25%
0-40	4,571.0	42.1%
0-60	8,535.2	78.7%
60-90	2,272.7	21%
70-100	806.0	7.4%
90-120	33.3	0.3%
0-90	10,808.0	99.7%
90-180	37.2	0.3%
0-180	10,845.2	100%

LUMENS PER ZONE

Zone	Lumens	% Total	Zone	Lumens	% Total
0-10	319.9	2.9%	90-100	17.5	0.2%
10-20	928.5	8.6%	100-110	9.9	0.1%
20-30	1,460.7	13.5%	110-120	5.9	0.1%
30-40	1,861.9	17.2%	120-130	1.6	0%
40-50	2,042.3	18.8%	130-140	0.7	0%
50-60	1,922.0	17.7%	140-150	0.6	0%
60-70	1,484.2	13.7%	150-160	0.5	0%
70-80	649.2	6.0%	160-170	0.3	0%
80-90	139.3	1.3%	170-180	0.1	0%

LED/HIGH BAY: NEC/CEC ENCLOSED AND GASKETED

APPLETON™

Mercmaster™ LED Generation 3 Series Luminaires

Enclosed and Gasketed Fixtures

NEC/CEC:

Class I, Division 2, Groups A, B, C, D
 Class II, Division 1 and 2, Group E, F, G
 Class III
 Class I, Zone 2 AEx ec IIC
 Zone 21 AEx tb IIIC
 Class I, Zone 2 Ex ec II

NEC/CEC:

Zone 21 Ex tb IIIC
 Type 3R, 4, 4X
 IP66/IP67
 Simultaneous Exposure
 Suitable for Use in Wet Locations

NEC/CEC:

Marine Outside Type (Salt Water)
 American Bureau of Shipping (ABS) Certified
 International Dark Sky (IDA) Approved

ATEX:

Zone 2 and 21/22
 II 3 G
 II 2 GD
 IP66
 IK08

IECEX:

Zone 2 and 21/22
 Ex ec IIC
 Ex tb IIIC
 Ex tc IIC
 IP66
 IK08

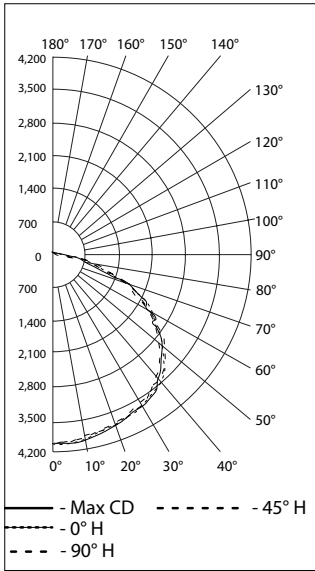
Photometric Data – DATA SHOWN IS ABSOLUTE

Type V, Clear Polycarbonate 5000K CCT

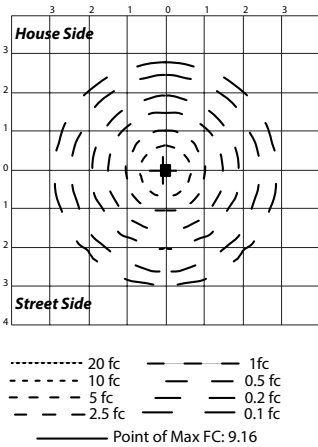
REPORT NUMBER: **MLGAH13CP5**

Luminaire Lumens 13,204

POLAR CANDELA DISTRIBUTION



ISOFOOT CANDLE PLOT



ZONAL LUMEN SUMMARY

Zone	Lumens	% Luminaire
0-30	3,298.3	25%
0-40	5,565.1	42.1%
0-60	10,391.5	78.7%
60-90	2,767.0	21%
70-100	981.3	7.4%
90-120	40.6	0.3%
0-90	13,158.5	99.7%
90-180	45.3	0.3%
0-180	13,203.8	100%

LUMENS PER ZONE

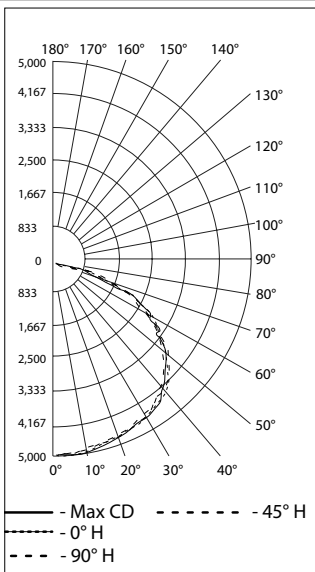
Zone	Lumens	% Total	Zone	Lumens	% Total
0-10	389.5	2.9	90-100	21.3	0.2%
10-20	1,130.4	8.6	100-110	12.0	0.1%
20-30	1,778.4	13.5	110-120	7.2	0.1%
30-40	2,266.8	17.2	120-130	2.0	0%
40-50	2,486.4	18.8	130-140	0.8	0%
50-60	2,340.0	17.7	140-150	0.8	0%
60-70	1,807.0	13.7	150-160	0.6	0%
70-80	790.4	6.0	160-170	0.4	0%
80-90	169.6	1.3	170-180	0.1	0%

Type V, Clear Polycarbonate 5000K CCT

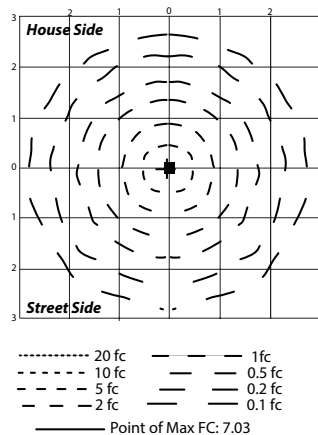
REPORT NUMBER: **MLGAH33CP5**

Luminaire Lumens 15,937

POLAR CANDELA DISTRIBUTION



ISOFOOT CANDLE PLOT



ZONAL LUMEN SUMMARY

Zone	Lumens	% Luminaire
0-30	3,981.1	25%
0-40	6,717.3	42.1%
0-60	12,542.8	78.7%
60-90	3,339.8	21%
70-100	1,184.5	7.4%
90-120	49.0	0.3%
0-90	15,882.6	99.7%
90-180	54.7	0.3%
0-180	15,937.3	100%

LUMENS PER ZONE

Zone	Lumens	% Total	Zone	Lumens	% Total
0-10	470.1	2.9%	90-100	25.7	0.2%
10-20	1,364.4	8.6%	100-110	14.5	0.1%
20-30	2,146.6	13.5%	110-120	8.7	0.1%
30-40	2,736.1	17.2%	120-130	2.4	0%
40-50	3,001.2	18.8%	130-140	1.0	0%
50-60	2,824.4	17.7%	140-150	0.9	0%
60-70	2,181.1	13.7%	150-160	0.7	0%
70-80	954.0	6.0%	160-170	0.5	0%
80-90	204.7	1.3%	170-180	0.2	0%

Mercmaster™ LED Generation 3 Series Luminaires

Enclosed and Gasketed Fixtures

NEC/CEC:

Class I, Division 2, Groups A, B, C, D
 Class II, Division 1 and 2, Group E, F, G
 Class III
 Class I, Zone 2 AEx ec IIC
 Zone 21 AEx tb IIIC
 Class I, Zone 2 Ex ec II

NEC/CEC:

Zone 21 Ex tb IIIC
 Type 3R, 4, 4X
 IP66/IP67
 Simultaneous Exposure
 Suitable for Use in Wet Locations

NEC/CEC:

Marine Outside Type (Salt Water)
 American Bureau of Shipping (ABS) Certified
 International Dark Sky (IDA) Approved

ATEX:

Zone 2 and 21/22
 II 3 G
 II 2 GD
 IP66
 IK08

IECEX:

Zone 2 and 21/22
 Ex ec IIC
 Ex tb IIIC
 Ex tc IIC
 IP66
 IK08

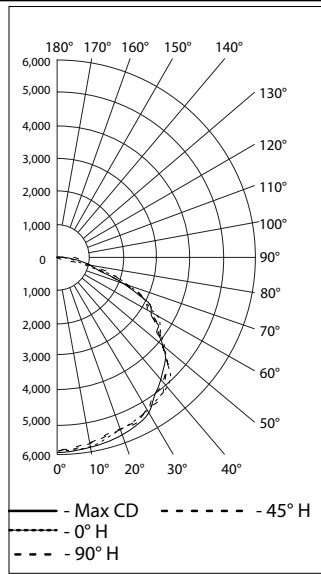
Photometric Data – DATA SHOWN IS ABSOLUTE

Type V, Clear Polycarbonate 5000K CCT

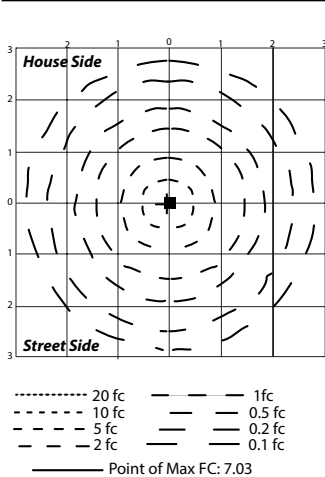
REPORT NUMBER: **MLGAH63CP5**

Luminaire Lumens 19,107

POLAR CANDELA DISTRIBUTION



ISOFOOT CANDLE PLOT



Zone	Lumens	% Luminaire
0-30	4,772.9	25%
0-40	8,053.1	42.1%
0-60	15,037.2	78.7%
60-90	4,004.0	21%
70-100	1,420.0	7.4%
90-120	58.7	0.3%
0-90	19,041.2	99.7%
90-180	65.7	0.3%
0-180	19,107.0	100%

LUMENS PER ZONE

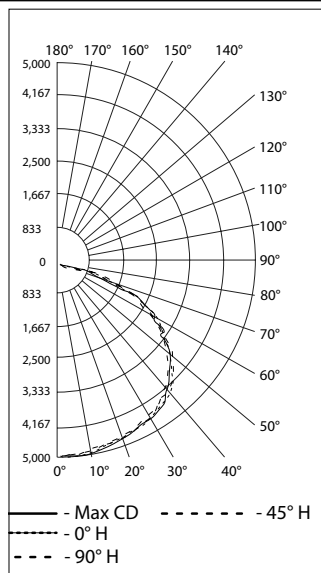
Zone	Lumens	% Total	Zone	Lumens	% Total
0-10	563.6	2.9%	90-100	30.8	0.2%
10-20	1,635.8	8.6%	100-110	17.4	0.1%
20-30	2,573.5	13.5%	110-120	10.5	0.1%
30-40	3,280.3	17.2%	120-130	2.9	0%
40-50	3,598.0	18.8%	130-140	1.3	0%
50-60	3,386.1	17.7%	140-150	1.2	0%
60-70	2,614.9	13.7%	150-160	0.9	0%
70-80	1,143.7	6.0%	160-170	0.6	0%
80-90	245.5	1.3%	170-180	0.2	0%

Type V, Clear Polycarbonate 5000K CCT

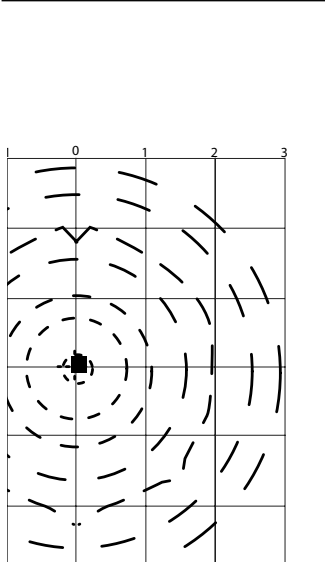
REPORT NUMBER: **MLGAX1CP5BU**

Luminaire Lumens 21,019

POLAR CANDELA DISTRIBUTION



ISOFOOT CANDLE PLOT



ZONAL LUMEN SUMMARY

Zone	Lumens	% Luminaire
0-30	5,119.8	24.4%
0-40	8,659.0	42.2%
0-60	16,329.0	77.7%
60-90	4,613.9	22%
70-100	1,675.4	8%
90-120	66.4	0.3%
0-90	20,942.9	99.6%
90-180	75.7	0.4%
0-180	21,018.7	100%

LUMENS PER ZONE

Zone	Lumens	% Total	Zone	Lumens	% Total
0-10	603.0	2.9%	90-100	34.1	0.2%
10-20	1,752.5	8.3%	100-110	19.8	0.1%
20-30	2,764.2	13.2%	110-120	12.4	0.1%
30-40	3,539.2	16.8%	120-130	4.2	0%
40-50	3,921.3	18.7%	130-140	1.5	0%
50-60	3,748.7	17.8%	140-150	1.3	0%
60-70	2,972.6	14.1%	150-160	1.1	0%
70-80	1,339.0	6.4%	160-170	0.8	0%
80-90	302.3	1.4%	170-180	0.3	0%

LED/HIGH BAY: NEC/CEC ENCLOSED AND GASKETED

APPLETON™

Mercmaster™ LED Generation 3 Series Luminaires

Enclosed and Gasketed Fixtures

NEC/CEC:

Class I, Division 2, Groups A, B, C, D
 Class II, Division 1 and 2, Group E, F, G
 Class III
 Class I, Zone 2 AEx ec IIC
 Zone 21 AEx tb IIIC
 Class I, Zone 2 Ex ec II

NEC/CEC:

Zone 21 Ex tb IIIC
 Type 3R, 4, 4X
 IP66/IP67
 Simultaneous Exposure
 Suitable for Use in Wet Locations

NEC/CEC:

Marine Outside Type (Salt Water)
 American Bureau of Shipping (ABS) Certified
 International Dark Sky (IDA) Approved

ATEX:

Zone 2 and 21/22
 Ⓜ II 3 G
 Ⓜ II 2 GD
 IP66
 IK08

IECEX:

Zone 2 and 21/22
 Ex ec IIC
 Ex tb IIIC
 Ex tc IIIC
 IP66
 IK08

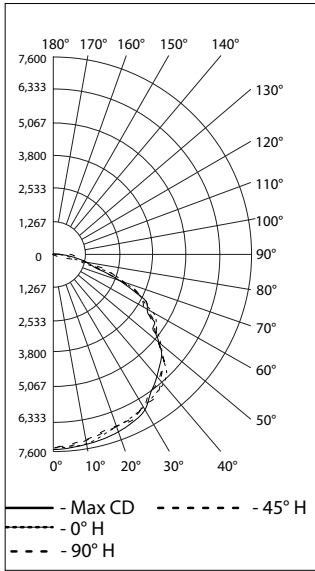
Photometric Data – DATA SHOWN IS ABSOLUTE

Type V, Clear Polycarbonate 5000K CCT

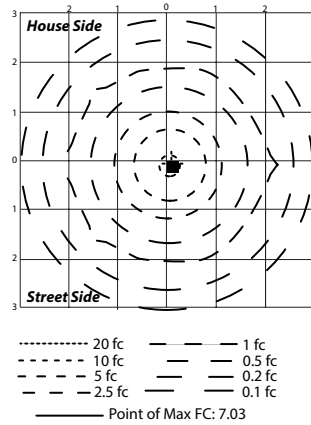
REPORT NUMBER: MLGAX5CP5BU

Luminaire Lumens 24,947

POLAR CANDELA DISTRIBUTION



ISOFOOT CANDLE PLOT



Zone	Lumens	% Luminaire
0-30	6,052.6	24.3%
0-40	10,253.4	41.1%
0-60	19,374.1	77.7%
60-90	5,481.6	22%
70-100	1,965.5	7.9%
90-120	80.1	0.3%
0-90	24,855.7	99.6%
90-180	90.9	0.4%
0-180	24,946.6	100%

LUMENS PER ZONE					
Zone	Lumens	% Total	Zone	Lumens	% Total
0-10	711.8	2.9%	90-100	41.8	0.2%
10-20	2,070.1	8.3%	100-110	24.0	0.1%
20-30	3,270.8	13.1%	110-120	14.3	0.1%
30-40	4,200.7	16.8%	120-130	5.0	0%
40-50	4,661.8	18.7%	130-140	1.5	0%
50-60	4,458.9	17.9%	140-150	1.5	0%
60-70	3,558.0	14.3%	150-160	1.4	0%
70-80	1,574.4	6.3%	160-170	0.9	0%
80-90	349.2	1.4%	170-180	0.4	0%

APPLETON™

LED/AREA: NEC/CEC, ATEX/IECEX ENCLOSED AND GASKETED