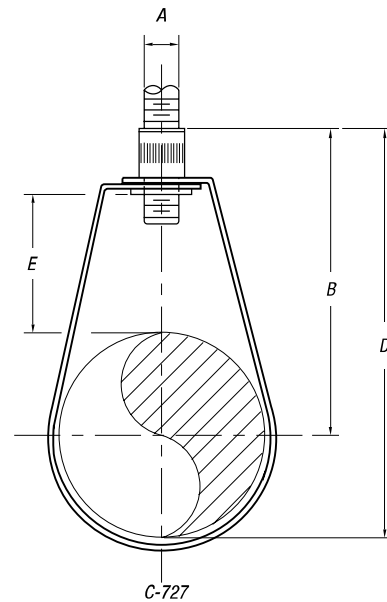


## Pipe Straps, Conduit Clamps and Hangers

### C-727 — Adjustable Swivel Ring

Designed for the support of non-insulated static pipe lines. The swivel nut is knurled to provide a gripping surface when adjusting the pipe elevation.



#### Specifications

- Compliance: Federal Specification A-A-1192A Type 10, MSS SP-69 Type 10, UL Listed and FM Approved (¾" through 8"). We also offer Swivel Ring hangers that are for Copper Tubing (CT-727), PVC coated (C-727-P) and for NFPA requirements (C-727-NFPA) in this catalog
- Material: Carbon Steel
- Finish: Standard Finish – Pre-Galv, Electro-Galvanized (add suffix "-EG") Black (add suffix "-B")
- Ordering: Specify pipe size, catalog number and finish

CAT. NO.	PIPE SIZE (IN.)	MAX LOAD (LBS.)	DIMENSIONS (IN.)				WT. EACH (LBS.)
			A	B	D	E	
C-727-1/2	½	300	¾	2¾	3⅛	1⅛	.09
C-727-¾	¾	300	¾	2½	3⅛	1⅛	.10
C-727-1	1	300	¾	2½	3⅛	1	.10
C-727-1-1/4	1¼	300	¾	2⅞	3⅛	1⅛	.10
C-727-1-1/2	1½	300	¾	3⅞	3⅞	1⅛	.11
C-727-2	2	300	¾	3⅞	4⅞	1⅛	.12
C-727-2-1/2	2½	600	½	3⅞	5⅞	1¼	.32
C-727-3	3	600	½	4	5⅞	1⅞	.35
C-727-3-1/2	3½	600	½	4⅞	6⅞	1½	.39
C-727-4	4	1,000	¾	4⅞	7⅞	1¼	.43
C-727-5	5	1,000	¾	5⅞	8½	1⅞	.65
C-727-6	6	1,250	¾	6⅞	10⅞	2	1.09
C-727-8	8	1,800	¾	8⅞	12⅞	2⅞	1.24

Standard Finish: Pre-Galv only.

Add "F" suffix for felt lining.