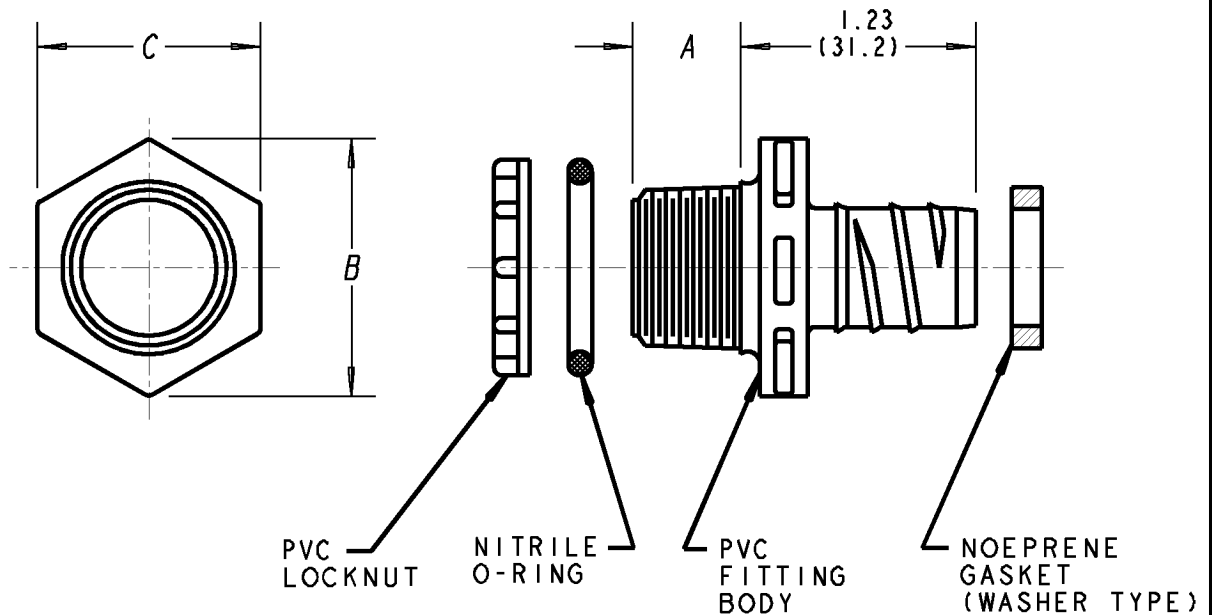


# Carlton®

SIZE	PART NUMBER	THREAD SIZE	A	B	C
1/2"	LN43DA LN43DACL LN43DA-CTN LN43DAL	1/2-14NPT	0.56 (14.2)	1.34 (34.0)	1.19 (30.2)
3/4"	LN43EA LN43EACL LN43EA-CTN LN43EAL	3/4-14NPT	0.56 (14.2)	1.63 (41.4)	1.44 (36.6)
1"	LN43FA LN43FA-CAR	1-11-1/2NPT	0.69 (17.5)	1.99 (50.5)	1.75 (44.5)

## ASSEMBLY NOTES

1. CUT CONDUIT SQUARE AND CLEAN.
2. PUSH WASHER UP AGAINST STOP ON CONDUIT SIDE OF FITTING.
3. PULL O-RING OVER O-RING GROOVE ON NPT SIDE OF FITTING.
4. SCREW CONDUIT ONTO FITTING UNTIL IT CONTACTS WASHER OVER ENTIRE CIRCUMFERENCE.
5. PLACE FITTING INTO KNOCKOUT AND TIGHTEN LOCKNUT (NOT FITTING).



### GENERAL NOTES

1. ALL DIMENSIONS ARE FOR REFERENCE ONLY.
2. DIMENSIONS IN BRACKETS [ ] ARE IN METRIC UNITS.

### REVISIONS

SEE ERN (\*\*\*\*) FOR APPROVAL SIGNATURES & RELEASE DATE.  
PROJECT NO: \*\*\*\*

**Thomas & Betts**  
www.tnb.com

DESCRIPTION: **STRAIGHT CARFLEX SPIRAL FITTING**

ORIGINAL PROJECT NO / ( ERN NO )

/ ( )

SHEET NO:

1 OF 1

REV. NO:

D

DRAWING NO:

WSD-AC00827