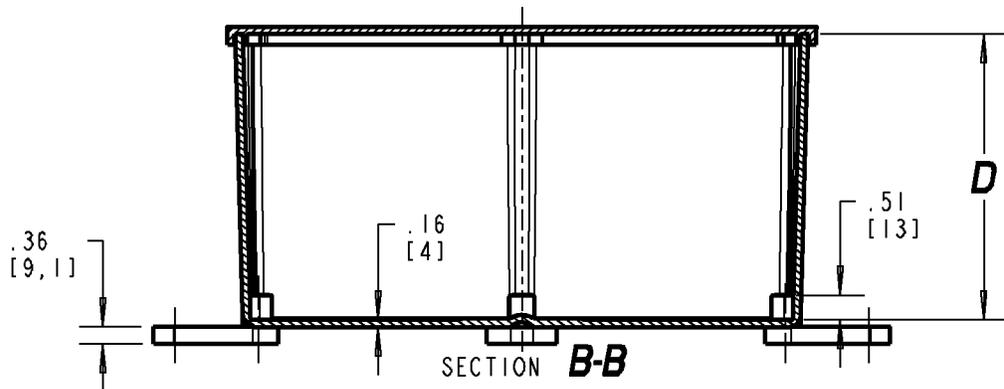
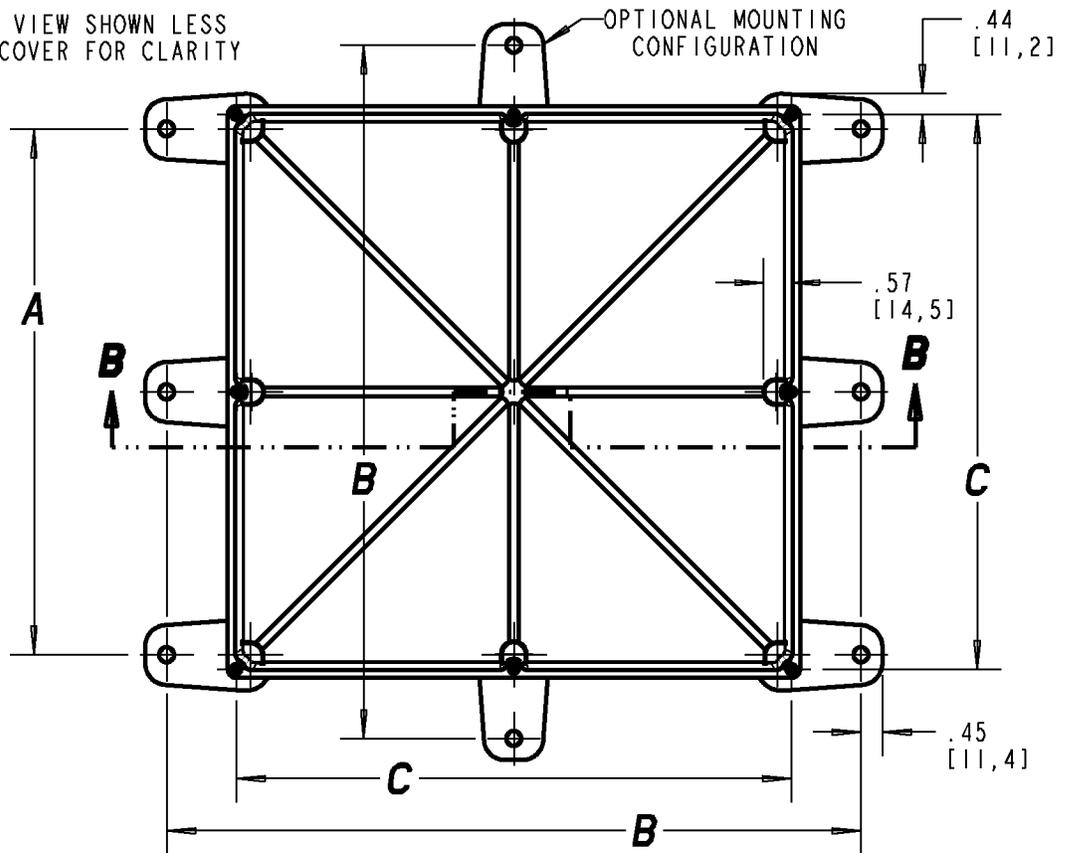


Carlton

VIEW SHOWN LESS COVER FOR CLARITY



NOTES:

1. MATERIAL: NORYL
2. NEMA TYPES: 4/4X

SIZE	MOLDED NONMETALLIC ENCLOSURES			
	A	B	C	D
E989NB E989N-CAR E989NCL E989NL (8X8X4)	—	10.68 [271.3]	7.62 [193.5]	4.00 [101.6]
E989SSX (8X8X7)	—	10.51 [266.9]	7.62 [193.5]	7.00 [177.8]

SIZE	MOLDED NONMETALLIC ENCLOSURES			
	A	B	C	D
E989UUN (12X12X4)	11.13 [282.7]	14.64 [371.8]	11.62 [295.1]	4.00 [101.6]
E989R-UPC E989RCL E989RL (12X12X6)	11.02 [279.9]	14.53 [369.1]	11.62 [295.1]	6.00 [152.4]

GENERAL NOTES

1. ALL DIMENSIONS ARE FOR REFERENCE ONLY.
2. DIMENSIONS IN BRACKETS [] ARE IN METRIC UNITS.

REVISIONS

F SEE ERN 2017264 FOR APPROVAL SIGNATURES & RELEASE DATE.
PROJECT NO: 5AM000006

Thomas & Betts
www.tnb.com

DESCRIPTION: **MOLDED NON-METALLIC ENCLOSURES**

ORIGINAL PROJECT NO / (ERN NO)
/ ()

SHEET NO:
1 OF 1

REV. NO:
F

DRAWING NO:
WSD-AC01979