
 TECHNICAL DATA SHEET

Device box, FDC 1-gang

Weatherproof

Iberville®


Rugged outlet box to accept wiring devices, switches, electronic components, and terminal blocks.

Certifications / Standards:


Features:

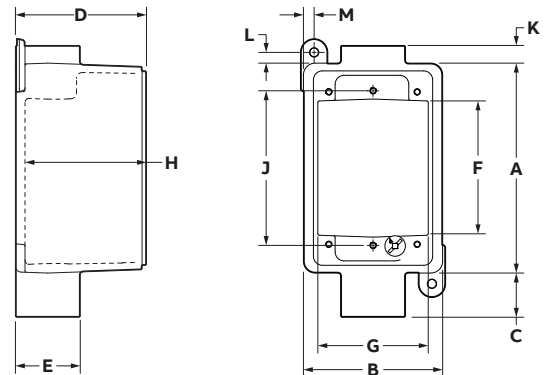
- Single gang design with two hubs.
- 2 $\frac{5}{8}$ in. internal depth.
- 22.5 Cu. In. internal volume.
- Suitable for wet locations, when used with appropriate cover.
- External hub design that provides maximum wiring capacity.
- Precision NPT threaded hubs allow trouble free installation.

Applications:

- FDC Boxes are installed to accept wiring devices, switches, electronic components and terminal blocks.
- FDC Boxes provide spacious accessible wiring chambers.

Material:

- Sand cast, aluminum alloy A356.2



Product selection (inches)

Part no:	Hub size	A	B	C	D	E	F	G	H	J	K	L	M
CIFDC-1/2	2 x 1/2	4.45	2.95	0.94	2.78	1.38	2.82	2.34	2.58	3.28	0.38	0.23	0.23
CIFDC-3/4	2 x 3/4	4.45	2.95	0.94	2.78	1.38	2.82	2.34	2.58	3.28	0.38	0.23	0.23
CIFDC-1	2 x 1	4.31	2.81	1.09	2.72	1.63	2.88	2.38	2.56	3.28	0.53	0.30	0.21

Note: Product must be installed in accordance with applicable national and local electrical codes.