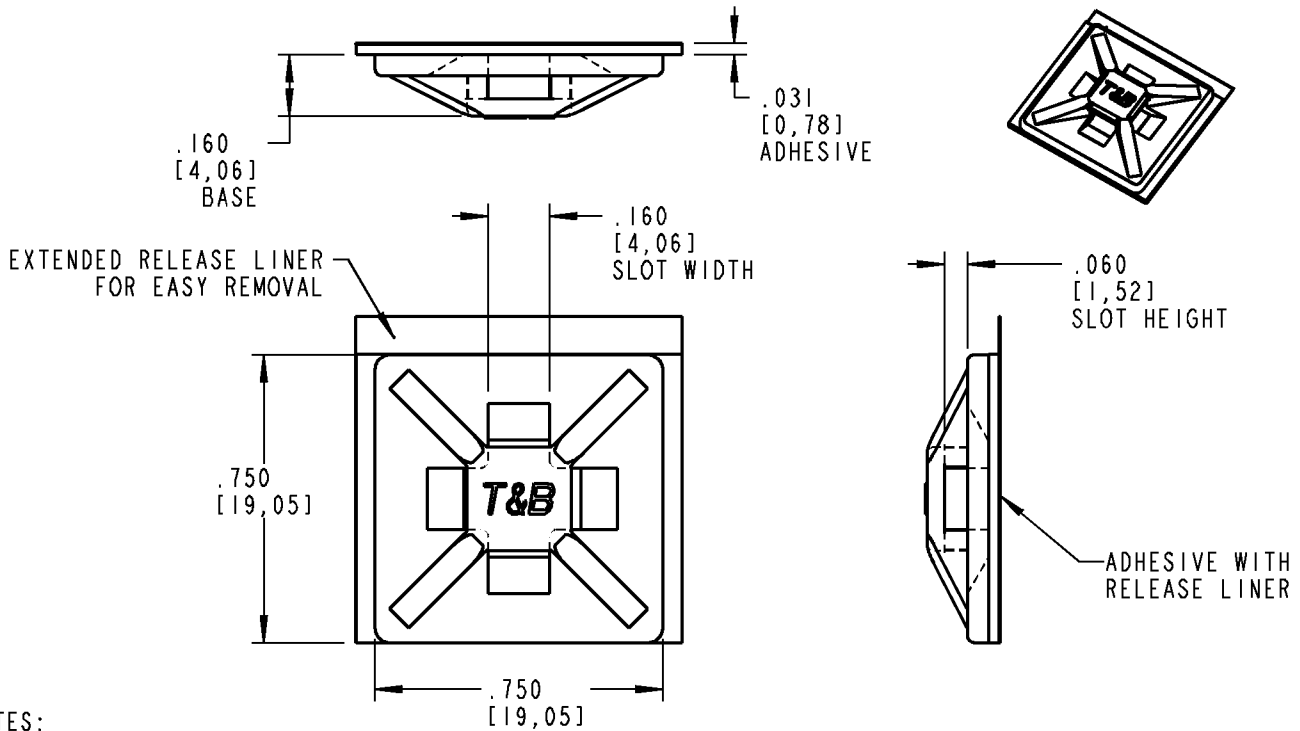




# Catamount<sup>®</sup>

**NOTES:**

1. MATERIAL (BASE); NYLON
2. FLAMMABILITY (BASE): UL94V-2
3. ADHESIVE: CLOSED CELL FOAM WITH SYNTHETIC RUBBER ADHESIVE ON BOTH SIDES  
OR  
CROSS-LINKED FOAM WITH SOLVENT-BASED ACRYLIC ADHESIVE ON BOTH SIDES
4. APPLICATION TEMPERATURE: 65°F [18°C] TO 120°F [49°C]
5. STORAGE/SERVICE TEMPERATURE: 32°F [0°C] TO 150°F [65°C]
6. SURFACE PREPARATION: MOUNTING SURFACE SHOULD BE CLEANED WITH ALCOHOL BASED (IPA) CLEANER BEFORE APPLICATION
7. ACRYLIC BASED ADHESIVE MAY BE REPOSITIONED INITIALLY. ALLOW 24-72 HOURS SET-UP FOR MAXIMUM PERFORMANCE
8. RUBBER BASED ADHESIVE, ALLOW 15 MINUTES SET-UP FOR MAXIMUM PERFORMANCE
9. EXPIRATION DATE LISTED ON PACKAGING

CATALOG NUMBER		ADHESIVE TYPE	
MPNY-750-**-**		SYNTHETIC RUBBER	
MPNY-750A-**-**		SOLVENT-BASED ACRYLIC	
* = COLOR CODE-	0 = BLACK	9 = NATURAL	
** = PACKAGING-	C = STD PKG ( 100 )	D = BULK PKG ( 500 )	
<b>GENERAL NOTES</b>		<b>Thomas &amp; Betts</b> <small>www.tnb.com</small>	
1. ALL DIMENSIONS ARE FOR REFERENCE ONLY. 2. DIMENSIONS IN BRACKETS [ ] ARE IN METRIC UNITS.			
<b>REVISIONS</b>		<b>DESCRIPTION: 4-WAY ADHESIVE MOUNTING BASE</b>	
- SEE ERN ( **** ) FOR APPROVAL SIGNATURES & RELEASE DATE. PROJECT NO: ****		ORIGINAL PROJECT NO / ( ERN NO )	SHEET NO:
		<b>FM401182 / ( 2007593 )</b>	<b>1 OF 1</b>
		REV. NO:	DRAWING NO:
		-	<b>WSD-000323</b>