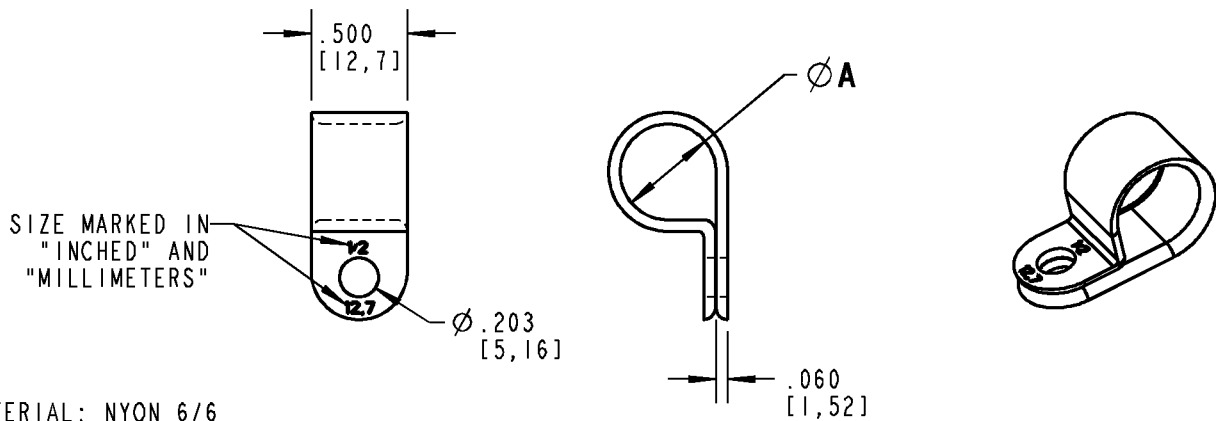


# Ty-Rap




**NOTES:**

1. MATERIAL: NYON 6/6
2. FLAMMABILITY RATING: UL94V-2
3. OPERATING TEMPERATURE RANGE: -40°F [-40°C] TO 185°F [85°]
4. PLAIN EDGE CABLE CLAMPS ARE DESIGNED TO PERFORM TO NAS-1397P
5. FULLY RADIUSED INSIDE EDGES
6. NON-CONDUCTIVE; NON-CORROSIVE, RESISTANT TO FUELS, LUBRICANTS AND MOST CHEMICALS

CATALOG NUMBER	SIZE	ØA	MOUNTING SCREW SIZE
N6NY-004C-***	1/4" [6,4]	.250 [6,35]	#10 (.190)
N6NY-005C-***	5/16" [7,9]	.312 [7,92]	
N6NY-006C-***	3/8" [9,5]	.375 [9,53]	
N6NY-007C-***	7/16" [11,1]	.438 [11,13]	
N6NY-008C-***	1/2" [12,7]	.500 [12,7]	
N6NY-009-***	9/16" [14,3]	.562 [14,27]	
N6NY-010-***	5/8" [15,9]	.625 [15,88]	
N6NY-011-***	11/16" [17,5]	.688 [17,48]	
N6NY-012-***	3/4" [19,1]	.750 [19,05]	
N6NY-013-***	13/16" [20,6]	.812 [20,62]	
N6NY-014-***	7/8" [22,2]	.875 [22,23]	
N6NY-016-***	1" [25,4]	1.000 [25,4]	
N6NY-018-***	1-1/8" [28,6]	1.125 [28,58]	
N6NY-019-***	1-3/16" [30,2]	1.188 [30,18]	
N6NY-020-***	1-1/4" [31,8]	1.250 [31,75]	
N6NY-022-***	1-3/8" [34,9]	1.375 [34,93]	
N6NY-024-***	1-1/2" [38,1]	1.500 [38,1]	

\* = COLOR CODE- 0 = BLACK  
9 = NATURAL

\*\* = PACKAGAGE QUANTITY- C = 100  
D = 500  
M = 1,000

<b>GENERAL NOTES</b>		 www.tnb.com			
1. ALL DIMENSIONS ARE FOR REFERENCE ONLY. 2. DIMENSIONS IN BRACKETS [ ] ARE IN METRIC UNITS.					
<b>REVISIONS</b>		<b>DESCRIPTION: PLAIN EDGE CABLE CLAMP (N6NY SERIES)</b>			
- SEE ERN (****) FOR APPROVAL SIGNATURES & RELEASE DATE. PROJECT NO: ****		ORIGINAL PROJECT NO / ( ERN NO )	SHEET NO:	REV. NO:	DRAWING NO:
		FMA01229 / ( 201477 )	1 OF 1	-	WSD-000525