

Copper Mechanical Connectors

Fast, easy installation.

Direct-Burial Splice Kits

- Includes outer heat-shrink tubing insulator with adhesive sealant for rugged, watertight protection
- For underground feeder (UF) cable, UFSK148DB's four-in-one connector supports four-conductor, three-phase-plus-neutral or single-phase wiring systems
- For non-UF cable, DBSK82 offers easy-to-install, one-piece, aluminum alloy connector

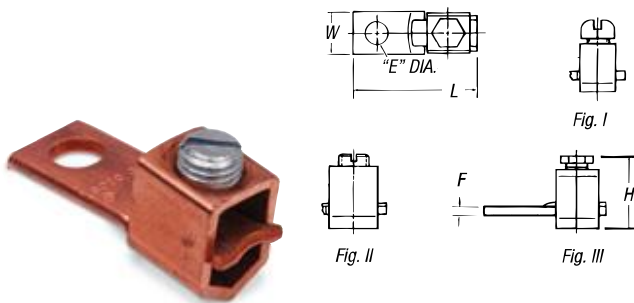


CAT. NO.	DESCRIPTION	WIRE RANGE	STD. PKG. QTY.
UFSK148DB	UF Direct-Burial Splice Kit	#14-#8 AWG	10
DBSK82	Direct-Burial Splice Kit (non-UF)	#8-#2 AWG	10



Type STC — Copper Single-Conductor, One-Hole Mount Lug with Straight Tang

- Uniquely designed pressure bar and notched v-bottom collar provide vise-like grip between conductor and terminal
- Made of electrolytic seamless copper with zinc-plated steel screws
- UL486A tested for copper conductor

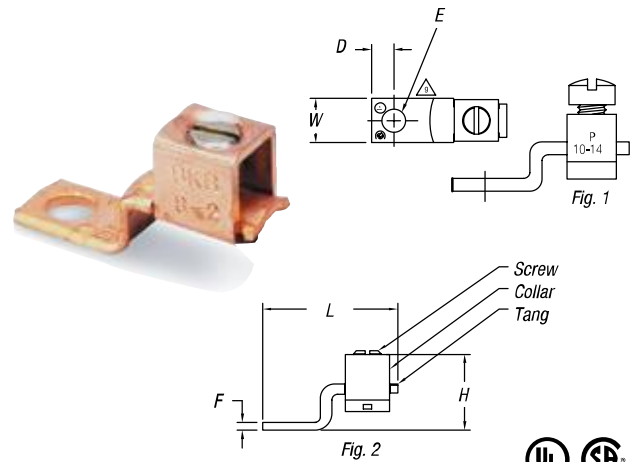


CAT. NO.	FIG. NO.	CONDUCTOR RANGE (CU)		DIMENSIONS (IN.)					
		MAX.	MIN.	L	W	H	F	E	D
STC1014*	1	#10	#14	1	5/16	1/2	5/64	5/32	3/16
STC0614	2	#6 Str.	#14	1 1/64	3/8	1 1/8	5/64	13/64	7/32
STC0414	2	#4 Str.	#14	1 1/4	1/2	2 1/2	3/32	17/64	1/4
STC0208	3	#2 Str.	#8 Str.	1 15/32	1/2	3 1/2	3/32	17/64	1/4
STC1102	3	1/0 Str.	#2 Str.	1 15/16	3/8	1 1/4	1/8	17/64	7/16
STC3104	3	3/0 Str.	#4 Str.	2 1/4	3/4	1 1/8	1/8	13/32	7/16
STC4102	3	4/0 Str.	#2 Str.	2 3/8	1	1 21/32	1/8	11/32	1/2
STC3511	3	350	1/0 Str.	3 1/4	1	1 5/8	3/16	13/32	5/8
STC5011	3	500	1/0 Str.	3 3/8	1 1/2	1 13/16	3/16	13/32	15/16
STC9960	3	1000	600	5	2	2-3/8	1/4	17/32	1 1/8

* Not CSA Certified.

Mechanical lug for use with copper conductors.

Type BTC — Copper Single-Conductor One-Hole Mount Lug with Offset Tang



CAT. NO.	FIG. NO.	CONDUCTOR RANGE (CU)		DIMENSIONS (IN.)					
		MAX.	MIN.	L	W	H	F	E	D
BTC1014*	1	#10	#14	1	5/16	43/64	5/64	5/32	3/16
BTC0614	2	#6 Str.	#14	1 1/32	3/8	25/32	5/64	13/64	7/32
BTC0208	2	#2 Str.	#8 Str.	1 15/32	1/2	27/32	3/32	17/64	1/4
BTC1102	2	1/0 Str.	#2 Str.	1 25/32	5/8	1 13/32	1/8	17/64	7/16
BTC3104	2	3/0 Str.	#4 Str.	2 3/8	3/4	1 9/16	1/8	13/32	7/16
BTC4102	2	4/0 Str.	#2 Str.	2 9/16	1	1 61/64	1/8	11/32	1/2
BTC3511	2	350	1/0 Str.	3 1/4	1	2 1/2	3/16	13/32	5/8
BTC5011	2	500	1/0 Str.	4 1/4	1 1/2	2 13/32	3/16	13/32	15/16
BTC9960	2	1000	600	4 3/4	2	3 3/8	1/4	17/32	1 1/8

* Not CSA Certified.