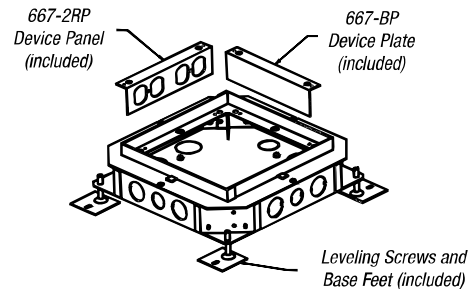
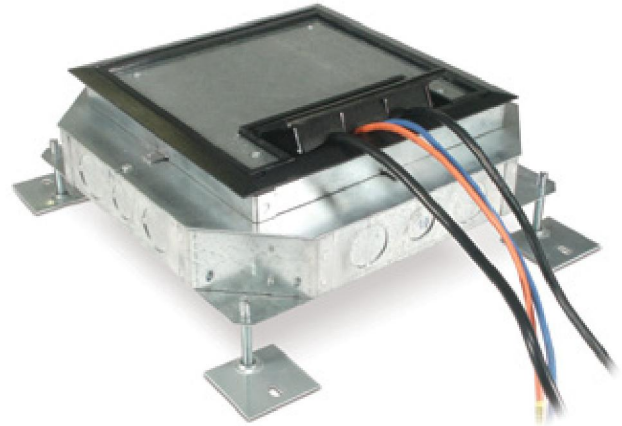


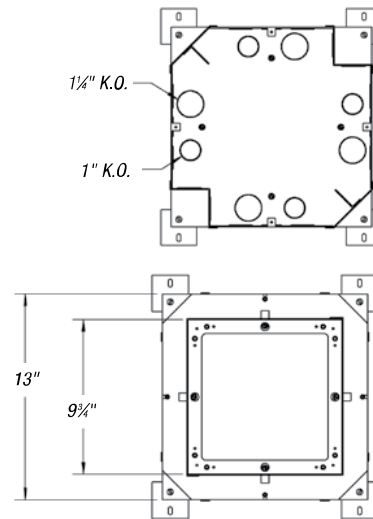
Recessed Service Floor Boxes

667-SC Floor Box

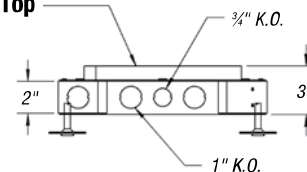
- Largest capacity concealed-service floor box on the market
 - Four “double-gangs” allow for two duplex receptacles per gang, for a total of eight receptacles per box
 - Each gang has 40 cu. in. of capacity
 - Box interior has 128 cu. in. of capacity
- Standard box configuration is for up to eight power and/or low-voltage devices
 - Box design allows for feed-through cabling for power and low-voltage conductors
- Shallow design
 - 3" overall height is ideal for renovations and upper level floor installations
- Full line of low-profile covers
 - Utilizes same quality cover as AFM-8 Access Floor Module
 - High-strength polycarbonate
 - Steel reinforced for added durability
 - Two retractable cable exit ports
 - 64 sq. in. opening provides easy access to device panels
 - ¼" recess for carpet/tile insert
 - Available in gray, black, brown and beige
- Box is manufactured with (1) ¾", (3) 1" and (1) 1¼" KOs per gang
 - This includes a 1" and 1¼" KO located in the bottom
- Full complement of device panels
 - Device panels available with one or two duplex openings, one or two GFI openings, six standard “keystone” with Omni 110 bezels and blanks
- Provided with leveling legs and base feet
 - Base feet can be attached to form preventing box movement during concrete pour
 - Leveling legs provide up to 1½" pre-pour adjustment
- Manufactured from 14-gauge pre-galvanized steel
 - Quality construction provides added durability and rust protection
- MopTite® covers meet UL® scrubwater exclusion requirements for carpet, tile and wood



Floor Box Bottom



Floor Box Top



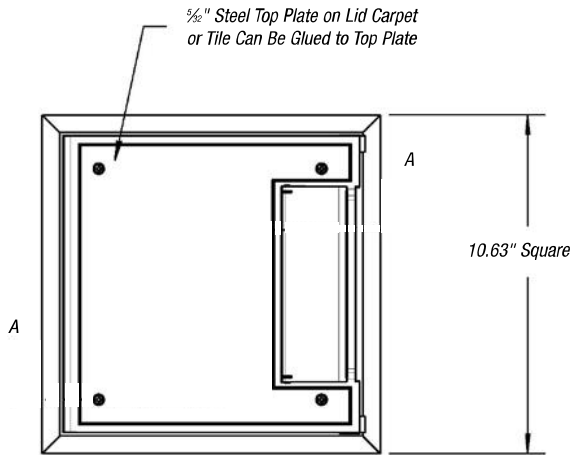
CAT. NO.	DESCRIPTION	STD. CTN.
667-SC	Four-Gang Recessed Floor Box	1

Supplied with (1) 667-2RP for 2 duplex receptacles and (1) 667-BP Blank Plate. For covers and other device plates, see **page A-139**.

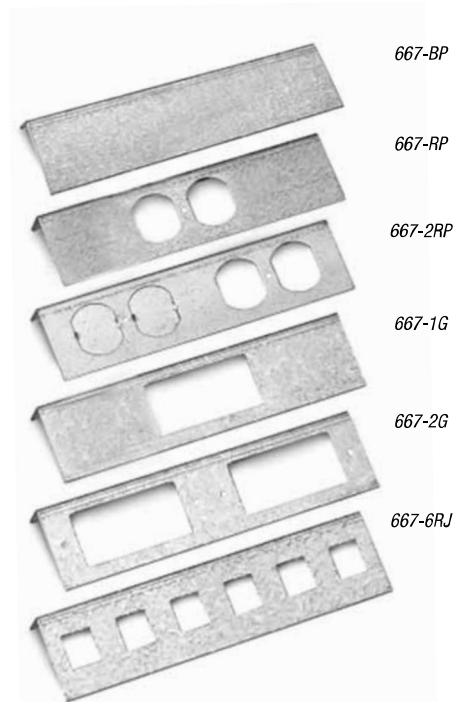
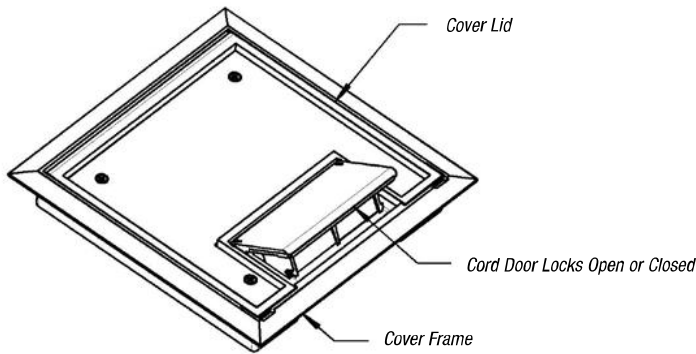
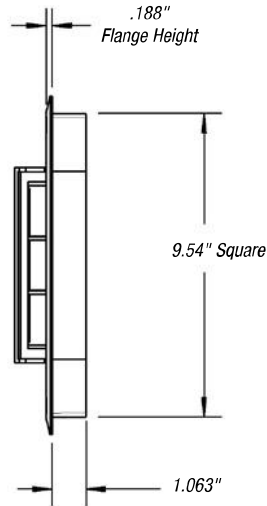
For communications accessories, see **page A-140**.

Recessed Service Floor Boxes

Covers and Device Plates for 667-SC



667-CST-SW-XXX



CAT. NO.	DESCRIPTION	STD. CTN.
667-BP*	Blank Device Panel	4
667-RP	Single Duplex Receptacle Plate	4
667-2RP*	Device Panel for 2 Duplex Receptacles with Duplex KOs	4
667-1G	Device Panel for 1 GFCI Receptacle	4
667-2G	Device Panel for 2 GFCI Receptacles	4
667-6RJ**	Device Panel for 6 Keystone Data Jacks	4
667-CST-SW-GRY	Cover and Flange — Gray	4
667-CST-SW-BLK	Cover and Flange — Black	4
667-CST-SW-BRN	Cover and Flange — Brown	4
667-CST-SW-BGE	Cover and Flange — Beige	4

**For data connectors and adapters, see page A-140.

New MopTite® Covers exceed UL® scrubwater exclusion requirements.