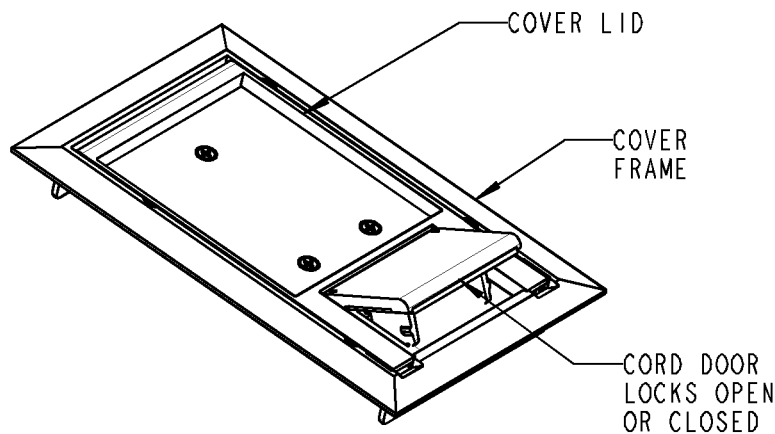



SECTION A-A

- 1) FLOOR BOX COVER DESIGNED FOR USE WITH 664 SERIES CONCEALED SERVICE FLOOR BOXES. MADE FROM HIGH STRENGTH POLYCARBONATE WITH 5/32 STEEL TOP PLATE.
- 2) MOPTIGHT. FACTORY INSTALLED GASKETS. EXCEEDS UL SCRUB-WATER REQUIREMENTS FOR TILE, CARPET AND WOOD FLOORS.
- 3) AVAILABLE IN FOUR COLORS.
 - XXX DENOTES COLOR
 - BLK = BLACK
 - GRY = GRAY
 - BGE = BEIGE
 - BRN = BROWN



GENERAL NOTES		 www.tnb.com			
1. DIMENSIONS IN PARENTHESES () ARE IN METRIC UNITS.					
REVISIONS		DESCRIPTION: 664-CST-SW-XXX CONCEALED SERVICE TOP			
SEE ERN () FOR APPROVAL SIGNATURES	ORIGINAL PROJECT NO / (ERN NO)	SHEET NO:	REV. NO:	DRAWING NO:	
PROJECT NO:	UD55453 / (2002995)	1 OF 1	0	WSD-000057	