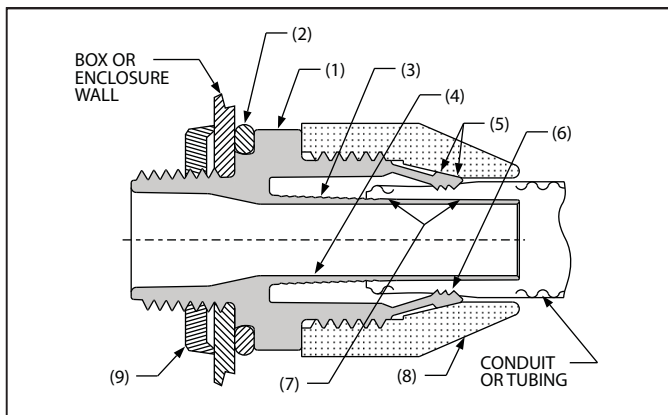




## SPECIFICATION SHEET CONNECTORS FOR LIQUIDTIGHT FLEXIBLE NONMETALLIC CONDUIT AND TUBING

### APPLICATION:

- A series of non-metallic connectors designed to provide a liquidtight seal when terminating liquidtight non-metallic conduit (U.L. Type B) or liquidtight non-metallic tubing to a box or enclosure with knockout opening or a threaded hub.



### FEATURES:

- Connector assembles to conduit without disassembly and is designed to be installed with a positive installation criteria (gland bottoms on body shoulder).
- Rugged low profile non-metallic body and gland construction (1). The connector is equipped with a steel locknut (9) to firmly secure connector to box or an enclosure and a sealing "O" ring. Locknut not supplied with ISO threaded fitting.
- Captivated sealing "O" ring (2) with predetermined compression for a reliable seal at enclosure.
- Connector ferrule designed to accept variations in conduit inside diameter and is tolerant of field conduit cuts (3).
- The profile of ferrule is designed to reduce friction between conduit I.D. and ferrule (4) allowing conduit to seat properly for effective seal.
- Outer surface of the clamping fingers provided with friction reducing ridges (5) for ease of installation. The inner surface is designed with conduit biting teeth to enhance clamping and sealing action (6).

- Performance of connectors tested to simulate adverse installation conditions.
- Provides a double sealing action (7).
- Elongated gland nut profile (8) designed to provide additional strain relief for 90° pull and an easy hand grip.
- Performance of connector unaffected by exposure to detergents, cleaners, and sanitizers commonly encountered in food processing plants and tropical industrial environment. Also, unaffected by cutting fluids, wiring pulling compounds and Marine environment. The connector meets industry standards for cold impact and simulated hammer blow.

### STANDARD MATERIAL/FINISH:

Body Gland-Weather stabilized thermoplastic (black)

"O" Ring - Nitrile (blue)

Locknut - Steel/ electro zinc plated

Matl. temp. rating - Thermoplastic - 40°C to 105°C

Material Flammability Rating: UL94-V2

### LISTED/CERTIFIED BY:

U.L. (File No. E23018)

C.S.A. (File No. LR52391)

(ISO threaded fittings not included)

### CONFORMS TO:

- C.S.A. 22.2 No. 227.2 & C.S.A. 22.2 No. 227.3
- ANSI/UL514B-1988
- Watertight requirements of NEMA Type 4 and NEMA Type 6 enclosures
- Federal Standards H28 (NPT threads)
- Suitable for hazardous locations  
Class I Div. 2; Class II Div. 1 & 2;  
Groups E, F, & G; Class III per N.E.C.  
Article 501-4, 502-4 and 503-3.

## SUGGESTED SPECIFICATION:

Where liquidtight flexible non-metallic conduit (U.L.Type B) or liquidtight flexible non-metallic tubing is terminated to a box or enclosure, the non-metallic connectors used shall be able to be installed without disassembly and provide a positive installation criteria. In the installed condition, the connector must provide a seal meeting watertight requirements of NEMA Type 4 and Type 6 enclosures. The performance of connectors shall be unaffected by exposure to detergents, sanitizers, cutting fluids, wire pulling compounds and oil base industrial paints. The connector must also be capable of withstanding Marine environment and cold impact simulating a hammer blow. Installed connectors shall be of the elongated gland type as manufactured by Thomas & Betts LT38P series.

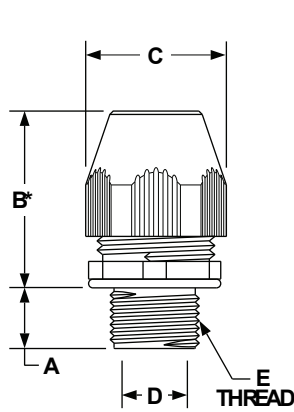


FIGURE 1

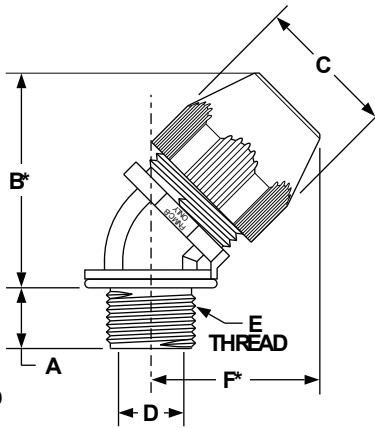


FIGURE 2

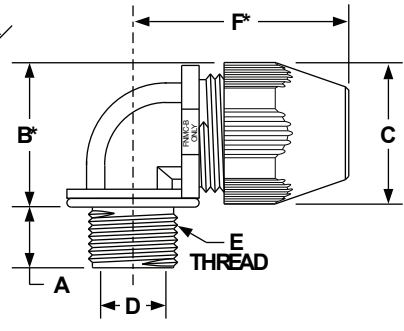


FIGURE 3

| CAT. NO.**                      | FIG. | TRADE SIZE | A ±.015 (.040)<br>INCH (mm) | B* ±.035 (0.90)<br>INCH (mm) | C ±.015 (0.40)<br>ACROSS<br>CORNERS<br>INCH (mm) | MIN.<br>THROAT<br>DIA. D<br>INCH (mm) | E<br>THREAD<br>NPT (ISO) | F* INCH (mm)<br>APPROX. |
|---------------------------------|------|------------|-----------------------------|------------------------------|--|---------------------------------------|--------------------------|-------------------------|
| LT38P (-ISO20)(-PG11)(-PG13.5)  | 1    | 3/8        | .570<br>(14.48)             | 1.595 (40.51)                | 1.354<br>(34.39)                                 | .417<br>(10.59)                       | 1/2 - 14<br>(20)         | —                       |
| LT438P (-ISO20)(-PG11)(-PG13.5) | 2    |            |                             | 2.012 (51.10)                |  |                                       |                          | 1.534 (38.96)           |
| LT938P (-ISO20)(-PG11)(-PG13.5) | 3    |            |                             | 1.380 (35.05)                |  |                                       |                          | 1.880 (47.75)           |
| LT50P (-ISO20)(-PG13.5)(-PG16)  | 1    | 1/2        | .570<br>(14.48)             | 1.636 (41.55)                | 1.448<br>(36.78)                                 | .550<br>(13.97)                       | 1/2 - 14<br>(20)         | —                       |
| LT450P (-ISO20)(-PG13.5)(-PG16) | 2    |            |                             | 2.092 (53.14)                |  |                                       |                          | 1.590 (40.39)           |
| LT950P (-ISO20)(-PG13.5)(-PG16) | 3    |            |                             | 1.489 (37.82)                |  |                                       |                          | 1.986 (50.44)           |
| LT75P (-ISO25)(-PG21)           | 1    | 3/4        | .582<br>(14.78)             | 1.757 (44.63)                | 1.740<br>(44.20)                                 | .740<br>(18.80)                       | 3/4 - 14<br>(25)         | —                       |
| LT475P (-ISO25)(-PG21)          | 2    |            |                             | 2.452 (62.28)                |  |                                       |                          | 1.821 (46.25)           |
| LT975P (-ISO25)(-PG21)          | 3    |            |                             | 1.790 (45.47)                |  |                                       |                          | 2.212 (56.18)           |
| LT100P (-PG29)                  | 1    | 1          | .726<br>(18.44)             | 1.923 (48.84)                | 2.068<br>(52.53)                                 | .940<br>(23.88)                       | 1 - 11 1/2               | —                       |
| LT4100P (-PG29)                 | 2    |            |                             | 2.684 (68.17)                |  |                                       |                          | 2.034 (51.66)           |
| LT9100P (-PG29)                 | 3    |            |                             | 2.104 (53.44)                |  |                                       |                          | 2.508 (63.70)           |
| LT125P (-PG36)                  | 1    | 1-1/4      | .750<br>(19.05)             | 2.164 (54.97)                | 2.494<br>(63.35)                                 | 1.257<br>(31.93)                      | 1 1/4 - 11 1/2           | —                       |
| LT4125P (-PG36)                 | 2    |            |                             | 3.264 (82.91)                |  |                                       |                          | 2.385 (60.58)           |
| LT9125P (-PG36)                 | 3    |            |                             | 2.564 (65.13)                |  |                                       |                          | 2.856 (72.54)           |
| LT150P (-PG42)                  | 1    | 1-1/2      | .767<br>(19.48)             | 2.353 (59.77)                | 2.784<br>(70.71)                                 | 1.453<br>(36.91)                      | 1 1/2 - 11 1/2           | —                       |
| LT4150P                         | 2    |            |                             | 3.605 (91.57)                |  |                                       |                          | 2.604 (66.14)           |
| LT9150P                         | 3    |            |                             | 2.854 (72.49)                |  |                                       |                          | 3.144 (79.86)           |
| LT200P (-PG48)                  | 1    | 2          | .794<br>(20.17)             | 2.605 (66.17)                | 3.362<br>(85.39)                                 | 1.883<br>(47.83)                      | 2 - 11 1/2               | —                       |
| LT4200P                         | 2    |            |                             | 4.210 (106.93)               |  |                                       |                          | 3.050 (77.47)           |
| LT9200P                         | 3    |            |                             | 3.432 (87.17)                |  |                                       |                          | 3.675 (93.34)           |

\*\* FITTINGS WITH ISO THREADS WILL HAVE THE ISO THREADED SUFFIX AS PART OF THE CATALOG NUMBER. (EXAMPLE: LT38P-ISO20)

\*\*AFTER ASSEMBLY

\*\* FITTINGS WITH PG THREADS WILL HAVE THE PG THREADED SUFFIX AS PART OF THE CATALOG NUMBER. (EXAMPLE: LT38P-PG11)

**WARRANTY:** Thomas & Betts sells this product with the understanding that the user will perform all necessary tests to determine the suitability of this product for the user's intended application. Thomas & Betts warrants that this product will be free from defects in materials or workmanship for a period of two (2) years following the date of purchase. Upon prompt notification of any warranted defect, Thomas & Betts will, at its option, repair or replace the defective product. Misuse, misapplication or modification of Thomas & Betts Products immediately voids all warranties.

**Limitations and Exclusions:** THE ABOVE WARRANTY IS THE SOLE WARRANTY CONCERNING THIS PRODUCT, AND IS IN LIEU OF ALL OTHER WARRANTIES EXPRESS OR IMPLIED, INCLUDING BUT NOT LIMITED TO ANY IMPLIED WARRANTY OF MERCHANTABILITY OR FITNESS FOR A PARTICULAR PURPOSE, WHICH ARE SPECIFICALLY DISCLAIMED. LIABILITY FOR BREACH OF THE ABOVE WARRANTY IS LIMITED TO COST OF REPAIR OR REPLACEMENT OF THE PRODUCT, AND UNDER NO CIRCUMSTANCES WILL THOMAS & BETTS BE LIABLE FOR ANY INDIRECT, SPECIAL, INCIDENTAL OR CONSEQUENTIAL DAMAGES.

Thomas & Betts Corporation  
Memphis, Tennessee  
www.tnb.com