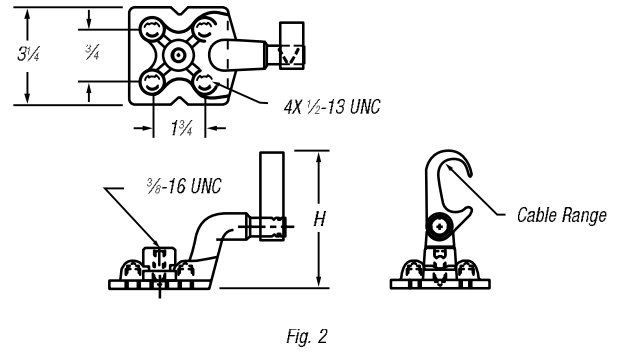
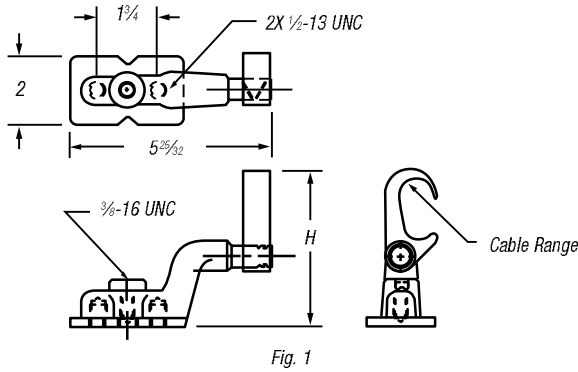


EZGround™ Compression Grounding Connectors Ground Plates



DB UL SP MEETS IEEE 837 REQUIREMENTS

CAT. NO.	FIG.	CABLE RANGE	H	DIES
GP2250-2	1	#2-250 kcmil	3 3/8"	15G86R
GP2250-4	2	#2-250 kcmil	4 1/2"	15G86R
GP250500-2	1	250-500 kcmil	3 3/8"	15G126R
GP250500-4	2	250-500 kcmil	4 1/2"	15G126R