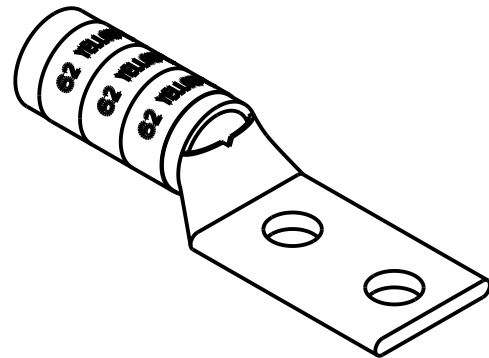
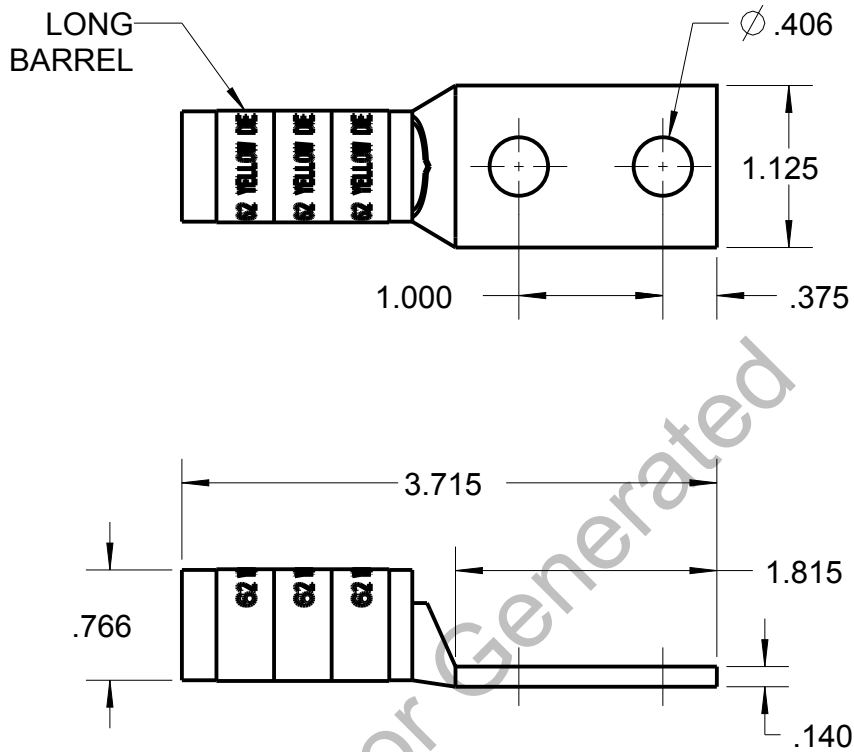



Blackburn Compression

Featuring the Color-Keyed® System

CATALOG NO. 256-30695-1245P



WIRE SIZE: 250 MCM
 MATERIAL: HIGH CONDUCTIVITY COPPER
 FINISH: TIN PLATED

| | | | | | |
|---|--|--|-----------|----------|------------------------|
| GENERAL NOTES | |  www.tnb.com | | | |
| 1. ALL DIMENSIONS ARE FOR REFERENCE ONLY. 2. DIMENSIONS IN BRACKETS [] ARE IN METRIC UNITS. | | | | | |
| REVISIONS | | DESCRIPTION: 2 HOLE LUG | | | |
| ** SEE ERN (****) FOR APPROVAL SIGNATURES & RELEASE DATE. PROJECT NO: **** | | ORIGINAL PROJECT NO / (ERN NO) | SHEET NO: | REV. NO: | DRAWING NO: WSD-003249 |
| | | / () | 1 OF 1 | 0 | 256-30695-1245P |