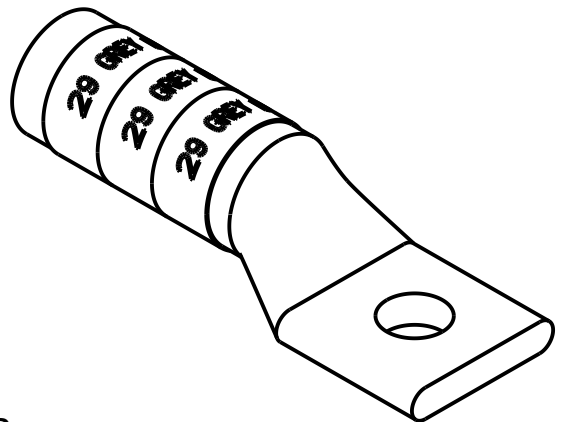
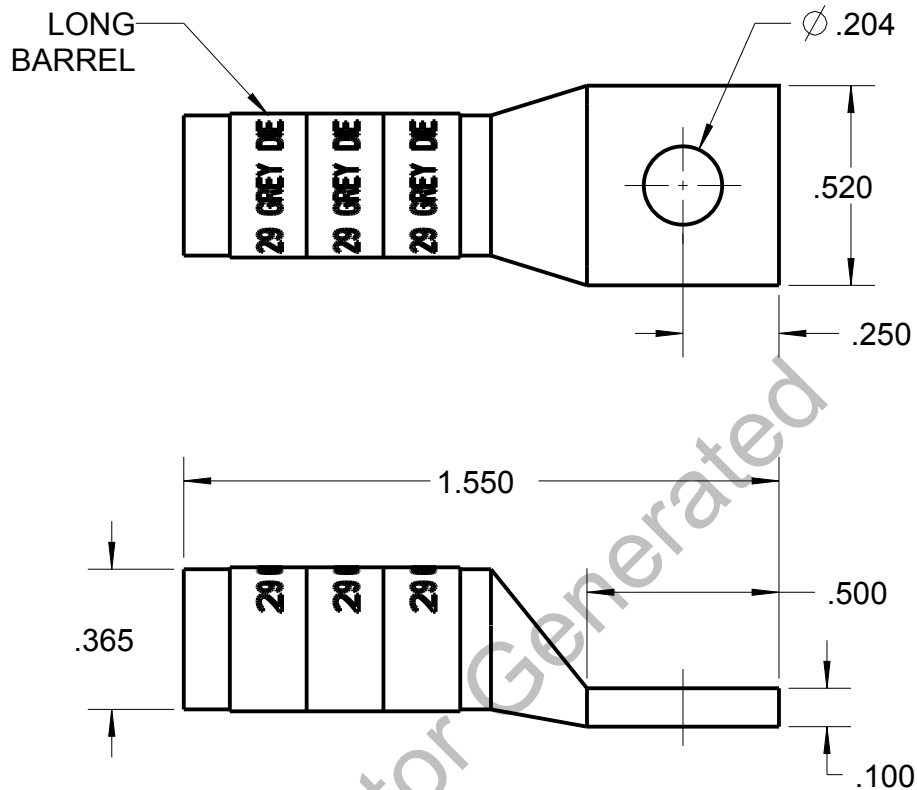


Blackburn Compression

Featuring the Color-Keyed® System

CATALOG NO. 54908BE



WIRE SIZE: # 4 AWG
 MATERIAL: HIGH CONDUCTIVITY COPPER
 FINISH: TIN PLATED

GENERAL NOTES		Thomas & Betts www.tnb.com			
1. ALL DIMENSIONS ARE FOR REFERENCE ONLY. 2. DIMENSIONS IN BRACKETS [] ARE IN METRIC UNITS.					
REVISIONS		DESCRIPTION: 1 HOLE LUG			
**	SEE ERN (****) FOR APPROVAL SIGNATURES & RELEASE DATE. PROJECT NO: ****	ORIGINAL PROJECT NO / (ERN NO) / ()	SHEET NO: 1 OF 1	REV. NO: 0	DRAWING NO: WSD-003226 54908BE