

# Mounted Zone Cabling Enclosures and Brackets

## Wall Mounted Rack

## Wall Mounted Swing Frame

# HUBBELL

### Features

- Supports up to 70 lb of equipment in limited space applications
- Rear wall mounting aligns with 16" on center studs
- Quick release latches allow for left or right hinging

### Ordering Information

Rack Units	Depth	Catalog Number	UPC Number
26	18"	HPWWMR48	662620809465

### Listings

EIA/ECA-310-E Universal Mounting Pattern

### Specifications

Material	Cold rolled steel
Frame Gauge	12
Brace Gauge	12
Finish	Black powder coat
Mount	#12-24 Threaded

### Characteristics

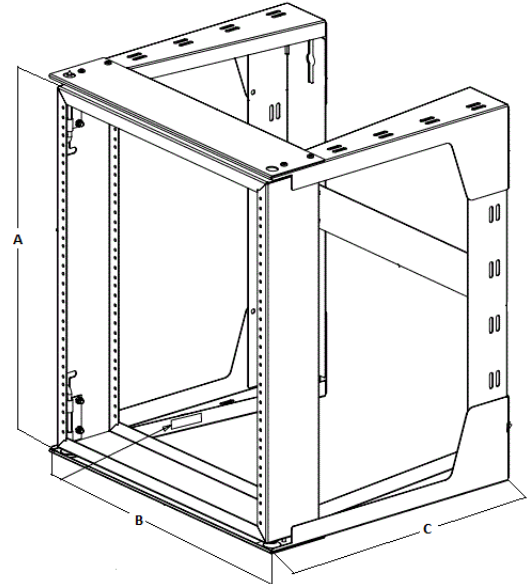
Access	Swing Frame
Load Capacity	70 lb
Rack Units	26

### Accessories

Black Velcro Roll	HVFBK575
9" Velco Strips, Yellow	MCCMV9YL10
#12-24 Screws	1224RRSCRW20

### Online Resources

Customer Drawing  
Customer Use Drawing  
eCatalog



### Dimensions- inches (mm)

A	45.4" (1153)
B	19.5" (495)
C	18" (457)

