

# RADIANT® SCREWLESS WALL PLATES

## | RWP26 SERIES

Redesigned Screwless wall plates feature a lower, more modern profile in keeping with today's design trends.

Aesthetically pleasing contour design.

One-piece plastic subplate mounts over the device for easy retrofit and lower profile.



An extra 3/8" width and height than standard size wall plates for more tolerance in covering ragged sheet rock openings.

Opening accommodates all NEMA 26-opening devices.

### Description

radiant® dimmers are all about style. A step above the standard with no unsightly screws, this modern, low-profile wall plate instantly elevates the look of radiant dimmers and other NEMA 26 sized electrical devices and receptacles.

Part of the redesigned radiant collection of lighting dimmers, Legrand's broad offering of screwless wall plates are a step above ordinary with modern low profiles that fit more flush to the wall than standard wall plates.

### Operation

radiant wall plates assemble with two primary components. A subplate screws to properly align the wall plate to the controls device. The radiant screwless wall plate then simply snaps into position to the subplate.

### Wattstopper Dimmers

These wall plates color-match radiant devices and are equipped with one-piece plastic subplates and screws to align devices and ensure proper positioning.

### Applications

radiant screwless wall plates are ideal for residential and commercial applications looking for a clean aesthetic for their wall switches, wall box occupancy sensor and wall box dimming lighting controls.

### Features

- Low profile and modern design
- Molded of rugged .065" thick polycarbonate
- One-piece plastic subplate mounts over the device for easy retrofit.
- Subplate screws align devices to ensure proper positioning of wall plates
- An extra 3/8" width and height than standard size wall plates for more tolerance in covering ragged sheet rock openings
- Opening accommodates all NEMA 26 opening devices
- Part of the radiant® collection
- Works with all NEMA 26 opening devices

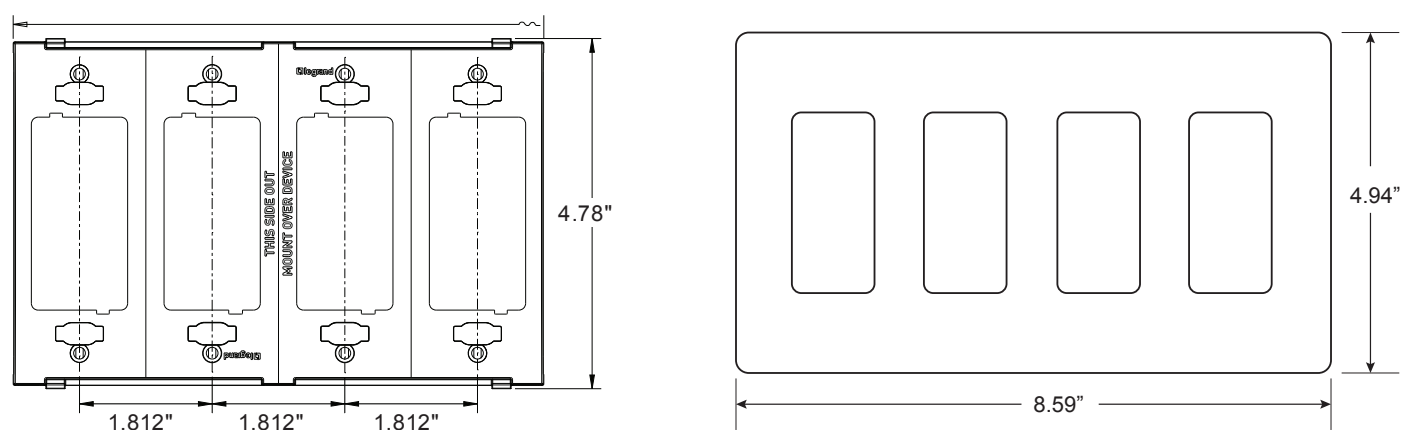
PROJECT	LOCATION/ TYPE

## Specifications

- Wall Plate Dimensions
  - 1 gang: 3.15" x 4.94"
  - 2 gang: 4.96" x 4.94"
  - 3 gang: 6.77" x 4.94"
  - 4 gang: 8.59" x 4.94"
  - 5 gang: 10.40" x 4.94"
  - 6 gang: 12.21" x 4.94"
- Subplate Dimensions
  - 1 gang: 1.81" x 4.78" x .15"
  - 2 gang: 3.62" x 4.78" x .15"
  - 3 gang: 5.44" x 4.78" x .15"
  - 4 gang: 7.25" x 4.78" x .15"
  - 5 gang: 9.06" x 4.78" x .15"
  - 6 gang: 10.87" x 4.78" x .15"

## Installation

### Example of 4 gang Subplate and Wall Plate



Align subplate over NEMA 26 sized electrical devices and receptacles. Affix subplate with included screws to electrical wall box. Secure tightly, but avoid over torquing screws. Snap on radiant screwless wall plate to subplate.

## Ordering Information

Catalog #	Description	Color
<input type="checkbox"/> RWP26*	radiant screwless wall plate, 1 Gang	*Add color suffix to part number
<input type="checkbox"/> RWP262*	radiant screwless wall plate, 2 Gang	W - White
<input type="checkbox"/> RWP263*	radiant screwless wall plate, 3 Gang	LA - Light Almond
<input type="checkbox"/> RWP264*	radiant screwless wall plate, 4 Gang	I - Ivory
<input type="checkbox"/> RWP265*	radiant screwless wall plate, 5 Gang	BK - Black
<input type="checkbox"/> RWP266*	radiant screwless wall plate, 6 Gang	GRY - Gray
		Leave blank - Brown

radiant is a registered trademark of Legrand