

LIGHTING AND PLUG LOAD POWER PACK

| BZ-200

High-efficiency switching
power supply

Plenum rated

Zero crossing for reliability and
increased product life

Load On/Off button to verify wiring



UL listed for controlled receptacles
to meet energy code requirements

Low voltage overcurrent protection

120-277VAC; 50/60Hz



Description

The BZ-200 power pack switches connected loads On and Off in response to Wattstopper low voltage occupancy sensors. It also provides up to 225mA at 24VDC to power the sensors. This device is constructed with environmentally friendly materials and is RoHS-compliant.

Operation

The BZ-200 consists of a high-efficiency switching power supply and a high-current relay. It has an input of 120-277 VAC, 50/60Hz, and an integral On/Off button to switch out power, allowing the installer to quickly verify load operation. Following installation, the power pack turns the connected load On and Off automatically based on occupancy sensor input.

Features

- Efficient switching power supply provides optimized current output based on number of sensors
- Includes short circuit and thermal protection
- LED indicates status of relay or presence of low-voltage overcurrent
- UL 2043 plenum rated for cost-effective installation
- UL listed for control of lighting and plug loads
- Tested to NEMA 410 criteria for electronic ballast and driver inrush current
- 1/2" threaded nipple attaches to standard electrical enclosures through 1/2" knockouts
- 12 AWG wires on the relay for 20A operation
- The product meets the materials restrictions of RoHS
- BAA/TAA-compliant models available

Plug Load Rating

Increasingly, energy codes require control of selected receptacles and the BZ-200 is UL Listed for this application as well as for lighting and HVAC applications. A BZ-200 power pack dedicated to plug load control can leverage occupancy sensors installed for lighting control, minimizing the cost of complying with the new codes and increasing return on investment.

Applications

The BZ-200 power pack is flexible enough to control lighting circuits, plug load circuits, or HVAC loads including self-contained air conditioners, pumps, fans, motors and motorized damper controls. It is well-suited for any application which requires high-voltage switching through low-voltage controls. Each power pack can power multiple sensors with a combined power draw of up to 225mA. For applications multiple loads, including lighting and plug loads, up to four power packs may be wired in parallel to one or more sensors.

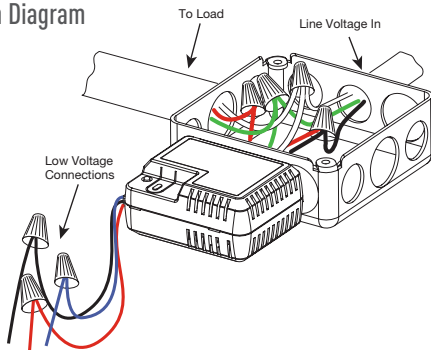
PROJECT	LOCATION/ TYPE

Specifications

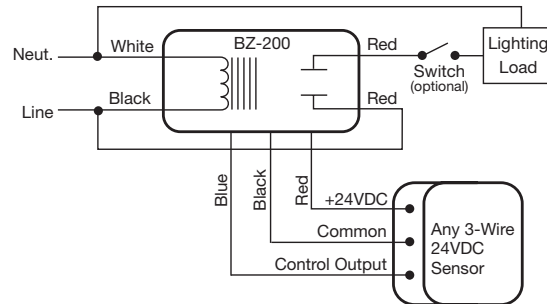
- Input/output voltage: 120-277VAC, 50/60Hz
- Secondary output: 24VDC, 225mA (with relay connected)
- Low-voltage leads rated for 300 volts
- UL-rated 94 V-0 plastic enclosure
- Operating conditions: -4 to 131° F (-20 to 55° C); 5-95% RH, non condensing
- Dimensions: 1.5" x 3" x 2.4" (37mm x 77mm x 61mm)
H x W x D with .6" L (15mm) threaded nipple
- UL and cUL listed: UL244A, UL508 and C22.2 No. 14-10
- Five year warranty

Installation and Wiring

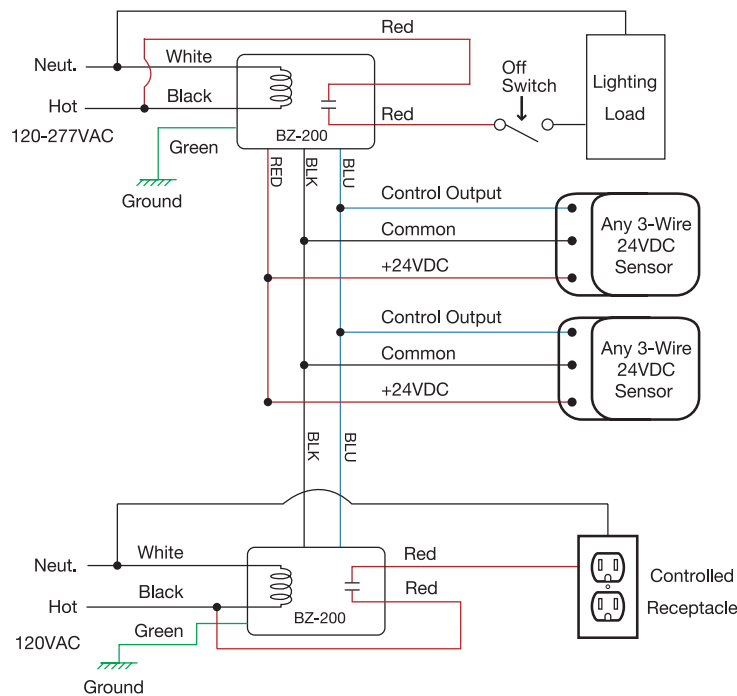
Installation Diagram



Wiring to Occupancy Sensor



Power Packs for Parallel Control of Lighting and Plug Loads



Ordering Information

Catalog #	Input Voltage	Output	Load Ratings			
			Ballast/ELV/ MLV Incan/LED	E-Ballast CFL	Motor	Plug Load
<input type="checkbox"/> BZ-200	120-277VAC, single phase; 50/60Hz	24VDC, 225mA	20A	16A	1HP	20A
<input type="checkbox"/> BZ-200-U						

-U = BAA/TAA compliant. Product is compliant with Buy American Act and Trade Agreement Act

1. All Wattstopper power packs should be installed in accordance with state, local, and national electrical codes and requirements.
2. Power packs are designed to attach to existing or new electrical enclosures with .5" 125.40mmJ knockout (check electrical codes in your area).
3. Most applications require UL-listed, 18-22 AWG, 3-conductor, Class 2 cables for low-voltage wiring. For plenum return ceilings use UL-listed plenum-approved cables.