



RECTANGULAR DIE CAST STEP-LIGHT

Project: _____

Fixture Type: _____

Location: _____

Contact/Phone: _____

7W or 9W COMPACT FLUORESCENT LAMP

PL115

PRODUCT DESCRIPTION

PL Housing designed for use in non-insulated areas • If installed where insulation is present, the insulation must be pulled back 3" from all sides of the PL housing.

PRODUCT SPECIFICATIONS

Lamp One 7W/9W twin tube CFL lamp.

Socket Horizontal mounted in housing.

Ballast 120V normal power factor magnetic • UL Listed/CSA certified.

Trims Available in white or black baked enamel on cast aluminum
• Fastens to housing with two allen head screws • Opal diffuser supplied with all trims.

Labels UL listed for wet locations, concrete pour approved and IP • Union made • UL Listed/CSA certified.

Testing All reports are based on published industry procedures; field performance may differ from laboratory performance.

Specifications subject to change without notice.

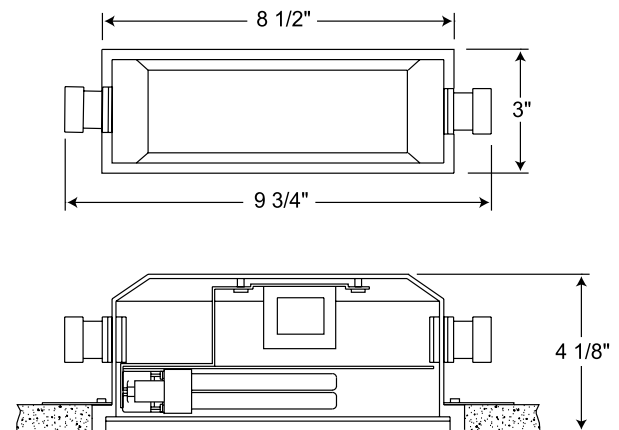
INSTALLATION

Mounting Two brackets supplied for nailing unit to studs.

Junction Box (2) ½" conduit compression connections and ground.


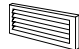
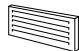
Housing Die cast aluminum painted white • Gasketed for wet location
• 8½" L x 3" H x 4⅛" D.

DIMENSIONS



8 1/2" X 3" WALL CUTOUT

ORDERING INFORMATION: Housing and trim can be ordered together or separate, but will always ship separately.

Example (Housing): PL115 120		Example (Trim): 835 WH	Example (Together): PL115 120 835 WH
Series	Voltage	Trims	Trim Finish
PL115	120 120V	835 Full Opal Lens Step Light Trim 	BL Black WH White
		836 Opal Lens with Grill Step Light Trim 	
		837 Opal Lens with Angeled Louvers Step Light Trim 	

Trim Size: 9 ¾" L x 3 ⅝" H

Lamp Rating: 7W or 9W Twin Tube CFL.