



Project: \_\_\_\_\_

Fixture Type: \_\_\_\_\_

Location: \_\_\_\_\_

Contact/Phone: \_\_\_\_\_

# 6" HEAT LAMP TC HOUSING AND TRIM

250W HEAT LAMPS

TC1173



## PRODUCT DESCRIPTION

TC Housing design for use with R40 heat lamps in non-insulated areas • Ships complete with open frame trim.

## PRODUCT SPECIFICATIONS

**Lamp** Type R40 heat lamps only, 250W max.

**Socket** Medium base porcelain with nickel-plated copper screw shell • Drop socket with spring to accommodate trim installation.

**Trims** Open frame trim (251) ships complete with housing.

**Labels** U.L. listed for through-branch wiring, damp locations and IP • Product thermally protected against improper use of lamps or insulation • Union made • CSA certified.

**Testing** All reports are based on published industry procedures; field performance may differ from laboratory performance.

Product specifications subject to change without notice.

## INSTALLATION

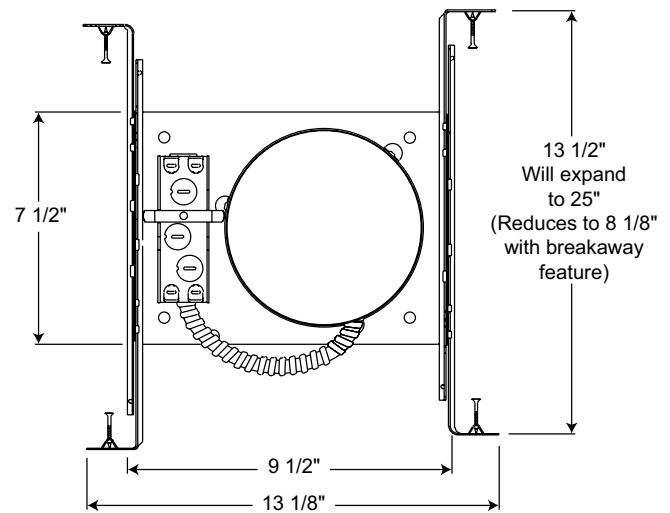
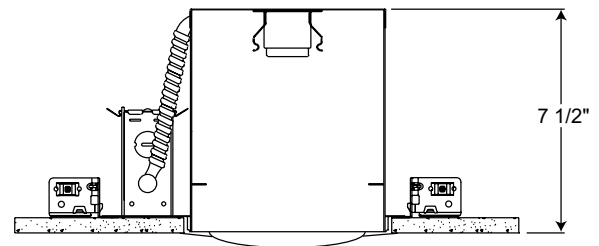
**Real Nail 3 Bar Hangers** Telescoping, Patented (US Patent D522,969) Real Nail 3 system permits quick placement of housing anywhere within 24" O.C. joists or suspended ceilings • Integral T-bar notch and clip secures housing in suspended ceiling grid – no accessory clips required • 24" expansion stop allows quick placement of fixture in standard grid spacing • Bars scored in two locations for fast, clean breaking, allowing housing installation in tight applications • Bars captive to mounting frame • Edge-mounted for extra strength • Captive bugle-headed ring shank nail for quick one-step installation and easy removal with claw hammer for fixture relocation • Quick-Loc slot (location identified on the mounting frame) and oversized locking set screw lock fixture in position • Bar hanger foot contoured to align to bottom of construction joist • Alternate mounting holes included.

**Junction Box** Pre-wired junction box provided with (5) 1/2" and (1) 3/4" knockouts, (4) Non-metallic sheathed cable connectors and ground wire, CSA certified for through-branch wiring, maximum 8 No. 12 AWG 90° C branch circuit conductors (4 in, 4 out) • Junction box provided with removable access plates • Knockouts equipped with pryout slots.

**Mounting Frame** 22-gauge die-formed galvanized steel mounting frame • Rough-in section (junction box, mounting frame, housing and bar hangers) fully assembled for ease of installation • Sight lines embossed on mounting frame to allow for easy viewing when aligning fixtures.

**Housing** TC housing, 22-gauge white painted steel • Housing is vertically adjustable to accommodate up to a 2" ceiling thickness.

## DIMENSIONS



6 7/8" CEILING CUTOUT

## TRIMS/LAMPS

Cat. No.	Description	Max. Lamp Rating
251 PW ◆	6" Downlight Open Frame Trim - White	250W R40 Heat Lamp



Trim Size: 8" O.D.

Note: In Canada when insulation is present, Type IC fixtures must be used.

## PRODUCT CODES

Catalog Number	Input Voltage	Lamp Rating
TC1173 251 WH 6" Incandescent Shallow Shower Light CSA	120V	250W R40