



LED Lamps

Type: _____
 Project/Location: _____
 Contractor: _____
 Prepared By: _____
 Date: _____
 Model No.: _____

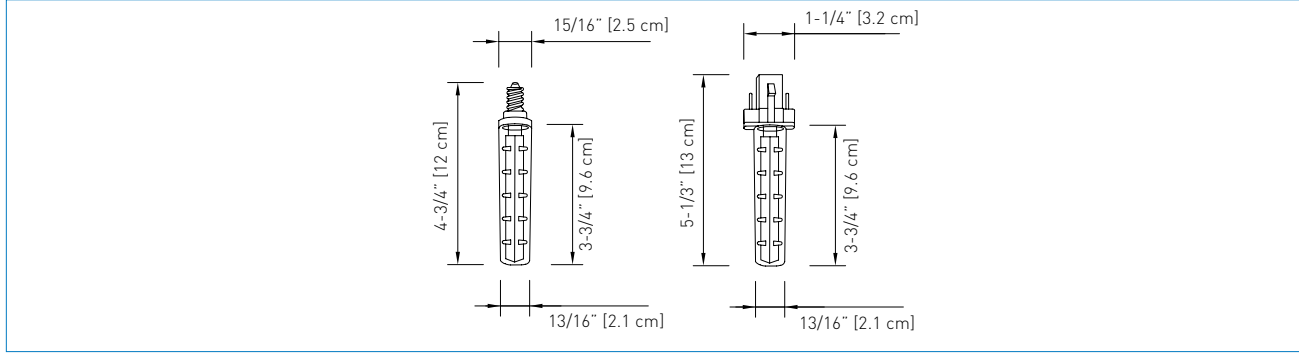
BULB SERIES

- Quick and easy to install
- Available with a wide range of lamp bases for quick lamp to lamp replacement
- Long-life, energy-efficient **ALINGAP** LED technology
- 120VAC or 120VAC with in-line diode



DIMENSIONS

Dimensions are approximate and subject to change.



POWER CONSUMPTION

MODEL	AC SPECS		DC SPECS	
BULB I	120VAC	0.90W	N/A	N/A
BULB II	120VAC	2.6W	120VDC	2.6W

ORDERING INFORMATION

SERIES	BASE
BULBI/HB = standard version BULBII/HB = with or without in-line diodes (2.5W), high brightness	C = candelabra I = intermediate M = medium B = bayonet F = G23 compact fluorescent

EXAMPLE: BULBI-C