

Advantages to reduce your cost and improve installation flexibility.

- 250A, 240V AC breakers up to 100kAIC.



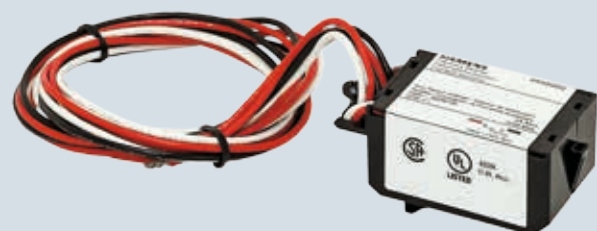
- Updated design includes push-to-trip button.
- Field installable internal accessories increase flexibility.
- Field installable external accessories for handle blocking/locking and interlocking.



- UL, CSA, and NOM certified for use anywhere in the NAFTA market.



- Modernization of previous breaker accessories in order to comply with QR Circuit Breakers.



General Information

The Siemens QR circuit breaker has a compact design for use in North American markets. Features include the ability to handle higher interrupting ratings and higher inrush currents, as well as available UL listed field installable internal accessories.

Applications:

- Implemented in load centers, panelboards, switchboards, meter centers, and modular metering
- Use by OEMs in control panels and a variety of other 240V applications

Operating Conditions:

- Standard QR breakers are calibrated at 40°C ambient temperatures. Operation at higher temperatures will require derating.
- Enclosures are available for installing QR breakers in factory environments (NEMA 1, 12), as well as outdoors (NEMA 3R, 4X, and 4X 316 Stainless Steel)

250A Frame

- UL489
- CSA-C22.2
- NOM-003
- Series Ratings
- HACR Rating
- 10 kA, 25 kA, 65 kA, 100 kA @ 240V AC
- Push-to-trip button
- UL-Listed Field Installable Internal Accessories
- Cable-in, cable-out design
- Enclosures available in NEMA 1, 12, 3R, 4X, and 4X 316 Stainless Steel
- Reverse Feed



General Information

QR2 Breaker 10kA *

| Ampere Rating | 2 Pole Catalog Number | 3 Pole Catalog Number |
|---------------|-----------------------|-----------------------|
| 100 | QR22B100 | QR23B100 |
| 125 | QR22B125 | QR23B125 |
| 150 | QR22B150 | QR23B150 |
| 175 | QR22B175 | QR23B175 |
| 200 | QR22B200 | QR23B200 |
| 225 | QR22B225 | QR23B225 |
| 250 | QR22B250 | QR23B250 |

QRH2 Breaker 25kA *

| Ampere Rating | 2 Pole Catalog Number | 3 Pole Catalog Number |
|---------------|-----------------------|-----------------------|
| 100 | QRH22B100 | QRH23B100 |
| 125 | QRH22B125 | QRH23B125 |
| 150 | QRH22B150 | QRH23B150 |
| 175 | QRH22B175 | QRH23B175 |
| 200 | QRH22B200 | QRH23B200 |
| 225 | QRH22B225 | QRH23B225 |
| 250 | QRH22B250 | QRH23B250 |

HQR2 Breaker 65kA *

| Ampere Rating | 2 Pole Catalog Number | 3 Pole Catalog Number |
|---------------|-----------------------|-----------------------|
| 100 | HQR22B100 | HQR23B100 |
| 125 | HQR22B125 | HQR23B125 |
| 150 | HQR22B150 | HQR23B150 |
| 175 | HQR22B175 | HQR23B175 |
| 200 | HQR22B200 | HQR23B200 |
| 225 | HQR22B225 | HQR23B225 |
| 250 | HQR22B250 | HQR23B250 |

HQR2H Breaker 100kA *

| Ampere Rating | 2 Pole Catalog Number | 3 Pole Catalog Number |
|---------------|-----------------------|-----------------------|
| 100 | HQR22B100H | HQR23B100H |
| 125 | HQR22B125H | HQR23B125H |
| 150 | HQR22B150H | HQR23B150H |
| 175 | HQR22B175H | HQR23B175H |
| 200 | HQR22B200H | HQR23B200H |
| 225 | HQR22B225H | HQR23B225H |
| 250 | HQR22B250H | HQR23B250H |

*Load side lugs are supplied as standard. If both line and load side lugs are needed, add "L" to the end of the catalog number.

Molded Case Switch

| Amperes | Voltage | Poles | Interrupting Rating | Catalog Number |
|---------|---------|-------|---------------------|----------------|
| 250 | 240 | 3 | 100kA | HQR23S250HA |

Internal Accessories

Shunt trips and auxiliary switches are operational devices that are contained within an add-on module for the QR circuit breakers. Each module can be installed in the field.

Shunt Trip – A shunt trip is used to trip the breaker remotely. It is operated by providing voltage to the shunt trip coil. The coil in this device is designed to be energized momentarily, so included is a built-in limit switch which opens the coil circuit after the breaker trips. With the circuit breaker in the tripped position, voltage cannot be applied through the coil circuit due to the open contacts in the limit switch. The operational range of this device is (70 to 110%) of the marked voltage rating.

Auxiliary Switches – Auxiliary switches are used for remote indication of breaker contact position (ON or OFF). Each switch consists of "A" (normally open) and "B" (normally closed) contacts with a common connection. These devices are typically used for signaling purposes.



QR breakers with accessories installed



Accessories

Shunt Trip

| Control Voltage | | Shunt Trip | Shunt Trip and Auxiliary Switch Combination |
|-----------------|----|----------------|---|
| AC | DC | Catalog Number | Catalog Number |
| - | 24 | S07QR2 | S07QR2A |
| 120 - 240 | 48 | S01QR2 | S01QR2A |

Auxiliary Switch - Contains (1) or (2) sets of "A" contacts and "B" contacts.

| Maximum Control Supply Voltage (V) | Maximum Allowable Current (A) | Single Auxiliary 1A -1B Contact Catalog Number | Double Auxiliary 2A - 2B Contact Catalog Number |
|------------------------------------|-------------------------------|--|---|
| 250 AC /125 DC | 5 AC / 0.5 DC | A01QR2 | A02QR2 |

Terminal Connectors

| Type | Breaker Amp Rating (A) | Wire Size | Wire Grip Screw Torque | Lug Catalog Number |
|--------------------|------------------------|-----------------------------|------------------------|---------------------------|
| Aluminum Connector | 100 - 250 | #3 - 1/0 AWG Al/Cu | 100 in-lb (11.3 N-m) | 3TA1QR300 (Kit of 3) |
| | | 2/0 AWG - 300 Kcmil Al/Cu | 225 in-lb (25.4 N-m) | |
| Copper Connector | 100 - 250 | #3 - 1/0 AWG Cu ONLY | 100 in-lb (11.3 N-m) | 3TC1QR250 (Kit of 3) |
| | | 2/0 AWG - 300 Kcmil Cu ONLY | 225 in-lb (25.4 N-m) | |
| Compression Lug | 100 - 250 | #6 AWG - 350kcmil Al/Cu | N/A | CCQ250 (Kit of 1) |
| Lug Retainer | 100 - 250 | - | - | QRLUGRETAINR (Kit of 10)* |

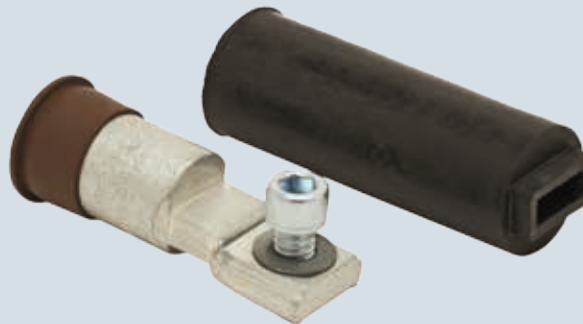
* To move lugs from line side to load side QRLUGRETAINR is required.



Copper Connector
TC1QR250



Aluminum Connector
TA1QR300



Compression Lug CCQ250

External Accessories

| Description | Catalog Number |
|------------------------------|----------------|
| Padlock Device | HPLQR |
| Mounting Screw Kit | MSQR3 |
| Handle Blocking Device | HBLQR |
| Handle Sliding-bar Interlock | SBMIQR |

Padlock Device HPLQR^①



Handle Block Device HBLQR^②



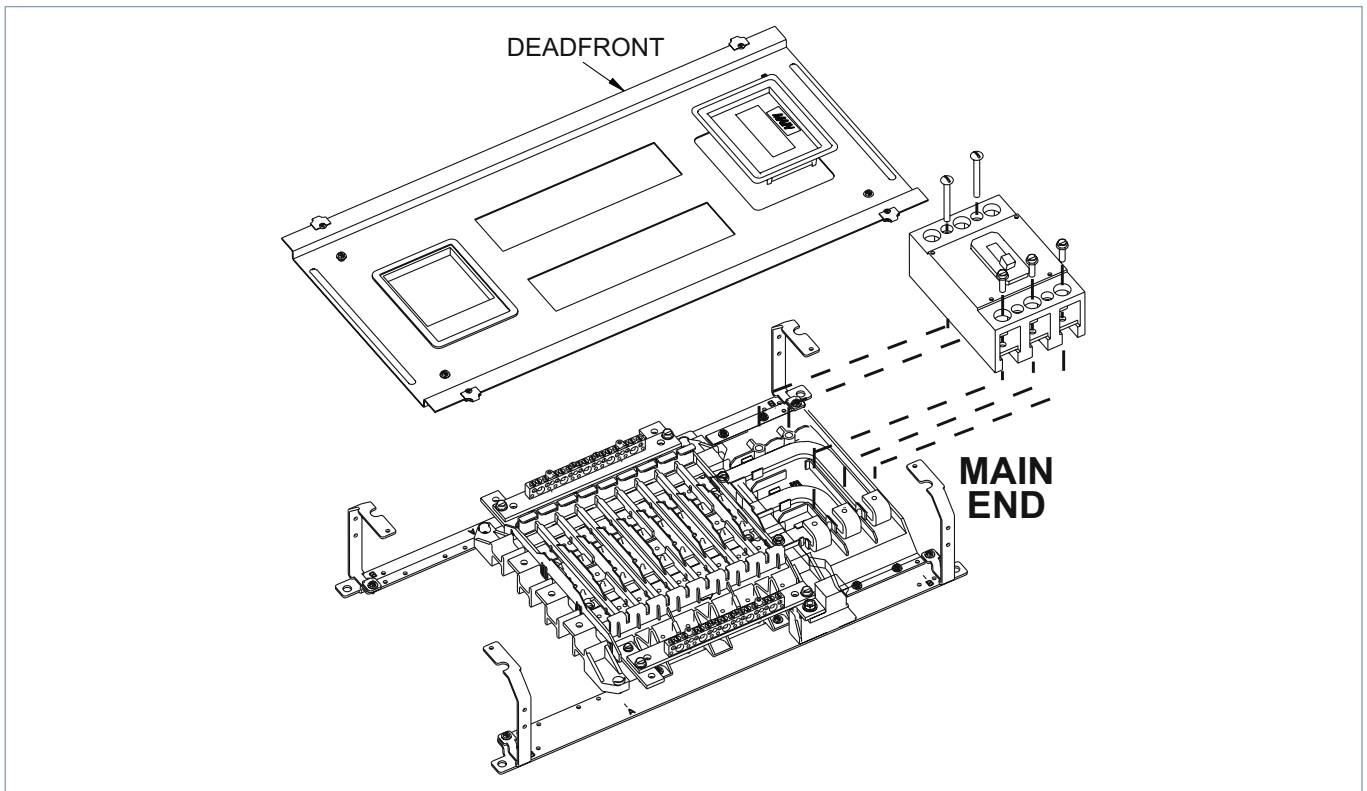
Mechanical Interlock



① Can be used to lock breaker handle in OFF or ON positions.

② Can be used to block breaker handle in OFF or ON positions.

Panelboard Kits



Panelboard Kits

| Catalog Number | Description | Works With | | |
|----------------|--|---------------|-------|-----------------|
| | | Breaker Poles | Phase | Panelboard Type |
| MBKQR1A | RP1 Panelboard Kit for Main or Subfeed QR Breakers 1Phase | - | 1 | RP1 |
| MBKQR3A | RP1 Panelboard Kit for Main or Subfeed QR Breakers 3Phase | - | 3 | RP1 |
| MBKQR1 | P1 Panelboard Kit for Main or Subfeed QR Breakers 1Phase | - | 1 | P1 |
| MBKQR3 | P1 Panelboard Kit for Main or Subfeed QR Breakers 3Phase | - | 3 | P1 |
| BBKQR1 | P2 Panelboard Strap Kit for Branch Mounting of QR Breakers 2P or 3P | 2, 3 | - | P2 |
| BBKQR2 | P2 and P3 Panelboard Strap Kit for Branched Twin Mounting of QR Breakers | 2, 3 | - | P3 |
| MBKQRFK | P1/RP1 Horizontal Mount Space Filler Kit for 1Phase/3Phase QR | 2, 3 | - | P1/RP1 |
| BBKQRP1FK | P2 Horizontal/Vertical Mount Space Filler Kit for 1Phase/3Phase QR | - | 1, 3 | P2 |
| BBKQRP2FK | P3 Horizontal Dual Mount Space Filler Kit for 1Phase/3Phase QR | - | 1, 3 | P3 |
| MBKQRC1FK | C1 Main Position Space Filler Kit for 1Phase/3Phase | - | 1, 3 | C1 |

Enclosures

NEMA 1

A general indoor, sheet-steel enclosure for use in normal atmospheres. Listed as service entrance equipment.

NEMA 3R

An outdoor, sheet-steel enclosure providing protection against driving rain, sleet or snow. Listed as service entrance equipment.

NEMA 12

A special-industry, sheet-steel enclosure for use in atmospheres containing particles of lint, dust, dirt, sawdust and other foreign matter.

NEMA 4, 4X

Stainless steel indoor or outdoor enclosure designed for use in areas where serious corrosion problems exist. They provide a degree of protection against windblown dust, rain, splashing water and hose-directed water. Available in both 304 Stainless Steel and 316 Stainless Steel, Meets NEMA Type 1, 3, 4, 4X, 12 and 13 requirements and UL 508 Type 4 and 4X requirements.

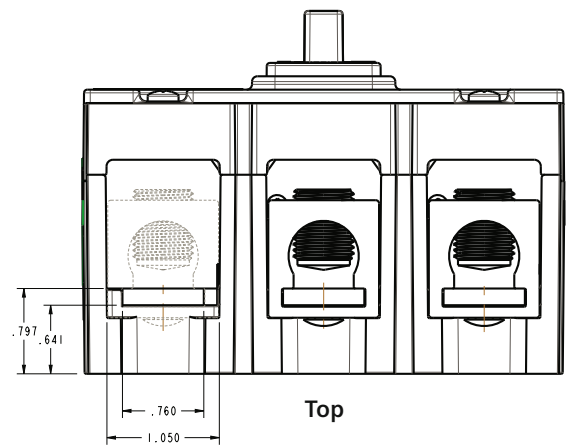
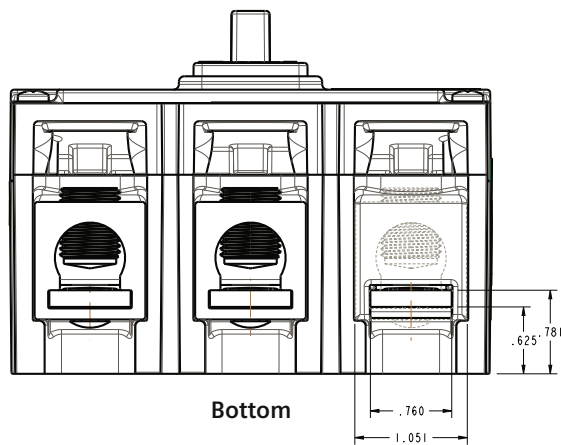
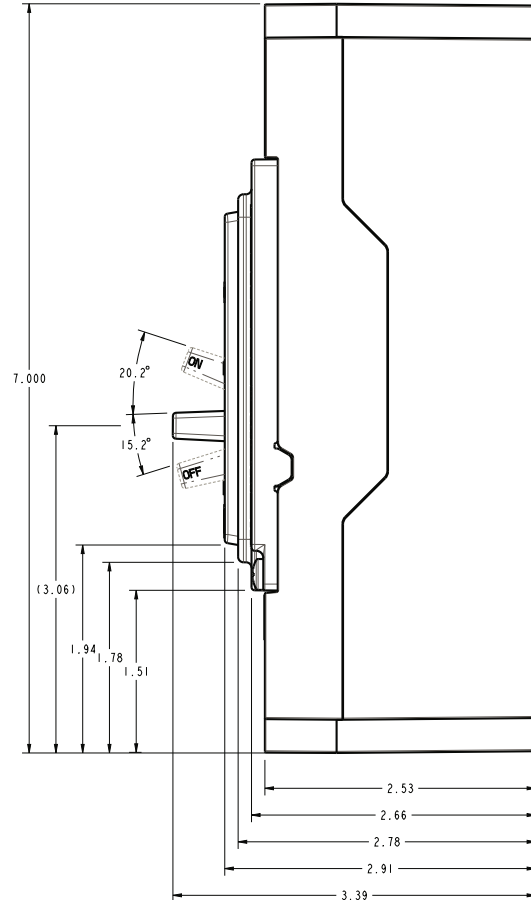
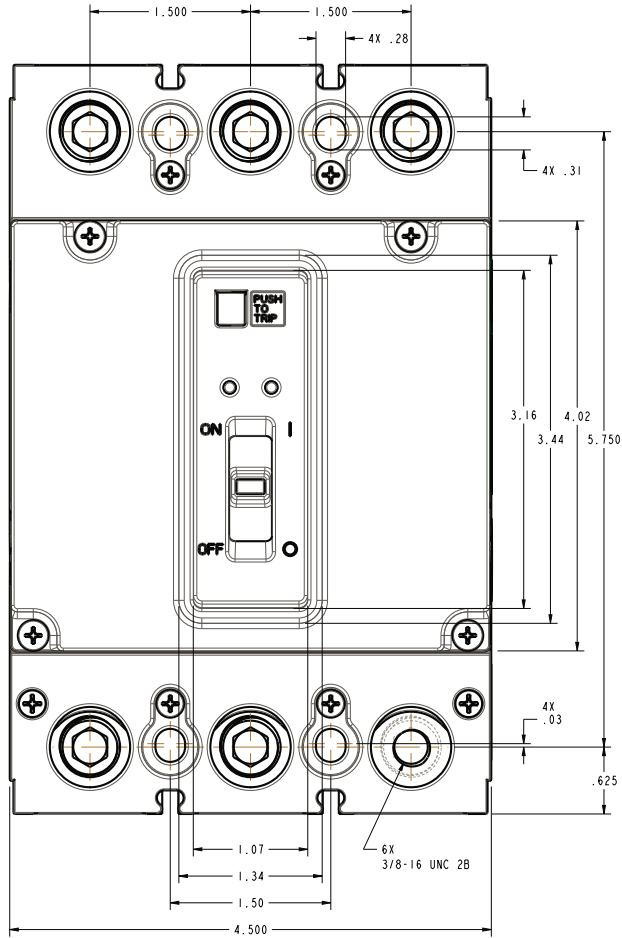


NEMA 3R Enclosure QR2N3R3

| Enclosure Type | Mounting | Poles | Ampere Rating | Catalog Number |
|--|----------|-------|---------------|----------------|
| NEMA 1 - Indoor (general duty) | Surface | 2, 3 | 100 - 250 | QR2N1S |
| NEMA 1 - Indoor (general duty) | Flush | 2, 3 | 100 - 250 | QR2N1F |
| NEMA 3R - Outdoor (rain, snow) | Surface | 2, 3 | 100 - 250 | QR2N3R3 |
| NEMA 12 - (particulate matter) | Surface | 2, 3 | 100 - 250 | QR2N12 |
| NEMA 4X - (corrosion, particulates, water) | Surface | 2, 3 | 100 - 250 | QR2N4X |
| NEMA 4X 316 Stainless Steel - (corrosion, particulates, water) | Surface | 2, 3 | 100 - 250 | QR2N4X316 |

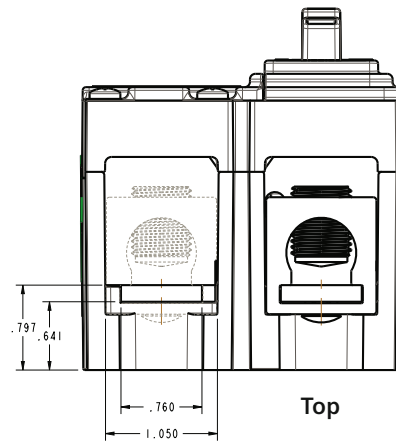
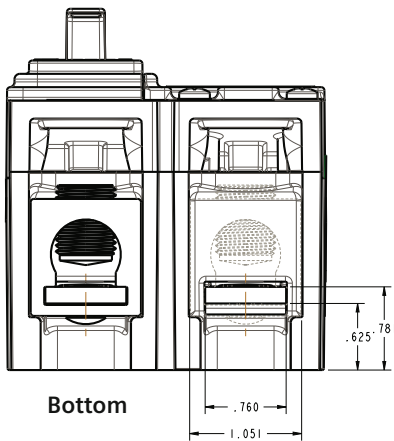
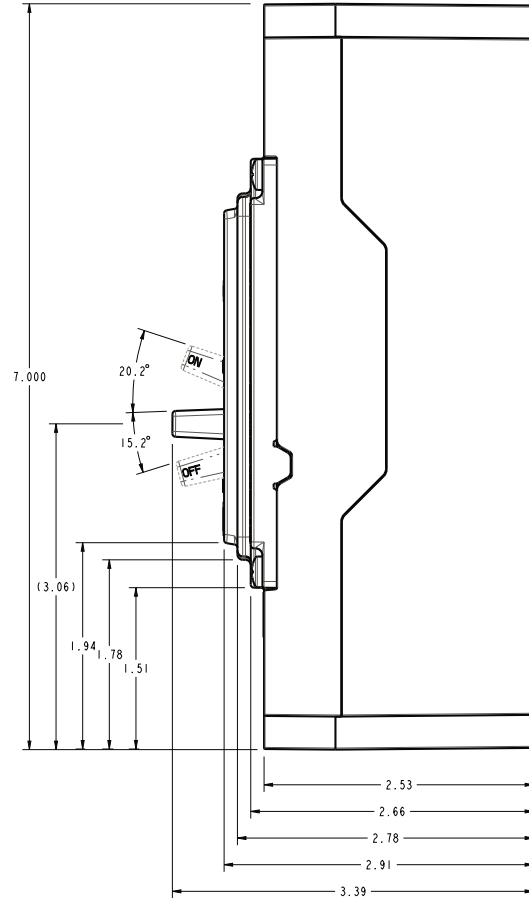
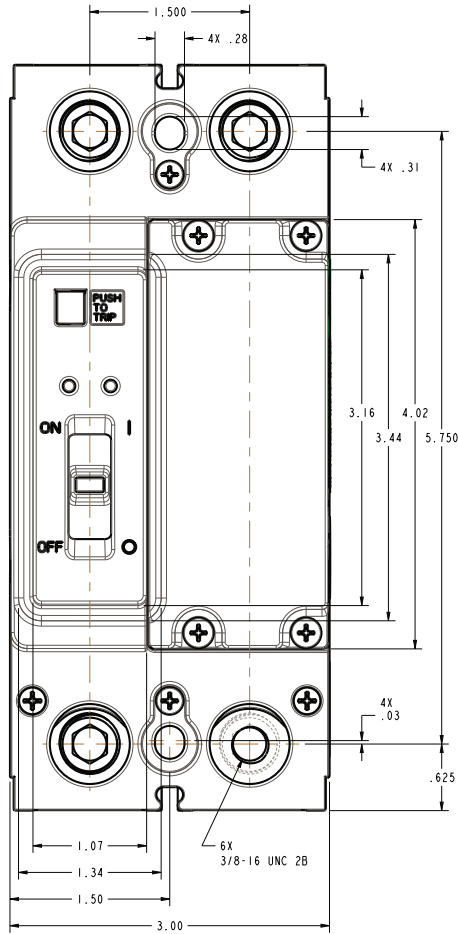
Dimensions

QR Frame Outline Drawing – 3 Pole
(All dimensions in inches)



Dimensions

QR Frame Outline Drawing – 2 Pole
(All dimensions in inches)



Application Data

General

In the application of circuit breakers, consideration should be given to the following factors:

1. Voltage of circuit.
2. Ampacity of circuit.
3. Frequency of power source.
4. Operation conditions.
5. Fault current available.

Voltage of circuit – The system voltage should not exceed the listed voltage rating of the circuit breaker, fuse, or switch.

Ampacity of circuit – The listed continuous current rating of the circuit breaker should not exceed the allowable ampacity of the conductors. Where the allowable ampacity of the conductor does not correspond to listed current ratings for fuse or circuit breakers, the next larger rating of fuses or circuit breakers is permitted providing it does not exceed the conductor ampacity by more than 25%. An exception to this rule is permitted for motor circuits or other circuits where high inrush currents may persist for an appreciable time.

Frequency of power source – Circuit breakers are calibrated for use on direct current of 48-60-Hertz alternating current. For frequencies above 62-Hertz, some fuses, switches and circuit breakers must be derated. The derating varies with each type and size of protective device. Consult your local representative for specific information.

Operating conditions – Molded case circuit breakers and fuses are calibrated without any enclosure as specified by the \ Underwriters' Laboratories, Inc. Sound engineering practice dictates that continuous loads should not exceed 80% of the breaker or fuse current rating for most applications.

Electrical connections – Molded Case Circuit Breakers are to be connected with 60 or 75°C wire for breakers having a rated ampacity of 125 amperes or less. For circuit breakers

having a rated ampacity greater than 125 amperes, only 75°C cable shall be used unless otherwise indicated on the circuit breaker label.

Note: Exceptions to this rule are outlined in Article 110-14-C(1) and C(2) of the 2005 National Electric Code.

Conductors should be derated in accordance with the Nation Electrical Code for both ambient temperature and continuous loading. Conductors which are loaded continuously should be derated to 80% of their allowable current-carrying capacity except when supplied by an assembly including its overcurrent device that is listed for continuous operation at 100% of its rating.

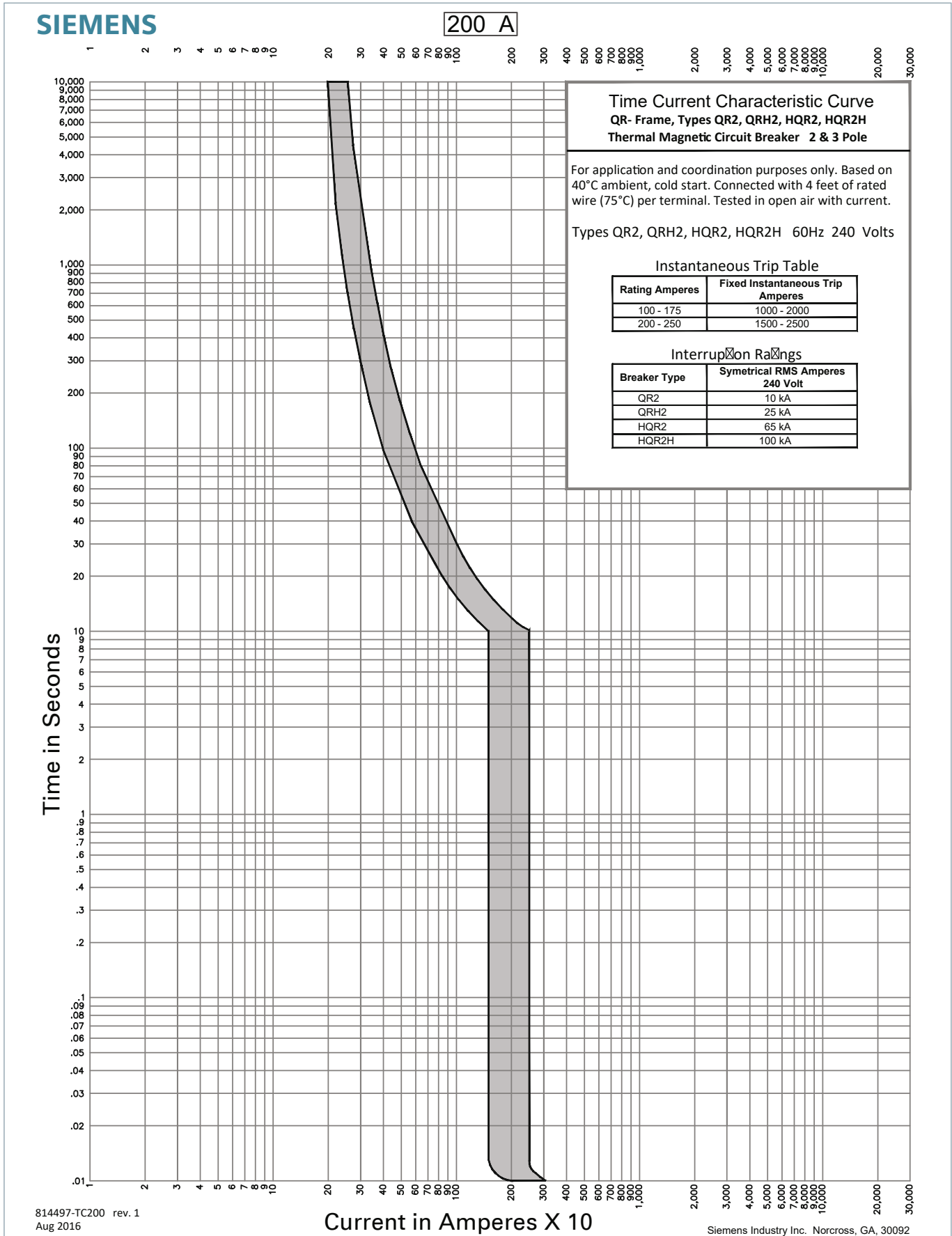
When the type of load is unusual, intermittent, or one which involves momentary peak currents such as motor loads, consideration should be given to the heating effect on the protective device over a period of time. The duty cycle of a motor which is started and stopped frequently may require a circuit breaker or fuses with a higher rating than an infrequently started motor.

The presence of excessive dust, moisture, corrosive fumes, or explosive atmosphere requires the use of enclosures suitable for such atmospheres. For application in regions where fungus growth may occur, some circuit breakers should be treated with a fungus and moisture resistant material.

Fault current available – The interrupting rating of the circuit breaker should be greater than the available short circuit current at the point of application. The short circuit current from some power sources, such as engine driven generators, is limited, and the protective device characteristics should be selected to clear such faults without delay.

Some systems require a study of protective device characteristics to assure proper protection and coordination for any possible value of fault current.

Time Current Curve



Notes:

Siemens Industry, Inc.
5400 Triangle Parkway
Norcross, GA 30092

1-800-241-4453
info.us@siemens.com

Subject to change without prior notice
Order No.: CBBR-QRBPG-0117
All rights reserved
Printed in USA
© 2017 Siemens Industry, Inc.

Subject to changes and errors. The information given in this document only contains general descriptions and/or performance features which may not always specifically reflect those described, or which may undergo modification in the course of further development of the products. The requested performance features are binding only when they are expressly agreed upon in the concluded contract.