



Catalog Number
Notes
Type

# Contractor Select™ OLWX LED Wall Pack

The OLWX LED wall packs are energy-saving, long-life replacements for traditional metal halide wallpacks. The OLWX family is compact and powerful, delivering up to 18,200 lumens. The OLWX1 and OLWX2 offer several mounting options that provide versatility to meet your applications' needs.

### FEATURES:

- Replaces 70W - 400W HID lamps, saves 85% energy
- IP65 rated - perfect for outdoor environments even when shining upward or downward. Back box accessory available for conduit wiring
- Yoke and slip fitter accessories - can be used as a wall pack or flood light



Catalog Number	UPC	Description	Replaces Up To	Lumens	Wattage	CCT	Voltage	Finish	Pallet qty.
OLWX1 LED 13W 40K M4	888791000115	WALL PACKS	70W METAL HALIDE	1,289	14W	4000K	120-277V	DARK BRONZE	60
OLWX1 LED 20W 40K M4	888791000184	WALL PACKS	175W METAL HALIDE	2,663	20W	4000K	120-277V	DARK BRONZE	60
OLWX1 LED 40W 40K M4	888791000696	WALL PACKS	250W METAL HALIDE	4,079	37W	4000K	120-277V	DARK BRONZE	60
OLWX2 LED 90W 40K DDB M2	888791000818	WALL PACKS	400W METAL HALIDE	10,000	78W	4000K	120-277V	DARK BRONZE	60

More configurations are available. [Click here](#) or visit [www.acuitybrands.com](http://www.acuitybrands.com) and search for OLWX LED.

Accessories: Order as separate catalog number.	
OLWX1TS	Slipfitter – size 1
OLWX1YK	Yoke – size 1
OLWX1THK	Knuckle – size 1
OLWX2TS	Slipfitter – size 2
OLWX2YK	Yoke – size 2



## Specifications

### INTENDED USE:

The versatility of the OLWX1 LED combines a sleek, low-profile wall pack design with energy efficient, low maintenance LEDs for replacing up to 400W metal halide fixtures. Mounting accessories are available to convert the OLWX1 LED into an energy efficient flood light.

The versatile design of the OLWX2 LED combines a sleek, low-profile wall pack and high-output LEDs to provide an energy efficient, low maintenance LED wall pack suitable for replacing up to 400W metal halide luminaires. Available floodlight mounting accessories convert the OLWX2 LED into a highly efficient floodlight.

### CONSTRUCTION:

Cast-aluminum housing with textured dark bronze polyester powder paint for durability. Integral heat sinks optimize thermal management through conductive and convective cooling. LEDs are protected behind a glass lens. Housing is sealed against moisture and environmental contaminants (IP65 rated). See Lighting Facts label and photometry reports for details.

### ELECTRICAL:

Light engine consists of high-efficiency Chip On Board (COB) LED with integrated circuit board mounted directly to the housing to maximize heat dissipation and promote long life (L73/100,000 hours at 25°C). Electronic drivers have a power factor >90% and THD <20% and a minimum 2.5kV surge rating. Flood light mounting accessories include an additional 6kV surge protection device. LEDs are available in 4000K and 5000K CCTs.

### INSTALLATION

Easily mounts to recessed junction boxes with the included wall mount bracket, or for surface mounting and conduit entry - with the included junction box with five 1/2" threaded conduit entry hubs. Flood light mounting accessories (sold separately) include knuckle, integral slipfitter and yoke mounting options. Each flood mount accessory comes with a top visor and vandal guard. Luminaire may be wall or ground mounted in downward or upward orientation.

### LISTINGS:

UL Listed to U.S. and Canadian safety standards for wet locations. Rated for -40° C minimum ambient. Tested in accordance with IESNA LM-79 and LM-80 standards. DesignLights Consortium® (DLC) qualified product. Not all versions of this product may be DLC qualified. Please check the DLC Qualified Products List at [www.designlights.org](http://www.designlights.org) to confirm which versions are qualified.

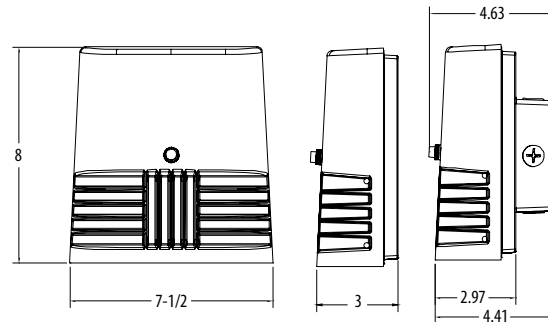
### WARRANTY:

5-year limited warranty. Complete warranty terms located at:

[www.acuitybrands.com/CustomResources/Terms\\_and\\_conditions.aspx](http://www.acuitybrands.com/CustomResources/Terms_and_conditions.aspx)

**Note:** Actual performance may differ as a result of end-user environment and application. All values are design or typical values, measured under laboratory conditions at 25 °C. Specifications subject to change without notice.

## Dimensions



### OLWX1

Width: 7-1/2"(19cm)

Height: 8"(20.3cm)

Depth: 3"(7.62cm)

Weight: 5lbs(2.27kg)

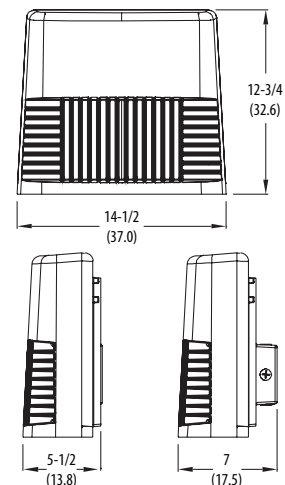
### OLWX2

Width: 14-1/2"(37.0cm)

Height: 12-3/4"(32.6cm)

Depth: 5-1/2"(13.8cm)

Weight: 15.4lbs(6.9kg)



All dimensions are inches (centimeters) unless otherwise indicated.