



Catalog Number
Notes
Type

Contractor Select™

# JEBL

## LED High Bay Light

The JEBL is built to last with 6kV surge protection standard, 55°C ambient temperature rating, and IP65 rated for elimination of dust, moisture and airborne contaminants. The unique, quick-connect driver-to-optical assembly interface allows for quick and easy maintenance for applications including warehousing, gymnasiums, manufacturing and outdoor canopies.



### FEATURES:

- Robust 6kV surge protection standard, meeting the ANSI standard for Industrial Environments
- Mounting heights up to 30 feet. It is listed for wet locations and IP65 rated to help protect against dust, and airborne contaminants from indoor and outdoor environments
- The removeable quick-disconnect driver housing that allows for easy field replacement of the LED driver, eliminating the need to replace the entire fixture



Catalog Number	UPC	Description	Replaces up to	Lumens	Input Watts	CCT	Voltage	Distribution	Pallet Qty.
JEBL 12L 40K 80CRI WH	00191848153840	JEBL LED High Bay	4-lamp T5HO, 6-lamp t8	13,286	92.4W	4000K	120-277	General	45
JEBL 12L 50K 80CRI WH	00191848153901	JEBL LED High Bay	4-lamp T5HO, 6-lamp t8	13,190	92.4W	5000K	120-277	General	45
JEBL 18L 40K 80CRI WH	00191848153895	JEBL LED High Bay	6-lamp T5HO, 8-lamp T8, 400W HID	19,680	136W	4000K	120-277	General	45
JEBL 18L 50K 80CRI WH	00191848153888	JEBL LED High Bay	6-lamp T5HO, 8-lamp T8, 400W HID	19,770	136W	5000K	120-277	General	45
JEBL 24L 40K 80CRI WH	00191848153918	JEBL LED High Bay	6-lamp T5HO, 8-lamp T8, 400W HID	26,559	181.6W	4000K	120-277	General	20
JEBL 24L 50K 80CRI WH	00191848153956	JEBL LED High Bay	6-lamp T5HO, 8-lamp T8, 400W HID	26,189	181.6W	5000K	120-277	General	20
JEBL 30L 40K 80CRI WH	00191848153925	JEBL LED High Bay	10-lamp T5HO, 575W HID	31,423	218W	4000K	120-277	General	20
JEBL 30L 50K 80CRI WH	00191848153932	JEBL LED High Bay	10-lamp T5HO, 575W HID	32,824	218W	5000K	120-277	General	20

Accessories: Order as separate catalog number.			
JEBLPCLR1 M4	Polycarbonate clear reflector for 12L and 18L	JEBLSMB2 M6	Surface mount bracket for 24L and 30L
JEBLDALR1 M4	Diffuse Aluminum reflector for 12L and 18L	JCBLS120	Safety cable 120"
JEBLPCLR2 M4	Polycarbonate clear reflector for 24L and 30L	JCBLS240	Safety cable 240"
JEBLDALR2 M4	Diffuse Aluminum reflector for 24L and 30L	JEBLWG1 M6	Lens wireguard for 12L and 18L <sup>1</sup>
JEBLSMB1 M6	Surface mount bracket for 12L and 18L	JEBLWG2 M6	Lens wireguard for 24L and 30L <sup>1</sup>

### NOTES

1. Compatible with optional reflectors.



## Specifications

### INTENDED USE:

The Lithonia Lighting JEBL LED High bay is an affordable LED solution for users who prefer a luminaire with the look and feel of a round form factor. The JEBL delivers comfortable and uniform lighting from mounting heights up to 30ft. Certain airborne contaminants can diminish integrity of acrylic and/or polycarbonate. [Click here for Acrylic-Polycarbonate Compatibility table for suitable uses.](#)

### CONSTRUCTION:

JEBL features a white diecast aluminum housing along with a removable diecast aluminum driver housing. Optional clear polycarbonate or diffuse aluminum reflectors available separately.

### OPTICS:

A .16" thick clear tempered glass lens protects LEDs. Placement, spacing, and aperture of LEDs provides a 120 degree spread of light.

### ELECTRICAL:

High-efficiency LEDs. 0-10V dimming standard for a dimming range of 100% to 10%. Input voltage is MVOLT(120-277V). Suitable for 50/60Hz. 6kV/3kA of surge protection is standard.  
L90 > 54,000 hours.

### INSTALLATION:

1/4" NPT eye bolt with 1/2" thick loop and 17 3/4" cord with dimming lead provided for easy installation. Optional surface mount bracket allows flexibility by adjusting in 15 degree increments for a total range of 150 degrees.

### LISTINGS:

UL/C-UL listed to US and Canadian Safety Standards. Wet location listed. For use under covered ceilings. For use in ambient temperatures from -40°F (-40°C) to 131°F (55°C). IP65 rated.

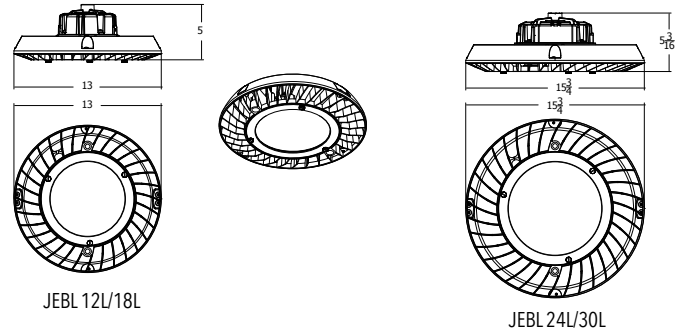
DesignLights Consortium® (DLC) Premium qualified product. Not all versions of this product may be DLC Premium qualified. Please check the DLC Qualified Products List at [www.designlights.org/QPL](http://www.designlights.org/QPL) to confirm which versions are qualified.

### WARRANTY:

5-year limited warranty. Complete warranty terms located at: [www.acuitybrands.com/CustomerResources/Terms\\_and\\_conditions.aspx](http://www.acuitybrands.com/CustomerResources/Terms_and_conditions.aspx)

**Note:** Actual performance may differ as a result of end-user environment and application. All values are design or typical values, measured under laboratory conditions at 25 °C. Specifications subject to change without notice.

## Dimensions



All dimensions are inches (centimeters) unless otherwise indicated.