

## Ground Rod Accessories and Ground Plates

For joining non-threaded, copper-bonded steel ground rods.

### Threadless Couplings and Driving Cap

- Couplings manufactured of high-strength, corrosion-resistant copper alloy
- High-strength hardened steel driving cap prevents “mushrooming” of ground rod while driving to ensure proper fit of coupling



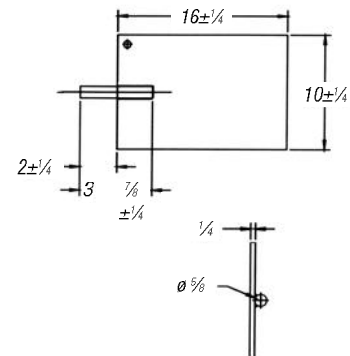
CAT. NO.	DESCRIPTION	DIMENSIONS (IN.)	
		LENGTH	DIAMETER
50LCNT*	1/2" L Threadless Coupling	3.0	.78
60CNT2*	3/8" Threadless Coupling	2.5	.69
70CNT*	3/4" Threadless Coupling	3.0	.97
60DSNT	3/8" Threadless Driving Cap	4.0	.88

\* UL® Listed.

As efficient as two 10-ft. x 5/8" ground rods.

### Galvanized Ground Plates

- 1/4" thick, hot-dipped galvanized
- Must be buried at least 600mm (24") below finish grade level, according to CEC Rule 10-702



CAT. NO.	DESCRIPTION	CONDUCTOR RANGE
1016TB	Galvanized Ground Plates	#8 Sol. to 1/0 Str.
1016BTB	Galvanized Ground Plates with JAB58H Connector	#8 Sol. to 1/0 Str.

## Ground Plates

More efficient than butt-wrapping poles.

### Type GP — Copper Pole Bottom Ground Plates for Multigrounded Neutral Construction

- Made of electrolytic sheet copper
- Built-in high-pressure connector for ground lead, or supplied with #6 AWG copper pigtail pre-attached
- Plates are grooved for trapping moisture



CAT. NO.	PIGTAIL WIRE RANGE				DIAMETER OF PLATE	
	MIN.	MAX.	MIN. (MM <sup>2</sup> )	MAX. (MM <sup>2</sup> )	(IN.)	(MM)
GP100	#14 Str.	#4 Sol.	6.3	25.6	7½	191
GP110	#14 Str.	#4 Sol.	6.3	25.6	10	254
GP114	#14 Str.	#4 Sol.	6.3	25.6	14	356
GP1003	#6 AWG Solid Cu Pigtail with 18" Conductor		—	—	7½	191
GP1008	#6 AWG Solid Cu Pigtail with 8-ft. Conductor		—	—	7½	191
GP1108	#6 AWG Solid Cu Pigtail with 8-ft. Conductor		—	—	10	254

Installed cost considerably less than butt-wrapped poles.

### Type PB — Copper Pole Ground Plates

- Installed on butt end of utility poles to provide an economical, low-resistance neutral ground
- Plate portion fabricated of .025" pure copper
- PBGW connector is eye-bolt type, cast of corrosion-resistant aluminum bronze alloy, with silicon bronze nut and lockwasher
- PBH connector features riveted all-copper terminal lug for connecting to grounding conductor



CAT. NO.	WIRE RANGE SURFACE AREA		FINISHED SIZE	SQ. IN.
	MAX.	MIN.		
PBGW	2/0 Str.	#10 Sol.	7 x 7½	56
PBH <sup>‡</sup>	#4 Str.	#14 Sol.	7 x 7½	56

<sup>‡</sup> RUS Accepted.