



# LSD-3K

## Mini Die-Cast LED Step Light



Project: \_\_\_\_\_

Location: \_\_\_\_\_

Qty: \_\_\_\_\_

Notes: \_\_\_\_\_

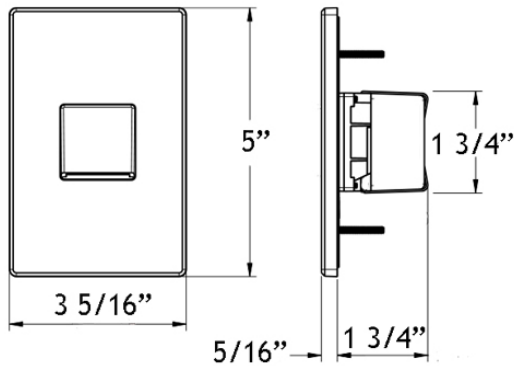
### DESCRIPTION

Light by Lotus Step or Wall Light can be used Indoor & Outdoor  
Great for highlighting stairs, walls & walkways  
Dual Horizontal & Vertical mounting option in one fixture

### FEATURES & BENEFITS

- 2.5W total power consumption
- No remote driver needed
- Fits into 2" x 4" junction box
- ETL listed for wet locations

**DIMENSIONS**      3 5/16" x 5"      Faceplate Thickness 5/16"



SPECIFICATION	
Applications	Stairways, Walkways, Patios, Decks
Energy Used (W)	2.5 W
Color Temperature (K)	3000 K
Light Output (lm)	125 lm
Halogen Equivalent	15 W
CRI	90 +
Input	120 V AC
Dimming	Not dimmable
Ambient Temperature	-4° F (-20° C) to +104° F (+40° C)
Approved Location	Wet & Dry
Projected Life	70% Light Output at 50,000 Hours
Certification	cETLus
Warranty	5 Year

### Mounting and Trim Options



White Horizontal

White Vertical



Black Horizontal

Black Vertical

### ORDERING GUIDE

CCT	Trim Color	Model
3000K	White	LSD-3K-WH
3000K	Black	LSD-3K-BK

Other Light and Trim Colors Available  
By Custom Order

Lotus LED Lights CANADA

800 – 15355 24th Ave, Box 200, Surrey, BC V4A 2H9 tel 604-538-3090  
Warehouses: Delta BC & Mississauga ON

www.LotusLEDLights.com

Lotus LED Lights USA

250 H Street # 301, BLAINE WA 98230 tel 360-200-5500  
Warehouses: Hainesport NJ, Naples FL, Dallas TX, Las Vegas NV, Lynnwood WA