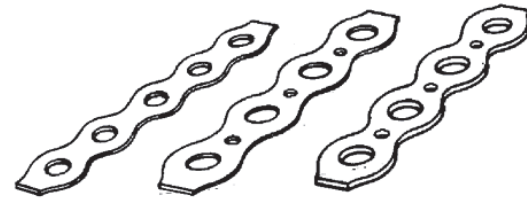


Hangers and Straps

All-Round Strapping



Handy Dispenser Carton



1/2" - 22GA | 3/4" - 24GA | 3/4" - 20GA

- 1/2" straps have 3/16" bolt holes
- 3/4" straps have large holes for 1/4" bolts and small 1/8" holes for screw or nails

GALVANIZED STEEL

Description	Max Load lbs	Part Number	List CDN\$	Box/Mstr
1/2" x 25' - 24 Gauge	95	9049	4.98	20
3/4" x 10' - 24 Gauge	130	9043	2.80	40
3/4" x 25' - 24 Gauge	130	9047	4.22	20
3/4" x 100' - 24 Gauge	130	9048	17.04	5
3/4" x 25' - 20 Gauge	210	9040	5.60	20
3/4" x 100' - 20 Gauge	210	9045	27.89	5

NYLON COATED (Galvanized Steel)

Description	Max Load lbs	Part Number	List CDN\$	Box/Mstr
1/2" x 10' - 24 Gauge	110	9090	7.76	40
1/2" x 25' - 24 Gauge	110	9080	17.11	20
3/4" x 25' - 24 Gauge	130	9085	19.10	20

SOLID COPPER

Description	Max Load lbs	Part Number	List CDN\$	Box/Mstr
1/2" x 10' - 22 Gauge	60	9053	12.18	40
1/2" x 25' - 22 Gauge	60	9050	19.68	20
3/4" x 25' - 24 Gauge	55	9060	24.29	20
3/4" x 25' - 20 Gauge	130	9070	31.02	20

STEEL

Description	Max Load lbs	Part Number	List CDN\$	Box/Mstr
1/2" x 10' - 22 Gauge	110	9015	2.31	40
1/2" x 25' - 22 Gauge	110	9010	3.15	20
3/4" x 10' - 24 Gauge	130	9021	2.54	40
3/4" x 25' - 24 Gauge	130	9020	3.67	20
3/4" x 100' - 24 Gauge	130	9025	13.72	5
3/4" x 25' - 20 Gauge	210	9030	6.67	20
3/4" x 100' - 20 Gauge	210	9035	28.61	5

* INDICATED MAXIMUM LOAD IS APPROXIMATELY 1/3 OF BREAKING LOAD FOR SINGLE STRAPS.

ANG = Angle, STR = Straight, CP = Chrome Plated, RB = Rough Brass

Hangers and Straps

Tube Clamps



- For 1/2" or 3/4" pipe
- Copper clad or solid copper
- Bags of 10 or 100 clamps with nails included

COPPER CLAD

Description	Part Number	List CDN\$	Box/Mstr
1/2" Copper Clad Tube Clamps, 100/bag	9100	13.73	10
1/2" Copper Clad Tube Clamps, 10/bag	9101	2.77	100
3/4" Copper Clad Tube Clamps, 100/bag	9125	16.44	5
3/4" Copper Clad Tube Clamps, 10/bag	9126	2.93	50

SOLID COPPER

Description	Part Number	List CDN\$	Box/Mstr
1/2" Solid Copper Tube Clamps, 100/bag	9115	28.84	10
1/2" Solid Copper Tube Clamps, 10/bag	9116	4.34	100
3/4" Solid Copper Tube Clamps, 100/bag	9133	45.16	5
3/4" Solid Copper Tube Clamps, 10/bag	9134	5.03	50

Tube Clamps Quantity Discount

5,000 - 24,999 pcs.	Extra 10%
25,000 - 49,999 pcs.	Extra 19%
50,000 pcs. and over	Extra 23.05%

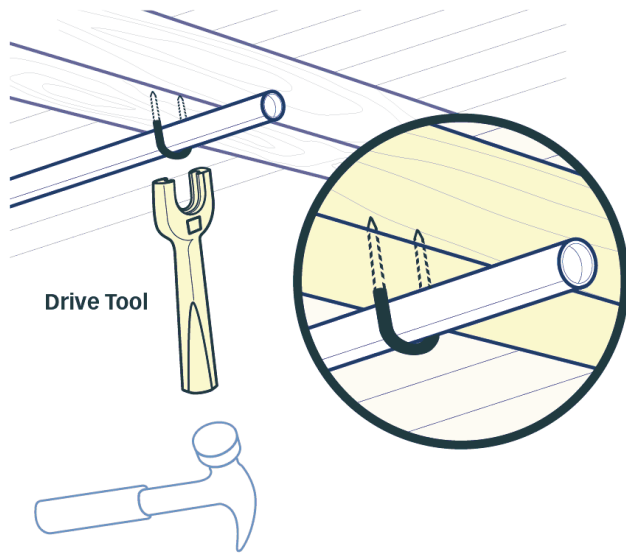
Any type and size Of **Tube Clamps** may be combined for quantity pricing but tube clamps may not be combined U-clips for quantity discounts.

ANG = Angle, STR = Straight, CP = Chrome Plated, RB = Rough Brass

See website for all standard products and specialty items. Call for project pricing.

Hangers and Straps

U-Clips



- 3x faster than conventional clips
- For 1/2" or 3/4" pipes
- Copper or nylon coated, no rust or corrosion problems
- Permits pipe expansion and contraction
- Clip can be soldered to pipe (for copper)

NOTE: Do not install without the Drive Tool, as this may result in deformation of both clip and water pipe.

The Drive Tool holds and drives the clip to correct depth and also gives the clip its final shape for maximum holding power and a good fit on the pipe to prevent rattling noises with expansions and contractions.

COPPER



Description	Part Number	List CDN\$	Box/Mstr
1/2" Copper, 100/bag	9170	52.21	10
1/2" Copper, 10/bag	9171	7.53	50
3/4" Copper, 50/bag	9175	33.33	20
3/4" Copper, 10/bag	9176	8.37	50

NYLON



Description	Part Number	List CDN\$	Box/Mstr
1/2" Nylon, 100/bag	9180	39.93	10
3/4" Nylon, 50/bag	9185	25.55	20

U-Clips - Drive Tools

- Guaranteed for life; if you break it, we'll replace it.

NYLON



Description	Part Number	List CDN\$	Box/Mstr
1/2", Nylon Head	9191	21.21	48
3/4", Nylon Head	9196	26.11	48