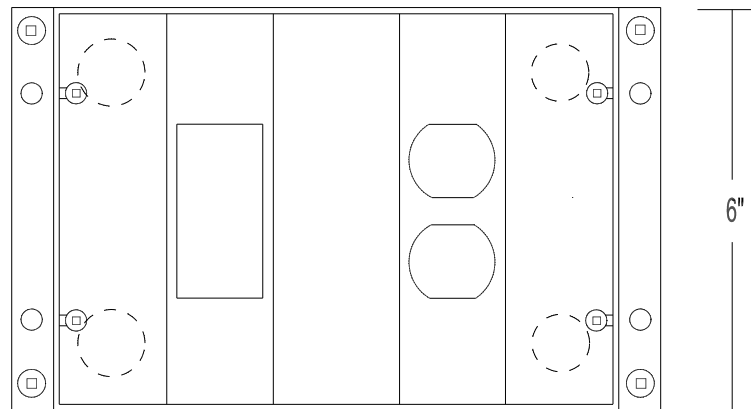
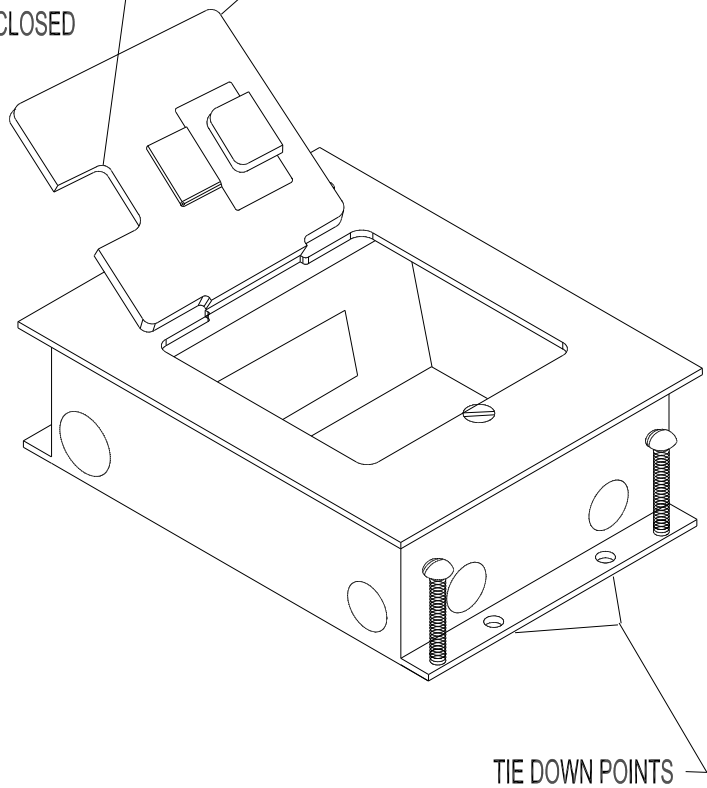


OPENING IN LID  
ALLOWS CABLES TO  
EXIT BOX WHEN  
LID IS CLOSED

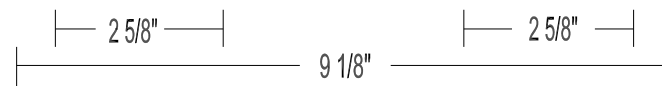
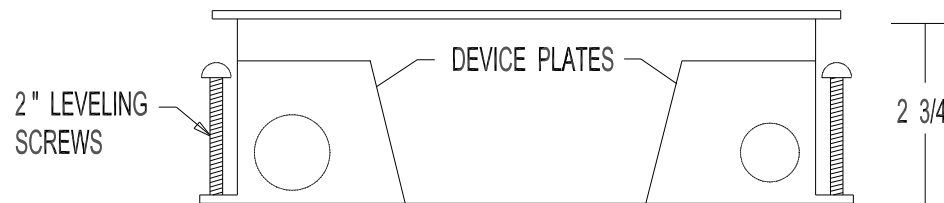
STAINLESS STEEL  
GASKETED LID  
& TRAP DOOR



(1) DECORATOR OPENING  
COMMUNICATION

(1) DUPLEX OPENING  
POWER

TOP VIEW INSIDE BOX



SIDE VIEW



WELLMARK ELECTRIC  
PH: 519-650-4495  
wellmarkelectric.com

MATERIALS: BOX- 16 GA. GALV. STEEL LID & SURROUND- 1/8" STAINLESS STEEL

NOTES: STANDARD KNOCKOUTS - 3/4" POWER 1" COMMUNICATION



TITLE

410 SERIES CONCRETE FLOOR BOX

DIMENSIONS IN INCHES  
UNLESS OTHERWISE SPECIFIED

SCALE NTS

REFERENCE

DR. BY MP

DATE 01/17

PART NO.

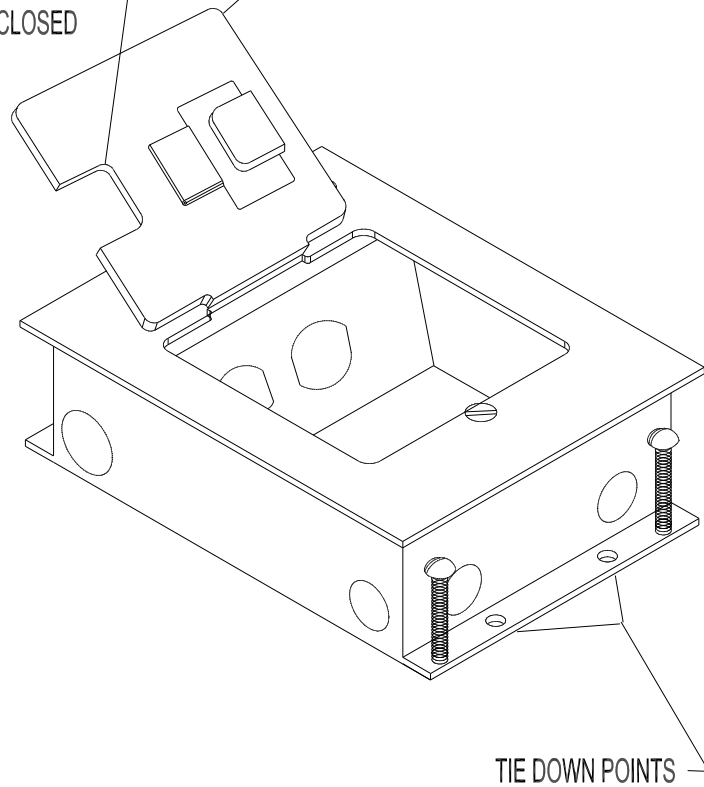
APP. BY

DATE

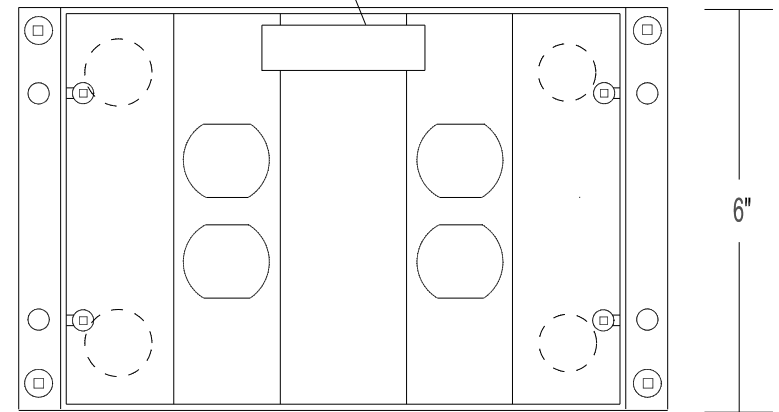
410-1YX-SS

OPENING IN LID  
ALLOWS CABLES TO  
EXIT BOX WHEN  
LID IS CLOSED

STAINLESS STEEL  
GASKETED LID  
& TRAP DOOR



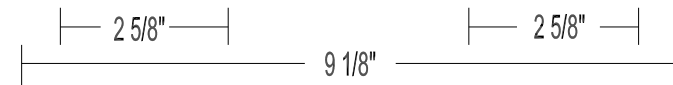
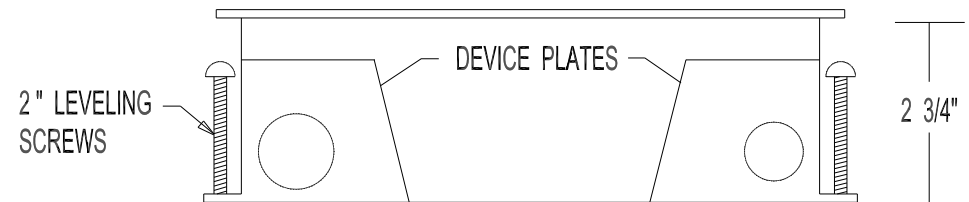
REMOVEABLE TUNNEL 3/8" X 3/4"  
CROSS SECTIONAL SIZE



(1) DUPLEX OPENING  
POWER

(1) DUPLEX OPENING  
POWER

TOP VIEW INSIDE BOX



SIDE VIEW



WELLMARK ELECTRIC  
PH: 519-650-4495  
wellmarkelectric.com

MATERIALS: BOX- 16 GA. GALV. STEEL LID & SURROUND- 1/8" STAINLESS STEEL

NOTES: STANDARD KNOCKOUTS - 3/4" POWER 1" POWER



TITLE

410 SERIES CONCRETE FLOOR BOX

DIMENSIONS IN INCHES  
UNLESS OTHERWISE SPECIFIED

SCALE NTS

REFERENCE

DR. BY MP

DATE 01/17

PART NO.

APP. BY

DATE

410-1YY-SS-TUNNEL