

PHILIPS
Day-Brite
CFI

Recessed

Arioso LED 2x4

ribbed acrylic lens, 3800,
4300, 4900, or 7400 lumens



Project: _____
 Location: _____
 Cat.No: _____
 Type: _____
 Lamps: _____ Qty: _____
 Notes: _____

The Philips Day-Brite / Philips CFI Arioso recessed LED with ribbed acrylic lens offers standard-setting efficiency without aesthetic compromise. These LED luminaires combine state-of-the-art, flexible and globally-recognized LED lighting platforms with proven Arioso optical combinations.

Ordering guide

Example: 2AVEG38L835-4-ACR-UNV-DIM

Width	Family	Ceiling Type	Lumen Package	Color	Length	Shielding	Voltage	Driver	Options
2	AVE	G			4	ACR			
2 2'	AVE Arioso recessed LED	G 15/16" T-Grid or 9/16" Slot Grid	38L 3800 nominal lumens 43L 4300 nominal lumens 49L 4900 nominal lumens 74L 7400 nominal lumens	835 80 CRI, 3500K 840 80 CRI, 4000K	4 4'	ACR 100% frosted ribbed acrylic lens	UNV Universal voltage, 120-277V 347 347V	DIM 0-10V dimming Step dimming to 40% input power (not available for 74L lumen package) SDIM	F1 3/8" flex, 3 wire 18 gauge 6' F2 3/8" flex, 4 wire 18 gauge 6' F1/D 3/8" Twin Flex, 3 Wire 18 gauge 6' for dimmable luminaires F2/SW 3/8" Single Flex, 5 Wire 18 gauge 6' for dimmable luminaires GLR Fusing, Fast Blow EMLED Integral emergency battery pack, 1100lm nominal (ballast enclosure on top of luminaire)

Accessories (order separately)

- AVHD – Hold down clips
- FMA24 – 2'x4' "F" mounting frame for NEMA "F" mounting
- 1AVE/2AVE-ACR – replacement lens
- Electrical wiring options – Consult factory



2AVE Arioso recessed LED ribbed acrylic 2x4

3800, 4300, 4900, or 7400 lumens

Features

- 100% frosted ribbed acrylic lens provides soft, balanced, direct and reflected light.
- Seamless welded form – curved top and side reflectors formed together without any gaps or visual barriers.
- High performance LED technology capable of delivering up to 7400 lm at 74.9W.
- Multiple lumen outputs available to balance energy savings with lighting application needs.
- Ideal for indoor general area lighting – offices, schools, retail and health care applications.
- High lumen package version available for retail applications (7400 lm at 75W) - provides similar light output to a 3-32W T8 luminaire and 12% energy savings.
- 80+ CRI and excellent color consistency.
- High efficiency LEDs have a minimum 50,000 hour rated life (L70).
- Predicted L70 lifetime based on LED manufacturer’s supplied LM-80 data and in-situ laboratory testing.
- Dimming option available.

Construction/Finish

- 20 gauge steel housing assembly.
- 95% reflectance baked white acrylic matte paint finish.

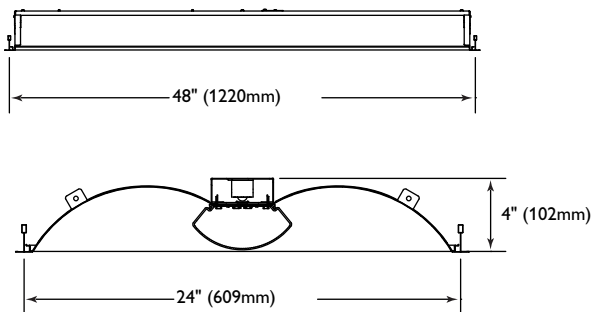
Electrical

- LED boards and drivers are RoHS (Restriction of Hazardous Substances) compliant. For dimming options, consult factory. LED array and driver accessible from below.
- cCSAus listed.

Enclosure

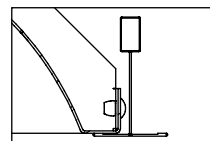
- High performance contoured lens conceals lamp image providing balance between reflected and direct light.

Dimensions

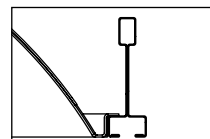


* EMLED is 1-3/4" (45mm) deeper.

Ceiling compatibility for G type luminaire



Suited to standard exposed 15/16" T-grid ceilings



Suited to standard exposed Slot T-grid ceilings

Photometry

Arioso Recessed LED Ribbed Acrylic 2x4, 3800 nominal lumens

LER – 97

Catalog No. 2AVEG38L840-4-ACR Test No. 31664 S/MH 1.3 Lamp Type LED Lumens/Lamp 3920 Input Watts 40.3 Comparative yearly lighting energy cost per 1000 lumens – \$2.47 based on 3000 hrs. and \$.08 pwr KWH.	Candlepower				Light Distribution			
	Angle 0 5 10 15 20 25 30 35 40 45 50 55 60 65 70 75 80 85	End 1345 1341 1320 1284 1234 1169 1092 1001 901 796 683 573 466 364 272 195 124 60	45 1345 1354 1338 1307 1261 1209 1145 1068 986 903 799 699 604 507 416 332 246 136	Cross 1345 1310 1298 1268 1233 1185 1127 1064 992 912 830 743 657 569 483 398 289 121	Degrees 0-30 0-40 0-60 0-90	Lumens 1044 1702 2983 3915	% Luminaire 26.67 43.46 76.19 100.00	
Coefficients of Utilization								
EFFECTIVE FLOOR CAVITY REFLECTANCE 20 PER (pfc=0.20)								
pcc	80			70			50	
pw	70	50	30	70	50	30	50	30
RCR								
0	.119	.119	.119	.116	.116	.116	.111	.111
1	1.09	1.04	1.00	1.06	1.02	.98	.97	.94
2	.99	.92	.85	.97	.90	.83	.86	.81
3	.91	.81	.73	.88	.79	.72	.76	.70
4	.84	.72	.64	.82	.71	.63	.68	.61
5	.77	.65	.56	.75	.63	.55	.61	.54
6	.71	.58	.49	.69	.57	.48	.55	.48
7	.65	.52	.43	.64	.51	.43	.49	.42
8	.61	.47	.39	.59	.46	.38	.45	.38
9	.56	.43	.35	.55	.42	.34	.41	.34
10	.52	.39	.31	.51	.38	.31	.37	.30

2AVE Arioso recessed LED ribbed acrylic 2x4

3800, 4300, 4900, or 7400 lumens

Arioso Recessed LED Ribbed Acrylic 2x4, 4300 nominal lumens

LER – 110

Catalog No. 2AVEG43L840-4-ACR Test No. 31665 S/MH 1.3 Lamp Type LED Lumens/Lamp 4293 Input Watts 39.2 Comparative yearly lighting energy cost per 1000 lumens – \$2.18 based on 3000 hrs. and \$.08 pwr KWH.	Candlepower				Light Distribution											
	Angle	End	45	Cross	Degrees	Lumens	% Luminaire									
	0	1478	1478	1478	0-30	1147	26.74									
	5	1477	1489	1433	0-40	1868	43.57									
	10	1454	1472	1420	0-60	3271	76.29									
	15	1415	1437	1387	0-90	4288	100.00									
	20	1359	1387	1348												
	25	1288	1329	1295												
	30	1202	1258	1233												
	35	1102	1174	1163												
	40	992	1084	1085												
	45	872	983	997												
	50	749	877	906												
	55	627	767	810												
	60	509	660	716												
	65	398	556	618												
70	297	458	524													
75	207	366	430													
80	127	272	304													
85	61	145	123													
Coefficients of Utilization					EFFECTIVE FLOOR CAVITY REFLECTANCE 20 PER (pfc=0.20)											
					pcc			80		70		50				
					pw			70	50	30	70	50	30	50	30	
					RCR											
					0	1.19	1.19	1.19	1.16	1.16	1.16	1.11	1.11	1.11		
					1	1.09	1.04	1.00	1.06	1.02	.98	.97	.94	.94		
					2	.99	.92	.85	.97	.90	.83	.86	.81	.81		
					3	.91	.81	.73	.88	.79	.72	.76	.70			
					4	.84	.72	.64	.82	.71	.63	.68	.62			
					5	.77	.65	.56	.75	.63	.55	.61	.54			
					6	.71	.58	.49	.69	.57	.49	.55	.48			
					7	.65	.52	.43	.64	.51	.43	.50	.42			
					8	.61	.47	.39	.59	.46	.38	.45	.38			
					9	.56	.43	.35	.55	.42	.34	.41	.34			
					10	.52	.39	.31	.51	.38	.31	.37	.30			

Arioso Recessed LED Ribbed Acrylic 2x4, 4900 nominal lumens

LER – 110

Catalog No. 2AVEG49L840-4-ACR Test No. 31666 S/MH 1.3 Lamp Type LED Lumens/Lamp 4854 Input Watts 44.1 Comparative yearly lighting energy cost per 1000 lumens – \$2.16 based on 3000 hrs. and \$.08 pwr KWH.	Candlepower				Light Distribution											
	Angle	End	45	Cross	Degrees	Lumens	% Luminaire									
	0	1667	1667	1667	0-30	1292	26.66									
	5	1668	1683	1610	0-40	2104	43.39									
	10	1642	1663	1594	0-60	3678	75.87									
	15	1597	1623	1556	0-90	4848	100.00									
	20	1533	1565	1515												
	25	1451	1499	1456												
	30	1352	1417	1387												
	35	1238	1321	1309												
	40	1113	1217	1221												
	45	978	1102	1122												
	50	841	980	1021												
	55	704	856	914												
	60	571	735	808												
	65	447	617	697												
70	334	508	592													
75	234	403	484													
80	146	298	326													
85	71	150	125													
Coefficients of Utilization					EFFECTIVE FLOOR CAVITY REFLECTANCE 20 PER (pfc=0.20)											
					pcc			80		70		50				
					pw			70	50	30	70	50	30	50	30	
					RCR											
					0	1.19	1.19	1.19	1.16	1.16	1.16	1.11	1.11	1.11		
					1	1.09	1.04	.99	1.06	1.02	.97	.97	.94	.94		
					2	.99	.91	.85	.97	.89	.83	.86	.80			
					3	.91	.80	.72	.88	.79	.71	.76	.70			
					4	.84	.72	.63	.82	.71	.63	.68	.61			
					5	.77	.64	.56	.75	.63	.55	.61	.54			
					6	.71	.58	.49	.69	.57	.48	.55	.48			
					7	.65	.52	.43	.64	.51	.43	.49	.42			
					8	.61	.47	.39	.59	.46	.38	.45	.38			
					9	.56	.43	.34	.55	.42	.34	.41	.34			
					10	.52	.39	.31	.51	.38	.31	.37	.30			

2AVE Arioso recessed LED ribbed acrylic 2x4

3800, 4300, 4900, or 7400 lumens

Arioso Recessed LED Ribbed Acrylic 2x4, 7400 nominal lumens

LER – 99

Catalog No. 2AVEG74L840-4-ACR Test No. 31667 S/MH 1.3 Lamp Type LED Lumens/Lamp 7400 Input Watts 74.9 Comparative yearly lighting energy cost per 1000 lumens – \$2.42 based on 3000 hrs. and \$.08 pwr KWH.	Candlepower				Light Distribution			
	Angle	End	45	Cross	Degrees	Lumens	% Luminaire	
	0	2560	2560	2560	0-30	1986	26.87	
	5	2563	2587	2468	0-40	3234	43.76	
	10	2523	2556	2446	0-60	5659	76.56	
	15	2453	2495	2390	0-90	7392	100.00	
	20	2355	2406	2325				
	25	2229	2306	2236				
	30	2078	2180	2130				
	35	1902	2034	2013				
	40	1711	1875	1879				
	45	1504	1698	1728				
	50	1291	1512	1573				
	55	1081	1322	1409				
	60	876	1137	1245				
65	686	956	1077					
70	512	783	914					
75	357	626	745					
80	220	460	492					
85	105	220	180					
					Coefficients of Utilization			
					EFFECTIVE FLOOR CAVITY REFLECTANCE 20 PER (pfc=0.20)			
					pcc		50	
					pw		70 50 30	
					RCR		70 50 30	
					0		1.11 1.11	
					1		.98 .95	
					2		.86 .81	
					3		.76 .70	
					4		.69 .62	
					5		.61 .54	
					6		.55 .48	
					7		.50 .42	
					8		.45 .38	
					9		.41 .34	
					10		.38 .30	

Catalog Number	Delivered Lumens	Input Watts	Efficacy lm/W	8'x8' avg fc	8'x8' W/sq ft	8'x10' avg fc	8'x10' W/sq ft
2AVEG38L840-4-ACR	3920	40.3	97	61.2	0.63	48.9	0.50
2AVEG43L840-4-ACR	4293	39.2	110	67.0	0.61	53.6	0.49
2AVEG49L840-4-ACR	4854	44.1	110	75.8	0.69	60.6	0.55
2AVEG74L840-4-ACR	7400	74.9	99	115.5	1.17	92.4	0.94

© 2016 Philips Lighting Holding B.V. All rights reserved.
 Philips reserves the right to make changes in specifications and/or to discontinue any product at any time without notice or obligation and will not be liable for any consequences resulting from the use of this publication.
philips.com/luminaires



Philips Lighting North America Corporation
 200 Franklin Square Drive, Somerset, NJ 08873
 Tel. 855-486-2216

Philips Lighting Canada Ltd.
 281 Hillmount Rd, Markham, ON, Canada L6C 2S3
 Tel. 800-668-9008