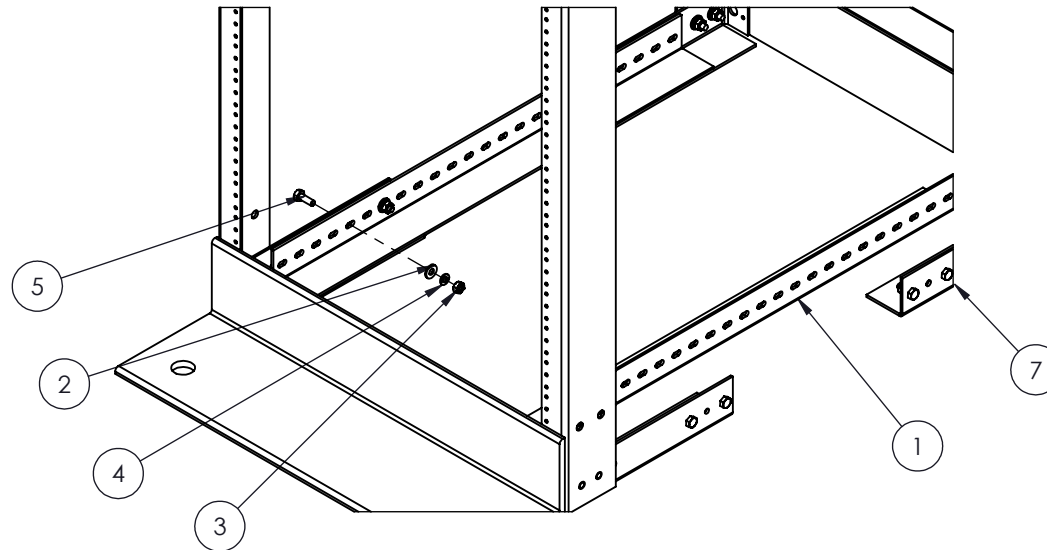
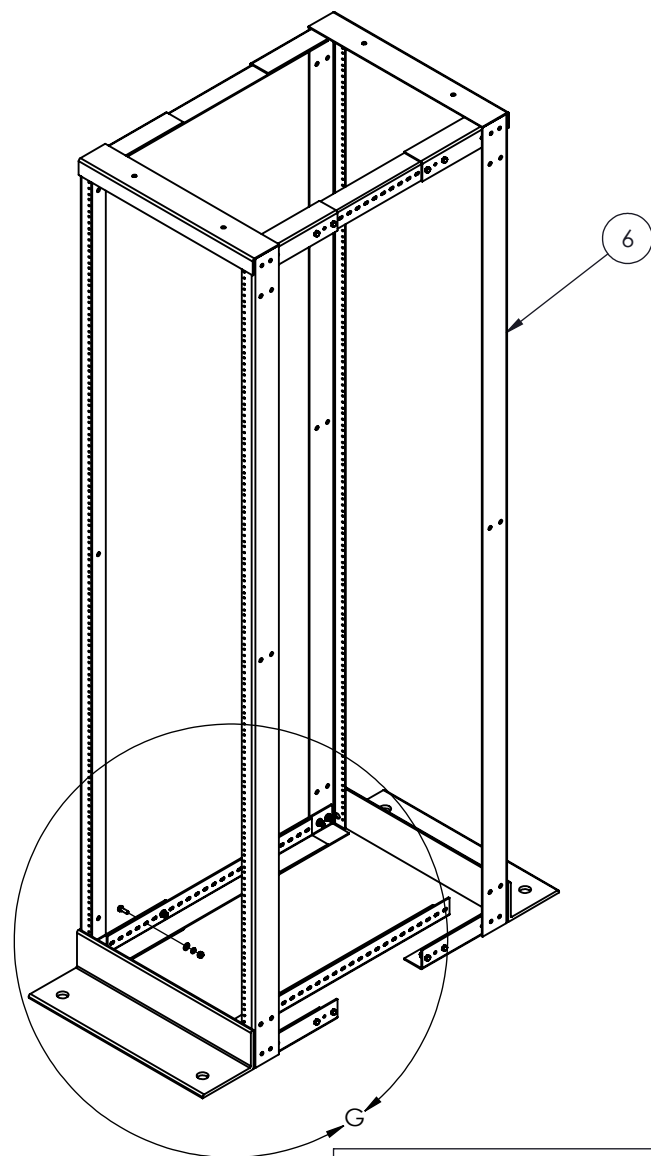

 PROPRIETARY AND CONFIDENTIAL THE INFORMATION CONTAINED IN THIS DRAWING IS THE SOLE PROPERTY OF A.I.G. ELECTRON METAL INC. ANY REPRODUCTION IN PART OR AS A WHOLE WITHOUT THE WRITTEN PERMISSION OF A.I.G. ELECTRON METAL INC IS PROHIBITED.	CONFIDENTIEL L'INFORMATION CONTENUE DANS CE DESSIN EST L'ENTIÈRE PROPRIÉTÉ D'ELECTRON METAL A.I.G. INC. TOUTE REPRODUCTION PARTIELLE OU EXHAUSTIVE SANS PERMISSION ÉCRITE D'ELECTRON METAL A.I.G. INC. EST INTERDITE.	DRAWN BY: TOM	Title: DOUBLE RACK (19 x 77) x 30" - 42"				
		CHECKED BY: TOM					
PROJECT: Racks\DoubleRck		FILE: DbIRck19x77_30_42_1305030202_ENG					
PART NO.: RKDKIT-194432		DRAWING NO.: 1305030202		REV.: -	SCALE: 1:21.3333	DATE: 2011-09-20	SHEET: 1 / 2

NO.	NOTE	DESCRIPTION	QTY
1	1305021665 - 30 - 42	CENTER ANGLE	4
2	1/4"	FLAT WASHER	32
3	1/4-20	HEX NUT	32
4	1/4"	LOCK WASHER	32
5	1/4-20 x 3/4	HEX BOLT	16
6	1305021669	FRAME (19 x 77)	2
7	1305021664	END ANGLE	8



DETAIL G
1:8

 PROPRIETARY AND CONFIDENTIAL THE INFORMATION CONTAINED IN THIS DRAWING IS THE SOLE PROPERTY OF A.I.G. ELECTRON METAL INC. ANY REPRODUCTION IN PART OR AS A WHOLE WITHOUT THE WRITTEN PERMISSION OF A.I.G. ELECTRON METAL INC IS PROHIBITED.	CONFIDENTIEL L'INFORMATION CONTENUE DANS CE DESSIN EST L'ENTIÈRE PROPRIÉTÉ D'ELECTRON METAL A.I.G. INC. TOUTE REPRODUCTION PARTIELLE OU EXHAUSTIVE SANS PERMISSION ÉCRITE D'ELECTRON METAL A.I.G. INC. EST INTERDITE.	DRAWN BY: TOM	Title: DOUBLE RACK (19 x 77) x 30" - 42"				
		CHECKED BY: TOM	PROJECT: Racks\DoubleRck		FILE: DbIRck19x77_30_42_1305030202_ENG		
		PART NO.: RKDKIT-194432	DRAWING NO.: 1305030202	REV.: -	SCALE: 1:16	DATE: 2011-09-20	SHEET: 2 / 2