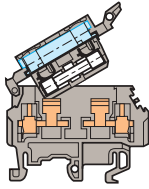


M 4/8.SF...

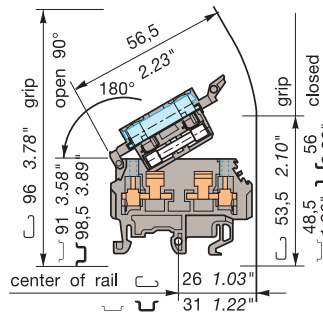
Spacing 8 mm (.315")



M 4/8.SF with blown fuse indicator. Grey body.

M 4/8.SF...T...

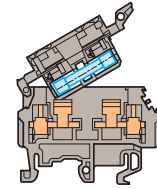
Spacing 8 mm (.315")



M 4/8.SF with blown fuse indicator equipped with 2 test sockets DIA. 2 mm/.079". Grey body.

M 4/8.SN...

Spacing 8 mm (.315")



M 4/8.SF with disconnect link bar locked on grey grip.

Color	Type	Part numbers	Color	Type	Part numbers	Color	Type	Part numbers
Neon lamp(3)	M 4/8.SFL	0115 661.21	Neon lamp(3)	M 4/8.SFLT	0115 667.27	Grey	M 4/8.SN1	0115 660.04
Diode LED 24 V* (4)	M 4/8.SFD	0115 663.23	Diode LED 24 V* (4)	M 4/8.SFDT	0115 665.25	Orange	M 4/8.SN2	0105 136.12
Diode LED 48 V* (4)	M 4/8.SFD1	0115 664.24	Diode LED 48 V* (4)	M 4/8.SFDT1	0115 666.26	Beige V0	M 4/8.SN1.V0	0195 660.05
Diode LED 48 V (4)(5)	M 4/8.SFD2	0115 653.21						

Characteristics				Characteristics				Characteristics						
Wire size				Wire size				Wire size						
	IEC	UL	CSA		IEC	UL	CSA		IEC	UL	CSA			
	NFC DIN				NFC DIN				NFC DIN					
Compression clamp	Solid wire	0,5-4 mm ²	22-12 AWG	24-12 AWG	Compression clamp	Solid wire	0,5-4 mm ²	22-12 AWG	24-12 AWG	Compression clamp	Solid wire	0,5-4 mm ²	22-12 AWG	24-12 AWG
	Stranded wire	0,5-4 mm ²	22-12 AWG	24-12 AWG		Stranded wire	0,5-4 mm ²	22-12 AWG	24-12 AWG		Stranded wire	0,5-4 mm ²	22-12 AWG	24-12 AWG

Voltage				Voltage				Voltage			
Rated	400 V (1)	600 V (1)	250 V	Rated	400 V (1)	600 V (1)	250 V	Rated	630 V	600 V	250 V
Pulse	4 kV			Pulse	4 kV			Pulse	8 kV		
Pollution degree	3			Pollution degree	3			Pollution degree	3		

Current				Current				Current			
Rated	6,3 A	10 A	10 A	Rated	6,3 A	10 A	10 A	Rated	6,3 A	10 A	10 A

Wire size				Wire size				Wire size			
Rated / Gauge	4 mm ² / A4	12 AWG	12 AWG	Rated / Gauge	4 mm ² / A4	12 AWG	12 AWG	Rated / Gauge	4 mm ² / A4	12 AWG	12 AWG
Wire stripping length	Recomm. screwdriver	Recomm. torque	Protection	Wire stripping length	Recomm. screwdriver	Recomm. torque	Protection	Wire stripping length	Recomm. screwdriver	Recomm. torque	Protection
9,5 mm .374"	4 mm .157"	0,5-0,8 Nm 4.4-7 lb.in	IP 20 (2) NEMA 1	9,5 mm .374"	4 mm .157"	0,5-0,8 Nm 4.4-7 lb.in	IP 20 (2) NEMA 1	9,5 mm .374"	4 mm .157"	0,5-0,8 Nm 4.4-7 lb.in	IP 20 (2) NEMA 1

Type				Part numbers	Type				Part numbers	Type				Part numbers
FEM8S	V2	th. 1,5 mm		0116 951.15	FEM8S	V2	th. 1,5 mm		0116 951.15	FEM8S	V2	th. 1,5 mm		0116 951.15
FEM8S	V2	th. 1,5 mm		0103 923.15	FEM8S	V2	th. 1,5 mm		0103 923.15	FEM8S	V2	th. 1,5 mm		0103 923.15
FEM8S	V0	th. 1,5 mm		0196 951.16	FEM8S	V0	th. 1,5 mm		0196 951.16	FEM8S	V0	th. 1,5 mm		0196 951.16
FC2	DIA. 2 mm			0007 865.22	FC2	DIA. 2 mm			0007 865.22	FC2	DIA. 2 mm			0007 865.22
PC81	35 A	10 poles		0173 523.11	PC81	35 A	10 poles		0173 523.11	PC81	35 A	10 poles		0173 523.11
AD2,5	24 A			0114 205.20	AD2,5	24 A			0114 205.20	AD2,5	24 A			0114 205.20
TGA8		2 poles		0168 672.11	TGA8		2 poles		0168 672.11	TGA8		2 poles		0168 672.11
		3 poles		0168 773.12			3 poles		0168 773.12			3 poles		0168 773.12
		4 poles		0168 674.13			4 poles		0168 674.13			4 poles		0168 674.13
ANT				0168 675.14	ANT				0168 675.14	ANT				0168 675.14
FU520	5 x 20				FU520	5 x 20				FU520	5 x 20			
	0,5 A			0008 288.15		0,5 A			0008 288.15		0,5 A			0008 288.15
	1 A			0008 290.13		1 A			0008 290.13		1 A			0008 290.13
	2 A			0008 291.00		2 A			0008 291.00		2 A			0008 291.00
	3,15 A			0008 289.16		3,15 A			0008 289.16		3,15 A			0008 289.16
	4 A			0168 834.24		4 A			0168 834.24		4 A			0168 834.24
	5 A			0008 292.01		5 A			0008 292.01		5 A			0008 292.01
FU525	5 x 25				FU525	5 x 25				FU525	5 x 25			
	1,6 A			0167 546.22		1,6 A			0167 546.22		1,6 A			0167 546.22
	2 A			0167 547.23		2 A			0167 547.23		2 A			0167 547.23
	2,5 A			0167 548.04		2,5 A			0167 548.04		2,5 A			0167 548.04
	4 A			0167 549.05		4 A			0167 549.05		4 A			0167 549.05
	6,3 A			0167 550.02		6,3 A			0167 550.02		6,3 A			0167 550.02

⑥ RC610 on grip ⑦ RC810 on side ⑥ RC610 on grip ⑦ RC810 on side ⑥ RC610 on grip ⑦ RC810 on side

Note : (3) Blown fuse indicator : neon lamp 110-230 V. Leakage current with neon lamp : < 0,5 mA (110 V) / < 0,7 mA (230 V).
(4) Leakage current with LED 24 or 48 V : < 4,5 mA. (5) Block delivered with - on open side.