
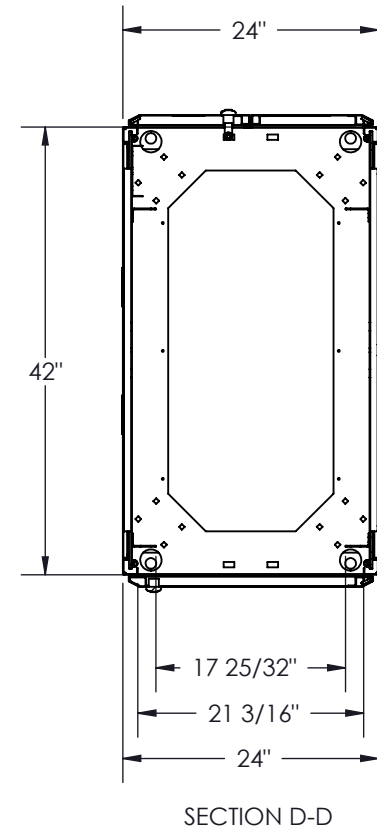
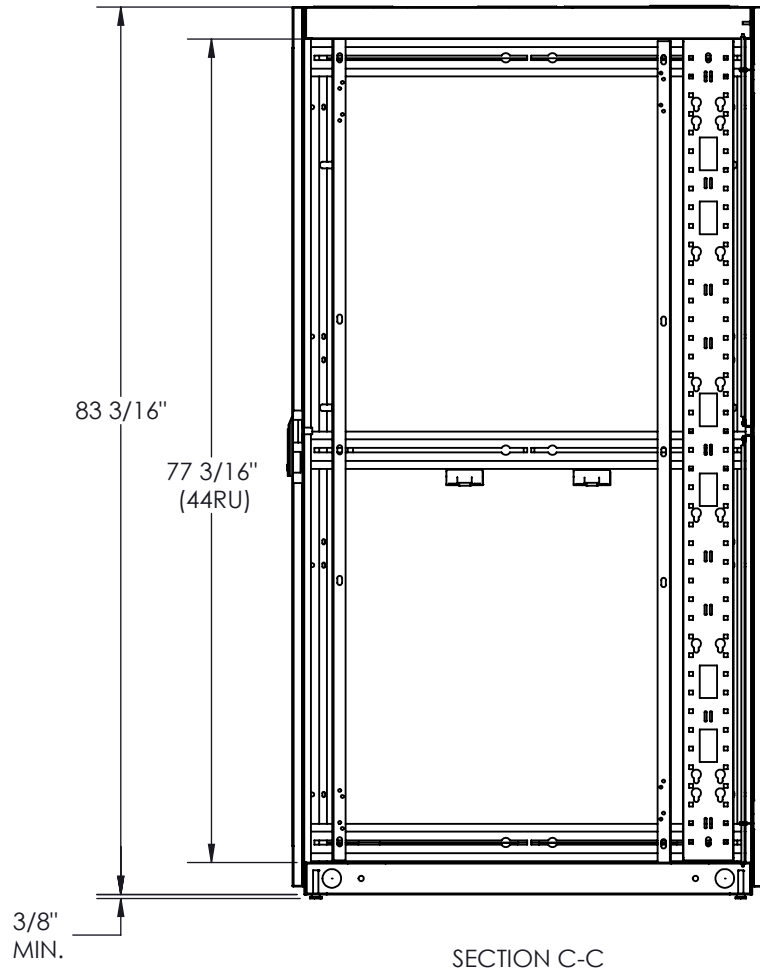
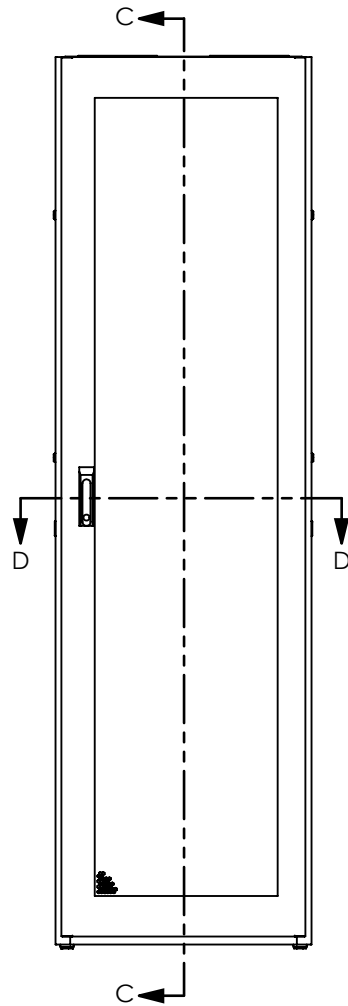



NO.	NOTE	DESCRIPTION	QTY
1	1305026165	FRAME 24 x 83 x 42 SERIES 4000	1
2	OHIO NUT & BOLT FH 4440	LEVELLER, STEEL BASE	4
3	1305027783	6" FAN CUTOUT COVER PLATE	6
4	1305022418 - (77")	MOUNTING RAIL 2.25" CAGE-NUTS	4
5	1305026743 - (77")	UNIVERSAL ACCESSORY CHANNEL 1" X 4.75"	1
6	1305024382	DOOR HEX. PERFORATIONS (21 x 77)	1
7	1305025160	SPLIT DOOR HEX. PERF. RH (21 x 77)	1
8	1305025161	SPLIT DOOR HEX. PERF. L.H. (21 x 77)	1
9	1305026167	SIDE PANEL (77) x 42 LOCKS	2
10	NOT SHOWN	CAGE-NUT 10-32	100
11	1305029138 - (21)	TOP COVER 2 FAN CUT-OUTS	1

NOTES:

1 - MOUNTING RAILS TO HAVE RU MARKINGS.

 <p>PROPRIETARY AND CONFIDENTIAL THE INFORMATION CONTAINED IN THIS DRAWING IS THE SOLE PROPERTY OF A.I.G. ELECTRON METAL INC. ANY REPRODUCTION IN PART OR AS A WHOLE WITHOUT THE WRITTEN PERMISSION OF A.I.G. ELECTRON METAL INC IS PROHIBITED.</p>	<p>CONFIDENTIEL L'INFORMATION CONTENUE DANS CE DESSIN EST L'ENTIÈRE PROPRIÉTÉ D'ELECTRON METAL A.I.G. INC. TOUTE REPRODUCTION PARTIELLE OU EXHAUSTIVE SANS PERMISSION ÉCRITE D'ELECTRON METAL A.I.G. INC. EST INTERDITE.</p>	DRAWN BY:	Title: SERIES 4000 SERVER CFG (21 x 77) x 42				
		CHECKED BY:					
		PROJECT: Cabinets\Series4000	FILE: Kit21x77x42_1305026166_Eng				
		PART NO.: CB4KSV-214442	DRAWING NO.: 1305026166	REV.: C	SCALE: 1:22	DATE: 2008-12-04	SHEET: 1 / 2



 <p>PROPRIETARY AND CONFIDENTIAL THE INFORMATION CONTAINED IN THIS DRAWING IS THE SOLE PROPERTY OF A.I.G. ELECTRON METAL INC. ANY REPRODUCTION IN PART OR AS A WHOLE WITHOUT THE WRITTEN PERMISSION OF A.I.G. ELECTRON METAL INC IS PROHIBITED.</p>	<p>CONFIDENTIEL L'INFORMATION CONTENUE DANS CE DESSIN EST L'ENTIERE PROPRIÉTÉ D'ELECTRON METAL A.I.G. INC. TOUTE REPRODUCTION PARTIELLE OU EXHAUSTIVE SANS PERMISSION ÉCRITE D'ELECTRON METAL A.I.G. INC. EST INTERDITE.</p>	DRAWN BY:		Title:			
		CHECKED BY:		SERIES 4000 SERVER CFG (21 x 77) x 42			
PROJECT:		Cabinets\Series4000		FILE:		Kit21x77x42_1305026166_Eng	
PART NO.:		CB4KSV-214442		DRAWING NO.:		1305026166	
		REV.:		SCALE:		DATE:	
		C		1:18		2008-12-04	
				SHEET:		2 / 2	