

Shallow profile aesthetically pleasing and simple to use.

CSW
CUBELITE
T5/T5HO/T8
LINEAR SURFACE
LUMINAIRE



PHILIPS DAY-BRITE / PHILIPS CFI, 4' LENGTH, 4" WIDE,
4 3/4" DEEP SURFACE LUMINAIRE, 2 LAMP FLUORESCENT
T5/T5HO/T8, CS SERIES

Smooth opal or prismatic acrylic lens options offer diffused light.
Ideal for corridor, stairwell, or vanity applications.

Project: _____
 Location: _____
 Catalog No: _____
 Fixture Type: **Linear Surface Luminaire**
 Mfg: **Philips Day-Brite** Lamps: **T5/T8** Qty: _____
 Notes: _____

Ordering guide

example: CSW248-UNVHIVB

Series	Lamp Qty	Length / Wattage	Voltage ¹	Ballast	Lens	Options
CSW	<input type="checkbox"/>	<input type="checkbox"/> -	<input type="checkbox"/>	<input type="checkbox"/>	<input type="checkbox"/>	<input type="checkbox"/>
CSW Cubelite Surface Luminaire	1 1 lamp	14 24" / 14W T5 ⁴	UNV Universal 120/277 V	HI T8 Electronic PG T5 Program Start	ZO Opal acrylic VB Prismatic DB Prismatic 50% DR	B Black Painted housing 9 Tamper Resistant ² K Pull Chain Right ³ L Pull Chain Left ³ CO Convenience outlet (120V)
	2 2 lamp	24 24" / 24W T5HO ⁴ 28 48" / 28W T5 54 48" / 54W T5HO				
		24 24" / 17W T8 ⁴ 36 36" / 25W T8 48 48" / 32W T8				Y T8 emerg. 1100-1400lm ^{1,4} W T8 emerg. 1100-1400lm, 347V ⁴ O T8 emerg. 350-450lm ^{1,4} N T8 emerg. 350-450lm, 347V ⁴ E T5 emerg. 750-1325lm ^{1,4} M T5 emerg. 430-700lm ^{1,4}

- Specify voltage with battery options.
- Order TR15 Torx-head screws with **DB** lens.
- Pull Chain options (**K** and **L**) are available in 120V only.
- Integral emergency not available on 24" units.

Features

- Only 4 3/4" deep.
- Suitable for mounting on low density surfaces.
- Individual or continuous row mounting.
- Ideal for corridors, washrooms, storage areas, and stairwells.
- Can be wall or ceiling mounted.
- Can be used in conjunction with occupancy sensors.
- Convenience outlet optional (CO).
- Spring-loaded end cap.
- Right (**K**) or left (**L**) pull chain options are available for 120V configurations only.
- White painted housing standard.
Black painted (**B**) housing optional

Materials

Chassis parts are die-formed code gauge cold rolled steel.

Finish

Phosphate undercoating, baked white acrylic enamel.

Lens

Three available lenses with extruded virgin acrylic diffuser:

- Smooth opal acrylic diffuser (**ZO**) with 0.060" thickness and 50% DR content.
- Clear prismatic lens (**VB**) with 0.125" thickness .
- Prismatic lens (**DB**) with 50% DR.

Replacement Lenses:

LN11670 (2' ZO), LN16782 (2' VB), LN11669 (3' ZO), LN16783 (3' VB), LN11665 (4' ZO), LN16784 (4' VB), LN26212 (2' DB), LN26213 (3' DB), LN26214 (4' DB)

Electrical

Electronic HPF ballast, thermally protected class "P" ballast CBM certified by ETL. If K.O. is within 3" of ballast, use wire suitable for at least 90°C.

Options and Accessories

Continuous Row Mounting:
Order luminaire coupler
CSWCPL (White) or CSBCPL (Black)

Labels

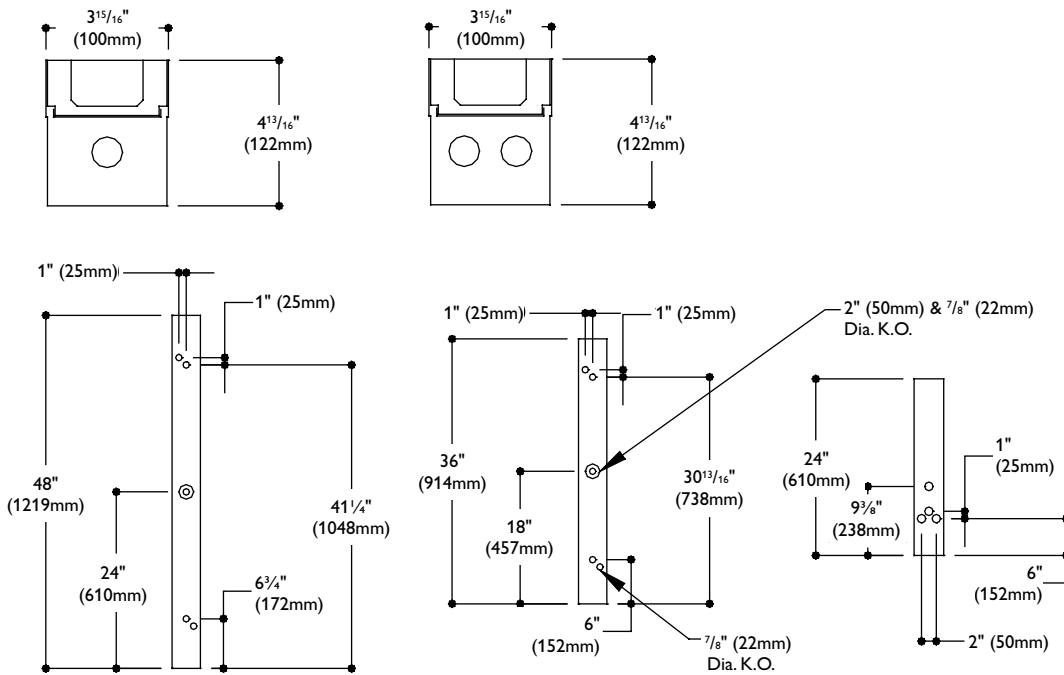
cCSAus listed for damp locations.
This product may have a mercury containing lamp.
Manage in accord with Disposal Laws.
See: www.lamprecycle.org



PHILIPS **PHILIPS**
Day-Brite **CFI**

CSW CUBELITE T5/T5HO/T8 LINEAR SURFACE LUMINAIRE

Dimensions



Mounting Methods



Spring-loaded end cap.

CSW CUBELITE T5/T5HO/T8 LINEAR SURFACE LUMINAIRE

Performance

Catalog No: CSW248-UNVHIVB

Report Number¹: LSC9660

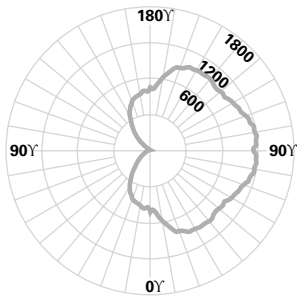
Lamp Type: 2 32WT8

Lumens per Lamp: 2950

Lumen Input Watts: 55.6

Candela at Nadir: 617cd

Total Efficiency: 89.4%



1. Tested using absolute photometry as specified in LM79: IESNA Approved Method for the Electrical and Photometric Measurements of Solid-State Lighting Products.

2. Total efficiency.

Candela Distribution

Angle	Along	22.5	45.0	67.5	Across
0	617	617	617	617	617
5	650	649	638	643	631
15	641	690	767	793	810
25	600	718	829	860	896
35	540	695	803	885	904
45	423	573	718	860	890
55	267	407	606	823	896
65	176	280	552	867	966
75	118	241	557	911	1020
85	69	213	543	946	1047
90	58	190	514	932	1013
95	69	213	543	946	1047
105	118	241	557	911	1020
115	176	280	552	867	966
125	267	407	606	823	896
135	423	573	718	860	890
145	540	695	803	885	904
155	600	718	829	860	896
165	641	690	767	793	810
175	650	649	638	643	631
180	617	617	617	617	617

Coefficients of Utilization

Ceiling	80%				50%				30%			
Wall	70	50	30	10	70	50	30	10	50	30	10	
RCR	Zonal Cavity Method											
Room Cavity Ratio	1	85	81	77	73	78	74	71	67	62	60	57
	2	77	70	63	58	71	64	58	54	54	49	46
	3	70	61	54	48	64	56	50	45	47	42	38
	4	64	54	46	40	59	50	43	38	42	36	32
	5	58	47	40	34	53	44	37	32	37	31	27
	6	54	42	35	29	49	39	32	27	33	28	24
	7	49	38	30	25	45	35	28	24	30	24	20
	8	46	34	27	22	42	31	25	20	27	21	18
	9	42	31	24	19	39	28	22	18	24	19	15
	10	39	28	21	17	36	26	20	16	22	17	13

Effective Floor Cavity Reflectance = 0.20

Zonal Lumen Summary²

Zone	Lumens	% Lamp	% Luminaire
0-30	550	9.33	10.44
0-40	923	15.66	17.52
0-60	1650	27.97	31.29
0-90	2636	44.69	50.00
40-90	1712	29.03	32.48
60-90	986	16.72	18.71
90-180	2636	44.69	50.00
0-180	5273	89.38	100.00



© 2014 Koninklijke Philips N.V. All rights reserved.
Specifications are subject to change without notice.
www.philips.com/luminaires

Philips Lighting
North America Corporation
200 Franklin Square Drive
Somerset, NJ 08873
Phone: 855-486-2216

Philips Lighting Company
281 Hillmount Road
Markham ON, Canada L6C 2S3
Phone: 800-668-9008