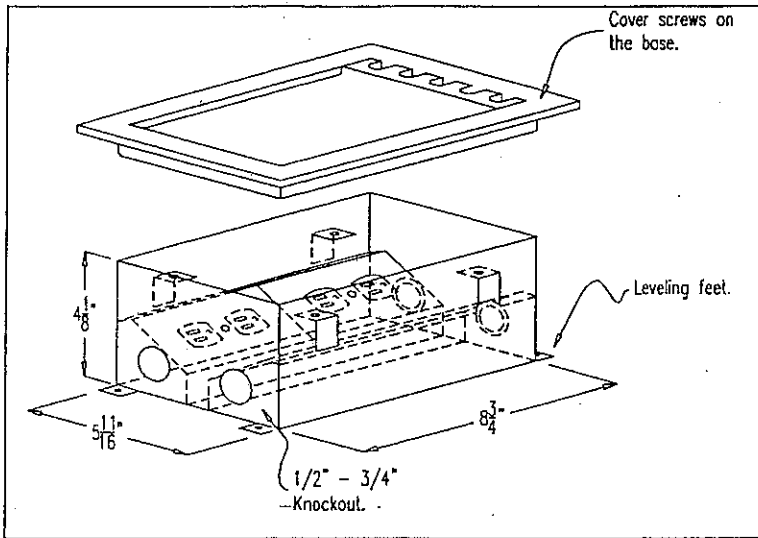


CF9C Series

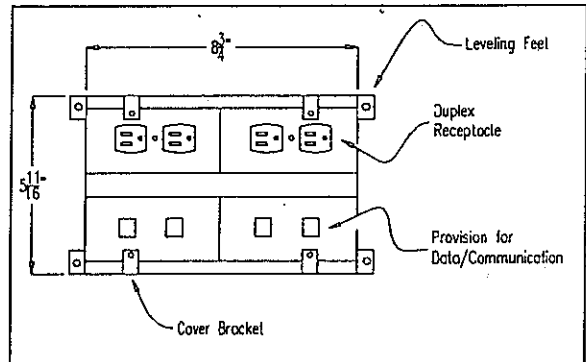
Concrete Floor Boxes

The CF9C Series box is a dual service floor box for use with conduit in a poured concrete floor. The box is constructed of 16 ga. galvanized steel and comes complete with 1/4" cast aluminum cover assembly. Boxes are shipped with disposable sheet metal cover to protect box during concrete pour. Box supplied with two 1/2-3/4" combination conduit knockouts each end for conduit feed and complete with four adjustable legs for prepour adjustment. Standard boxes supplied with power plates and data/communication plates punched to accept specified devices (see below). The cast aluminum cover can be supplied unpainted or polyester powder coated - textured black is standard, but a wide range of other colours are available.

Concrete Floor Box



Concrete Floor Box Top View



Power Device Plate Specifications

Note: Receptacles are not normally supplied with boxes, contact factory for pricing with details of any receptacles that are required to be supplied with boxes.

- 1 = 1 std duplex cut out
- 2 = 2 std duplex cut outs
- 3 = 1 "Decora" cut out
- 4 = 2 "Decora" cut outs

- A = 1 "Decora" cut out
- B = 2 "Decora" cut outs
- C = 1 "RJ45" cut out
- D = 2 "RJ45" cut outs
- E = 3 "RJ45" cut outs
- F = 4 "RJ45" cut outs

Note: Decora cut outs measure 1.3125" x 2.66"
RJ45 cut outs measure .765" x .585"

Note: Decora cut outs measure 1.3125" x 2.66"

STANDARD ORDERING SPECIFICATIONS

1. Specify box type CF9C.
2. Specify power device plate e.g. CF9C2 = 2 std duplex cut outs.
3. Specify Tel/Data device plate e.g. CF9C2C = 2 standard duplex and 1 RJ45 cut out on Tel/data side, see details below.

CF9C ∨ box type	2 ∨ 2 duplex rec. device plates	C ∨ 1 RJ45 cut out device plates
-----------------------	---------------------------------------	--