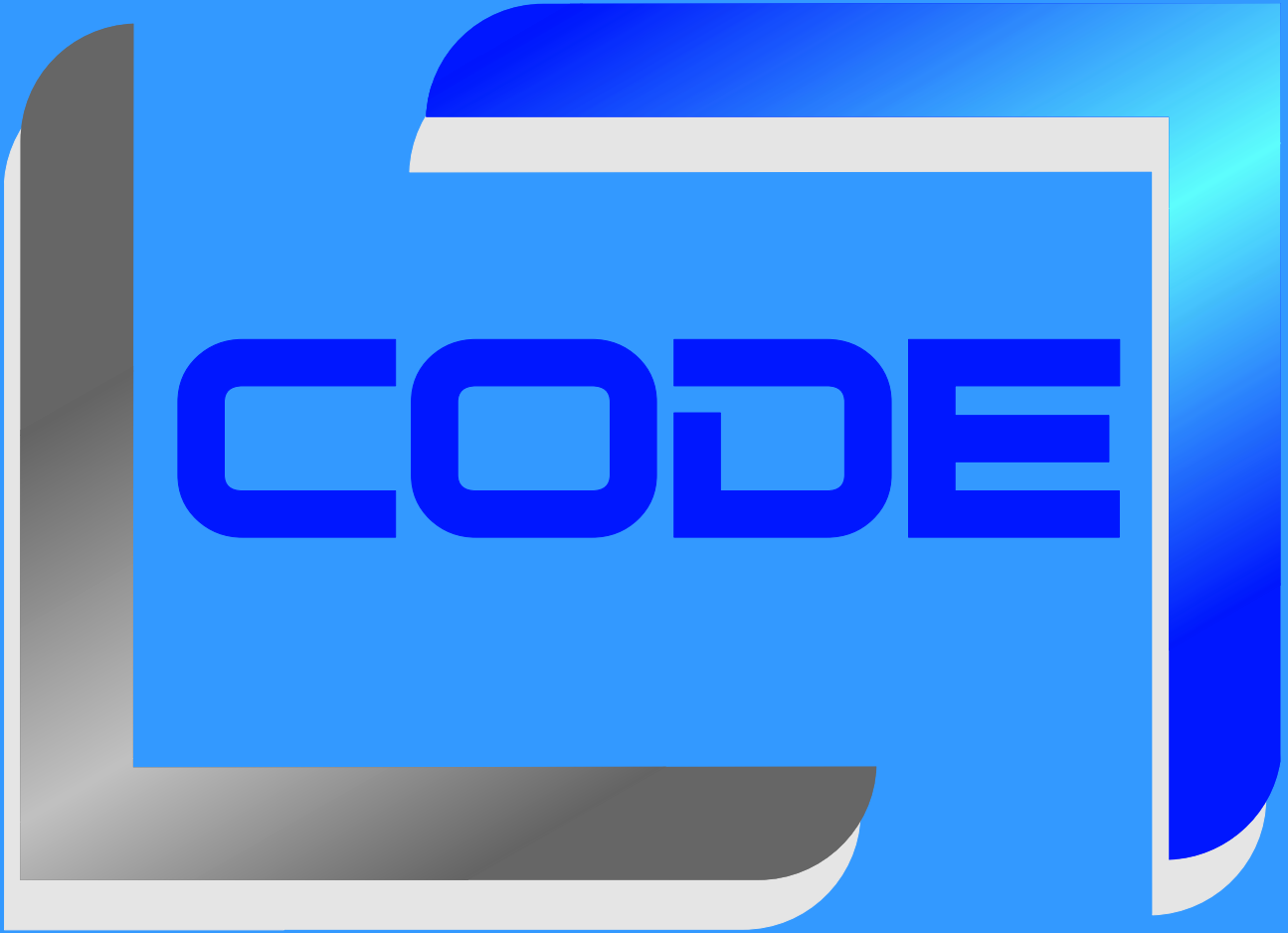




#100 – 2050 HARTLEY AVENUE, COQUITLAM, B.C. V3K 6W5
PHONE: 604-540-0011 FAX: 604-540-0033
TOLL FREE: 1-888-222-CODE (2633) E-MAIL sales@codeelectric.com



ELECTRIC PRODUCTS LTD



**Welcome to Code Electric Products Limited -
Your source for precision sheet metal fabrication**

Founded in 1979, Code Electric has grown in size and capabilities over the past years. British Columbia owned and operated, the company has manufactured C.S.A. certified, quality enclosures. Our 30,000 sq. ft. warehouse and manufacturing facility is fully equipped to deliver a wide range of stock and custom enclosures in a timely manner.

- **Manufacturers of C.S.A. rated enclosures 1, 3, 3R, 4, 4x**
- **Full line of :**
 - ◆ **Indoor and weatherproof enclosures**
 - ◆ **Splitter Troughs**
 - ◆ **Wire ways**
 - ◆ **Current Transformer Enclosures**
 - ◆ **Telephone and Cablevision Distribution Enclosures**
 - ◆ **Solid Switch Boxes and Covers in Aluminum and Steel**
 - ◆ **Commercial and Industrial Enclosures**
- **Custom enclosures-designed and built to meet customers' specification**



604-540-0011

Fax: 604-540-0033 Toll Free: 1-888-222-CODE

sales@codeelectric.com



INDEX

CUSTOM CODE ENCLOSURES CSA 1, 3, 4 AND 4X page 4-6

CSA 1 page 7-16

CSA 3 page 17-20

SPLITTER BOXES page 21-26

TELEPHONE/CABLEVISION DISTRIBUTION BOXES page 27-29

GROUNDING BUSBAR page 30-32

NEMA 4X-12 FIBERGLASS page 33

GANG BOXES AND COVERS page 34-36

ACCESSORIES page 37-40

TECHNICAL DATA page 41-43



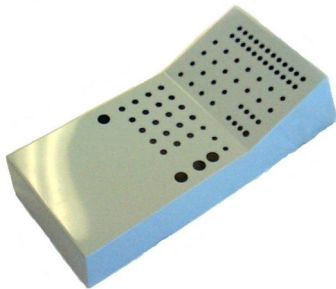
CUSTOM ENCLOSURES C.S.A. 1, 3, 4 AND 4X

We have successfully custom-designed, built and marketed an impressive range of electrical enclosures for indoor and outdoor applications, in a variety of challenging environments. Code Electric is able to produce custom products from galvanized steel, aluminum, cold-rolled or brushed finish stainless steel, which can be powder

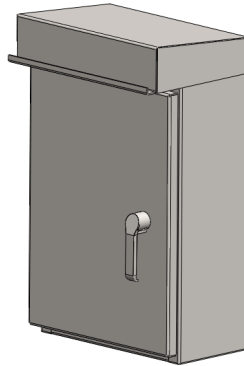
coated in our standard colors (black, beige, grey) and custom colors. We offer a number of accessories like Fans, Padlocks, Latches, Key lock handles, Hinges, Door holders, and more.

Code takes pride in offering superior quality and timely delivery.

Custom Enclosure



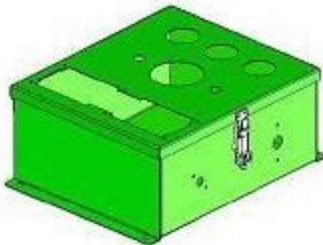
Custom Enclosure



Electrical Enclosure



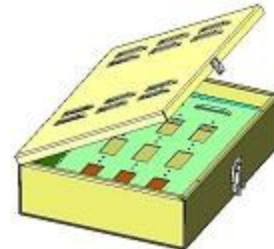
Custom Enclosure



Stainless Steel-Cart



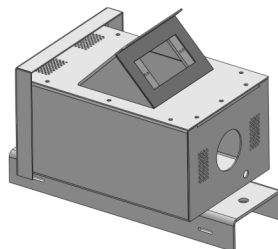
Dimmer Panel



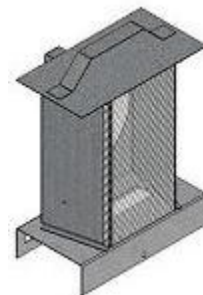
Control Housing



Hydro Enclosure

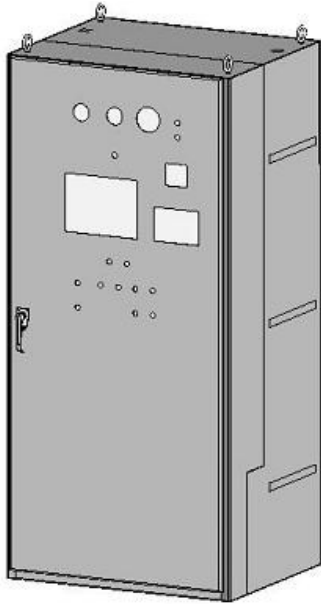


Fan Box



CUSTOM ENCLOSURES C.S.A. 1, 3, 4 AND 4X

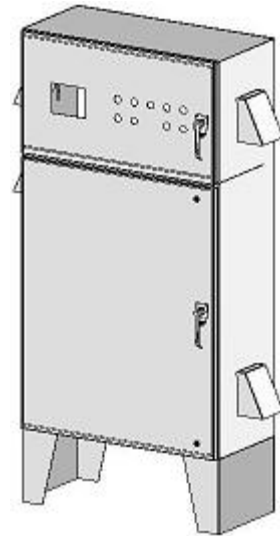
C.S.A. Enclosure – 1



C.S.A. Enclosure – 3



C.S.A. Enclosure – 3R



Operator Console



**Electrical Enclosure
CSA 3R**

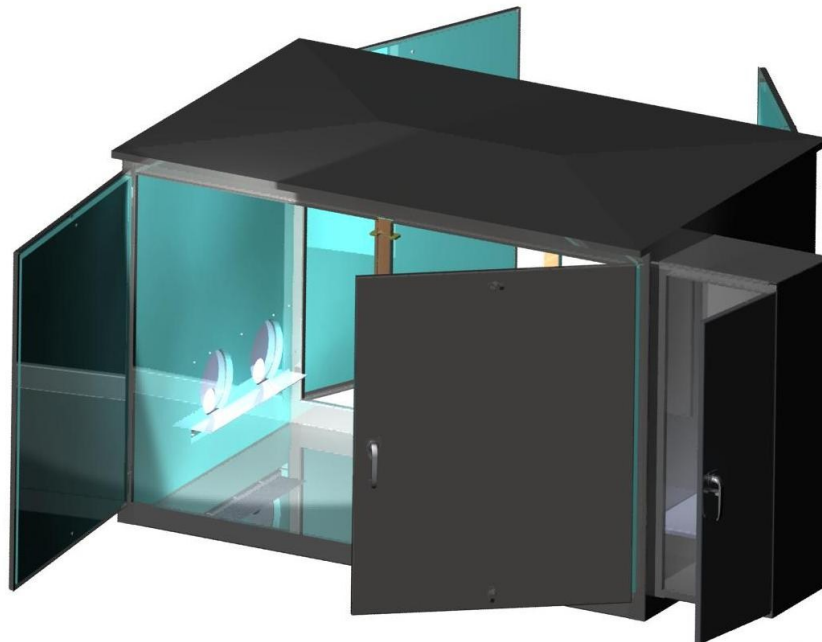
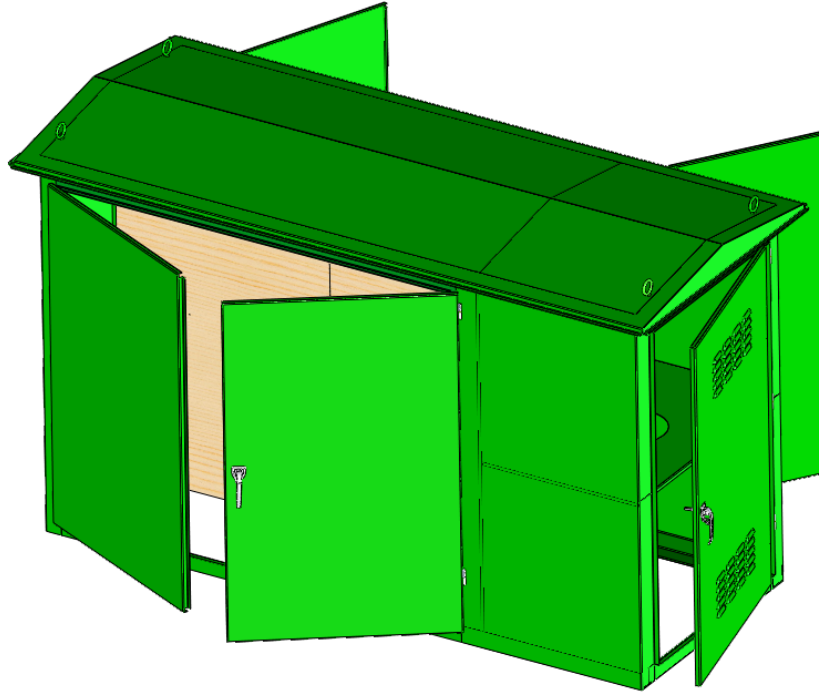


Steering Console



CUSTOM ENCLOSURES C.S.A. 1, 3, 4 AND 4X

Electrical Enclosures

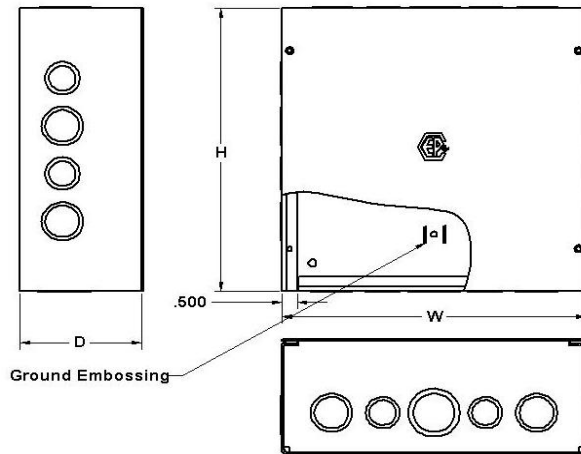
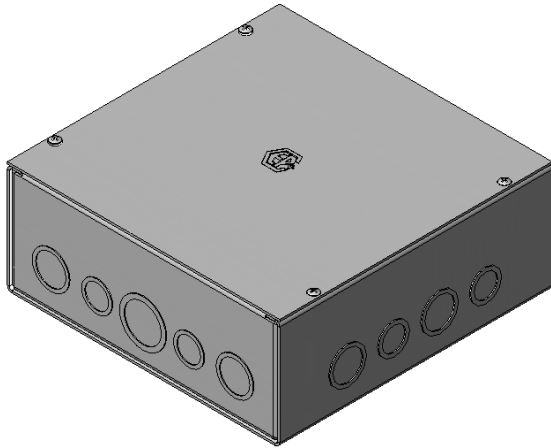


CSA 1 PULL BOXES STEEL SCREW COVER

The D-STL series boxes are used as junction or pull boxes. They are suitable for indoor application, and surface mounting. They are manufactured from 16 Ga or 14 Ga steel. There are concentric knock-outs on 6x6x3 to 12x12x6. They come complete with screw cover, four internal mounting holes and a grounding provision .

Boxes marked with * are finished with heat fused polyester powder, electrostatically applied on a phosphatized base, ASA-61 Grey. Enclosures not marked are pregalvanized steel. Options include: flush covers, back panel plates and custom paint colors.

C.S.A. Certified / UL Listed



CAT No:	H	W	D	LBS
*D-S-060603	6	6	3	2.0
*D-S-060604	6	6	4	2.5
*D-S-080804	8	8	4	4.0
*D-S-080806	8	8	6	32.0
*D-S-101004	10	10	4	4.0
*D-S-101006	10	10	6	15.0
*D-S-121204	12	12	4	5.0
*D-S-121206	12	12	6	22.0
*D-S-161606	16	16	6	14.0
*D-S-161608	16	16	8	14.0
D-G-181006	18	10	6	15.0
*D-S-181804	18	18	4	7.0
*D-S-181806	18	18	6	15.0
D-G-240604	24	6	4	13.0
D-G-240805	24	8	5	15.0
D-G-241006	24	10	6	19.0

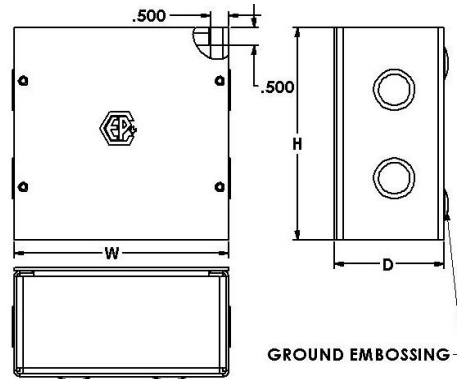
CAT No:	H	W	D	LBS
*D-S-24246	24	24	6	28.0
*D-S-242408	24	24	8	33.0
*D-S-242410	24	24	10	37.0
D-G-302010	30	20	10	48.0
D-G-303010	30	30	10	65.0
D-G-360604	36	6	4	11.0
D-G-360805	36	8	5	22.0
D-G-361006	36	10	6	28.0
D-G-362412	36	24	12	69.0
D-G-480604	48	6	4	17.0
D-G-480805	48	8	5	29.0
D-G-481006	48	10	6	36.0
D-G-720604	72	6	4	27.0
D-G-720805	72	8	5	42.0
D-G-721006	72	10	6	53.0

CSA 1 PULL BOXES ALUMINUM SCREW COVER

The D-AL series boxes are used as junction or pull boxes. Manufactured from 12 Ga or 10 Ga aluminum, they are suitable for indoor application, and surface mounting.

The enclosures are complete with screw cover. Four internal mounting holes and grounding provisions are included. Options include: flush covers and back panels .

C.S.A. Certified / UL Listed



CAT. No:	H	W	D	LBS.
D-A-060603	6	6	3	2.0
D-A-060604	6	6	4	2.5
D-A-060606	6	6	6	2.0
D-A-080804	8	8	4	2.5
D-A-080806	8	8	6	3.0
D-A-101004	10	10	4	3.0
D-A-101006	10	10	6	4.0
D-A-120606	12	6	6	3.0
D-A-120904	12	9	4	4.0
D-A-121204	12	12	4	4.0
D-A-121206	12	12	6	5.0
D-A-180904	18	9	4	5.0
D-A-181006	18	10	6	7.5
D-A-181806	18	18	6	11.0
D-A-240604	24	6	4	5.0
D-A-240805	24	8	5	6.0
D-A-241006	24	10	6	8.0
D-A-241507	24	15	7	14.0
D-A-241809	24	18	9.5	17.0
D-A-302010	30	20	10	23.0
D-A-303010	30	30	10	30.0

CAT. No:	H	W	D	LBS.
D-A-360604	36	6	4	8.0
D-A-360805	36	8	5	10.0
D-A-360904	36	9	4	11.0
D-A-361006	36	10	6	13.5
D-A-361507	36	15	7	19.0
D-A-361809	36	18	9.5	24.0
D-A-363014	36	30	14	42.0
D-A-402412	40	24	12	36.0
D-A-480604	48	6	4	10.5
D-A-480805	48	8	5	14.0
D-A-480904	48	9	4	14.0
D-A-481006	48	10	6	17.0
D-A-481507	48	15	7	24.5
D-A-481809	48	18	9.5	31.0
D-A-720604	72	6	4	15.5
D-A-720805	72	8	5	20.5
D-A-720904	72	9	4	21.0
D-A-721006	72	10	6	26.0
D-A-721507	72	15	7	35.0
D-A-721809	72	18	9.5	44.0

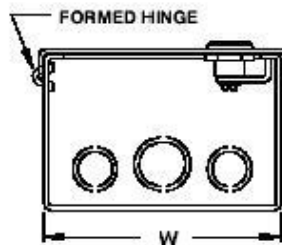
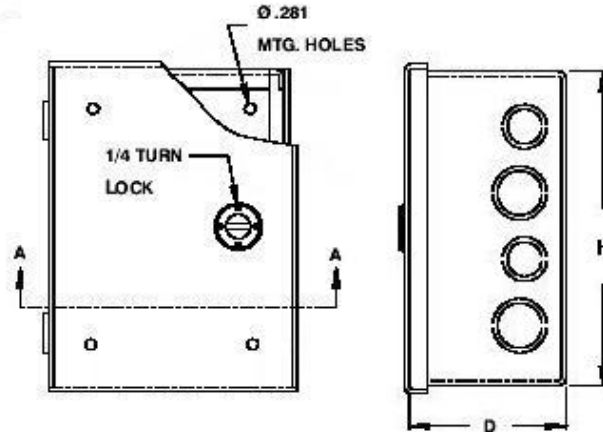
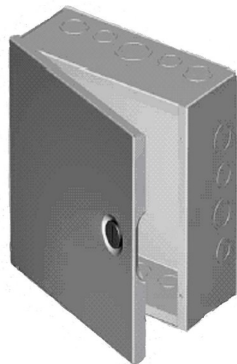
CSA 1 PULL BOXES STEEL HINGED COVER

The E-STL series are used as surface mounting junction boxes, switch boxes or general service boxes. Boxes and covers are made from 14 Ga or 16 Ga steel. Four internal mounting holes are included. Boxes are completed with hinged cover. The enclosures are powder coated ASA 61

Grey inside and out. These boxes feature formed steel hinges, a 1/4 turn screw driver latch.

Options include: flush cover, back panel, all four sides concentric knockouts, and a keylock.

C.S.A. Certified / UL Listed



SECTION A-A

<u>CAT No:</u>	<u>H</u>	<u>W</u>	<u>D</u>	<u>Lbs.</u>
E-S-060603	6	6	3	2.0
E-S-060604	6	6	4	2.5
E-S-080804	8	8	4	4.0
E-S-080806	8	8	6	5.0
E-S-101004	10	10	4	5.5
E-S-101006	10	10	6	6.0
E-S-121204	12	12	4	7.0
E-S-121206	12	12	6	8.0

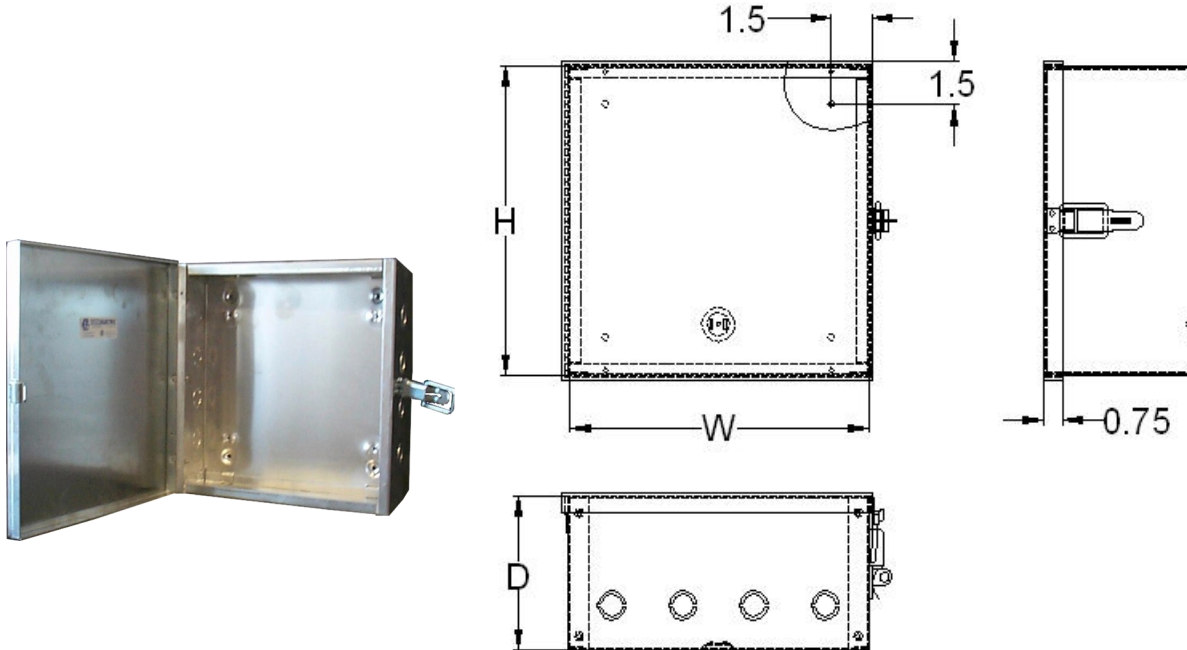
<u>CAT No:</u>	<u>H</u>	<u>W</u>	<u>D</u>	<u>Lbs.</u>
E-S-161606	16	16	6	14.0
E-S-161608	16	16	8	16.0
E-S-181804	18	18	4	17.0
E-S-181806	18	18	6	18.0
E-S-242406	24	24	6	34.0
E-S-242408	24	24	8	38.0
E-S-242410	24	24	10	41.0

CSA 1 PULL BOXES ALUMINUM HINGED COVER

The EH-AL series boxes are used as junction or pull boxes. Suitable for indoor application, and surface mounting, they are manufactured from 12 Ga or 10 Ga aluminum. The cover has a full length piano hinge which permits full 180° opening.

Enclosures are completed with padlockable hasps. They are provided with knockouts, four internal mounting holes and grounding provisions. Back panels are provided optional.

C.S.A. Certified / UL Listed



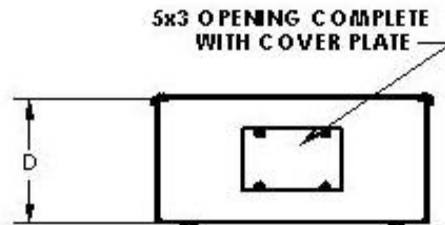
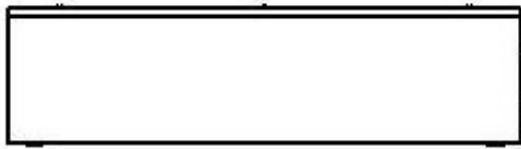
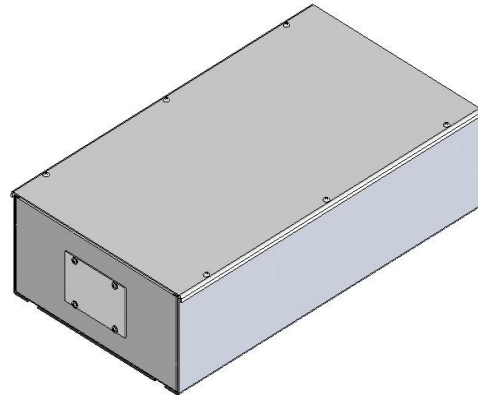
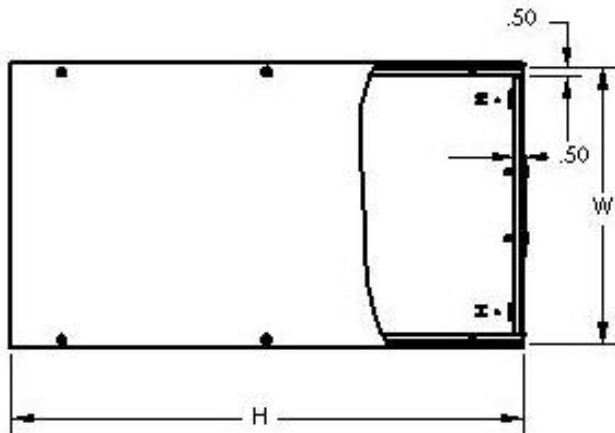
<u>Cat. No:</u>	<u>H</u>	<u>W</u>	<u>D</u>	<u>Lbs.</u>
E-A-060604	6	6	4	2.0
E-A-060606	6	6	6	2.0
E-A-080804	8	8	4	3.0
E-A-080806	8	8	6	3.0
E-A-101004	10	10	4	3.0
E-A-101006	10	10	6	4.0
E-A-120606	12	6	6	3.0
E-A-121204	12	12	4	4.0
E-A-121206	12	12	6	5.0

CSA 1 CHECK METER CABINETS

The CM-AL and CM-STL series are used as check meters or pull boxes. They are suitable for indoor application, and surface mounting. Manufactured from 12 – 10 Ga aluminum or 16 – 14 Ga pregalvanized steel.

The enclosures are complete with removable access panel and screw cover. Four internal mounting holes and grounding provisions are included.

C.S.A. Certified / UL Listed

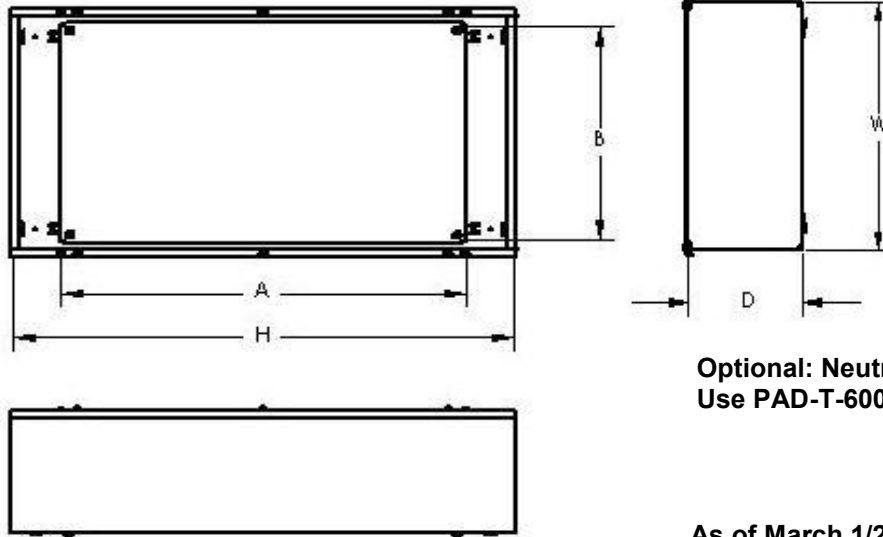


<u>Cat. No:</u>	<u>Amps</u>	<u>H</u>	<u>W</u>	<u>D</u>	<u>LBS. For STL</u>	<u>LBS. For AL</u>
CM-A/G-121206	100	12	12	6	8.0	5.0
CM-A/G-201408	200	20	14	8	19.0	8.0
CM-A/G-302008	400	30	20	8	43.0	17.0
CM-A/G-362410	600	36	24	10	64.0	31.0

CSA 1 CURRENT TRANSFORMER CABINETS

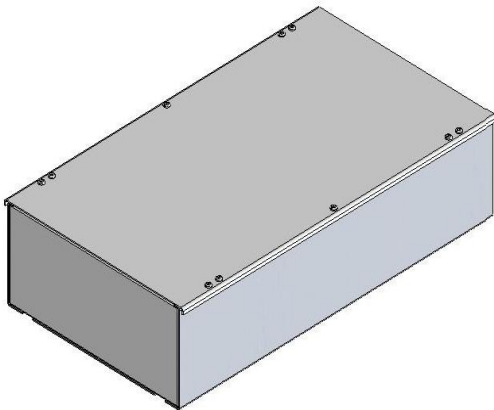
CT cabinets are used with instrument rated meters, to meter single-phase services greater than 400 amps (320 amps continuous), and three-phase services greater than 200 amps. Boxes are manufactured from 10 Ga aluminum, or

14-16 Ga pregalvanized steel. The enclosures are complete with screw cover, back panel, and sealing screws. Four internal mounting holes and grounding provisions are included.
C.S.A. Certified / UL Listed



**Optional: Neutral PAD
Use PAD-T-600**

As of March 1/2013



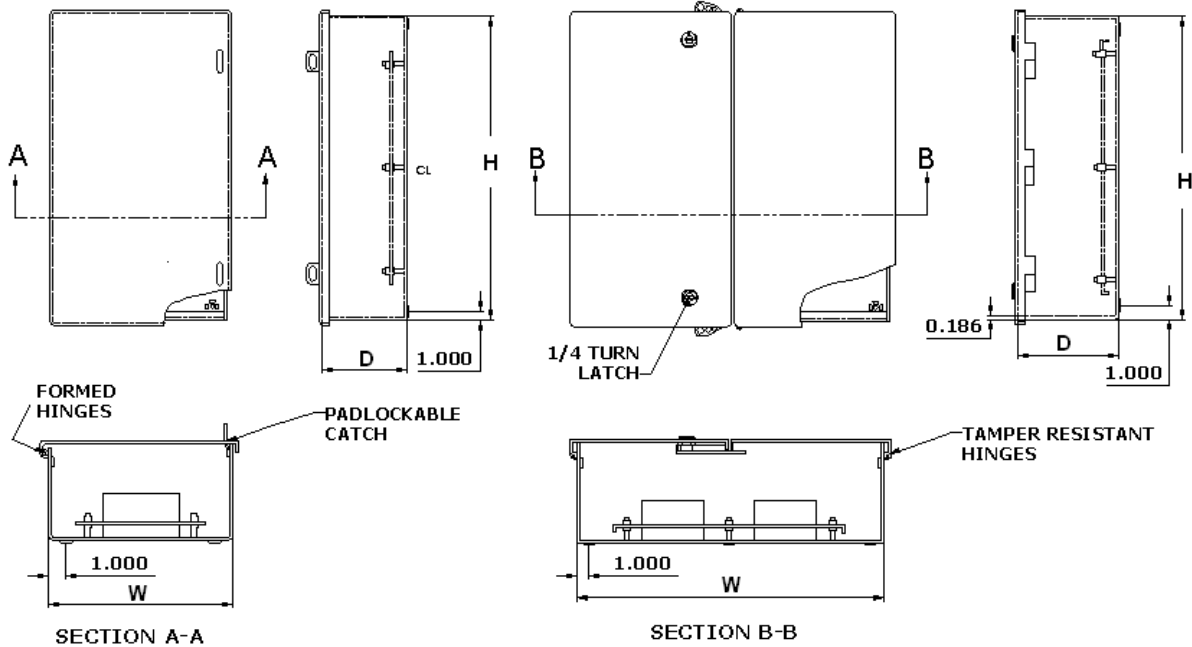
<u>Cat No:</u>	<u>Single Phase service</u>	<u>Three Phase service</u>
CT-A/G-301608	Up to 400 Amps	Up to 400 Amps & below 300 Volts
CT-A/G-421816	—	Up to 400 Amps & above 300 Volts
	425 Amps and above	425 to 800 Amps
CT-A/G-423624	—	1000 Amps and above

<u>Cat No:</u>	<u>H</u>	<u>W</u>	<u>D</u>	<u>A = Back Panel Length</u>	<u>B = Back Panel Width</u>	<u>LBS. For STL</u>	<u>LBS. For Al</u>
CT-A/G-301608	30	16.5	8	23	14.5	47	24
CT-A/G-302010	30	20	10	23	17	61	29
CT-A/G-303010	30	30	10	23	27	85	41
CT-A/G-421809	42	18	9.5	36	16.5	75	36
CT-A/G-421816	42	18	16	36	16.5	91	44
CT-A/G-423624	42	36	24	36	34.5	206	115

CSA 1 METER CABINETS

MC are designed to house metering transformers or for junction boxes. They are made from 16 Ga or 14 Ga steel. Doors are hinged and feature a padlockable provision. There is an opening on the top of the cabinet for meter connection.

Metering cabinets come complete with removable inner back plates mounted on studs. Mounting holes are provided in the back of the cabinet. Cabinets are powder coated ASA-61 Grey inside and out. C.S.A. Certified / UL Listed



	H	W	D	LBS.
SINGLE DOOR				
MC-S-271310	27	13	10	29
MC-S-242410	24	24	10	38
MC-S-302010	30	20	10	48
DOUBLE DOOR				
MC-S-303010	30	30	10	72
MC-S-363612	36	36	12	122
MC-S-484812	48	48	12	196

Voltage	Phase	Wire	Service Size	H	W	D	#CT's
120/240	1	3	200-400	24	24	10	1-(3 Wire CT)
120/240	1	3	401-800	30	30	10	1-(3 Wire CT)
120/208Y	3	4	200-600	30	30	10	3-(2 Wire CT)
120/208Y	3	4	601-1200	36	36	12	3-(2 Wire CT)
347/600Y	3	4	200-1200	36	36	12	3-(2 Wire CT)

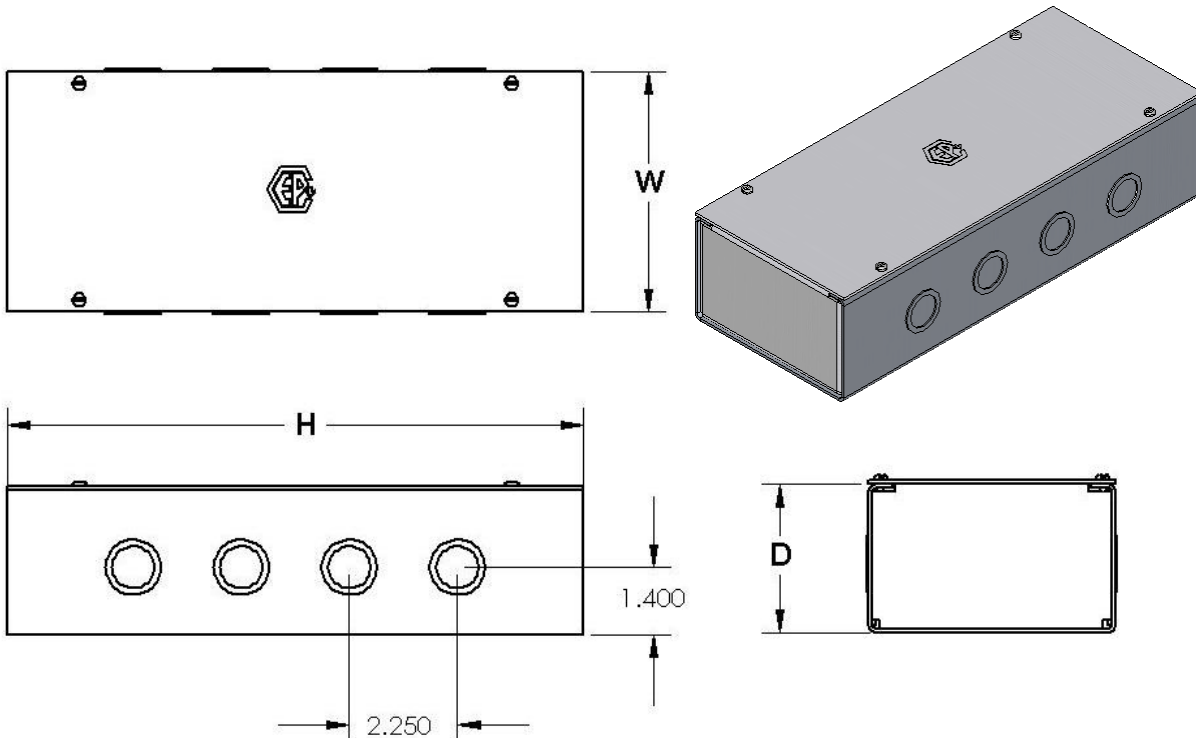
CSA 1 WIREWAYS

Wireways are used as junction or pull boxes and are suitable for surface mounting with a screw cover. Boxes and covers are manufactured from 12 Ga or 10 Ga aluminum.

The wire ways are complete with screw cover.

Options include: concentric knockouts or no knockouts.

C.S.A. Certified / UL Listed

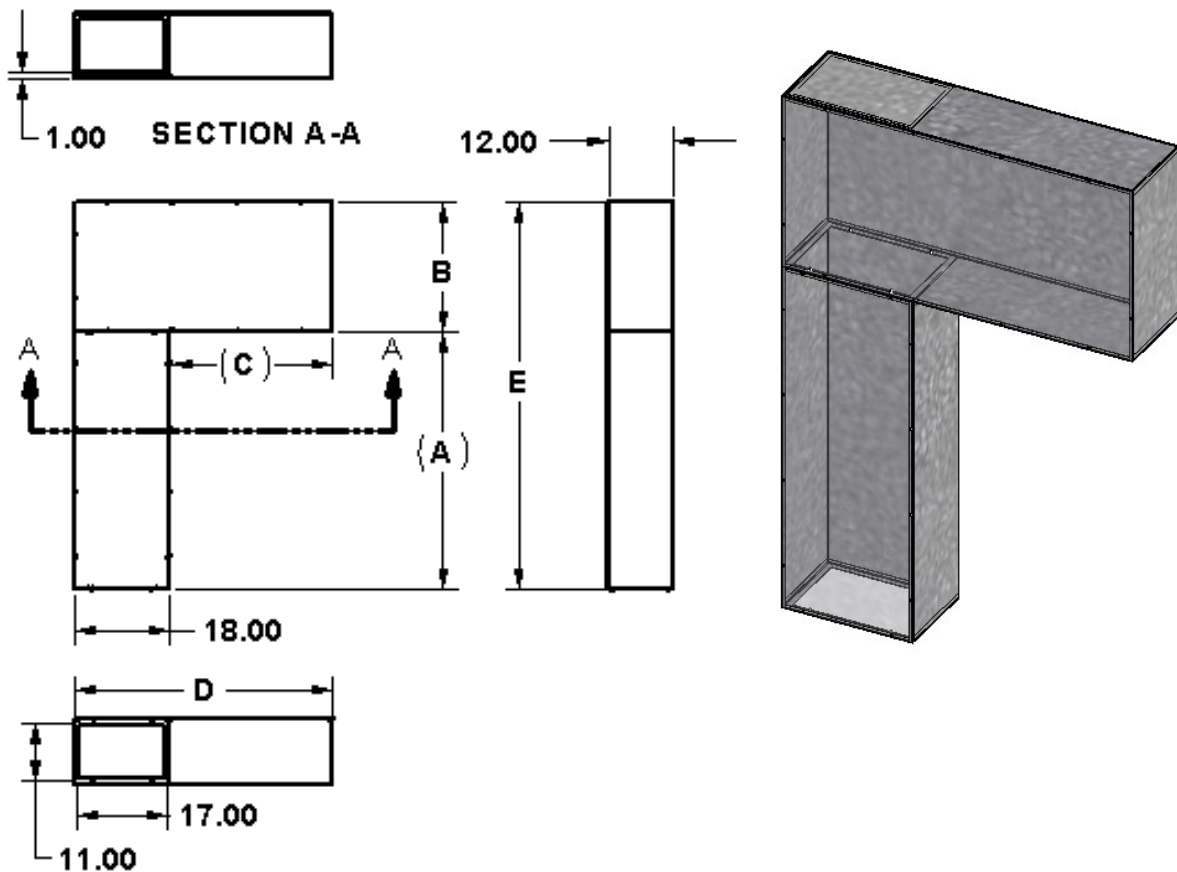


<u>Cat No:</u>	<u>H</u>	<u>W</u>	<u>D</u>	<u>LBS.</u>
D-A-120503	12	5	3	2.0
D-A-180503	18	5	3	3.0
D-A-245003	24	5	3	4.0
D-A-360503	36	5	3	6.0
D-A-480503	48	5	3	7.0
D-A-600503	60	5	3	9.0
D-A-720503	72	5	3	10.0

CSA 1 BC HYDRO "L" BOXES

The BC Hydro "L" boxes are used as pull boxes. Our two piece design has a removable top cover plate, which eliminates the confusion of specifying left or right configurations. Simply remove the cover plate, flip the box, bolt together and replace

the cover over the unused hole. The boxes, manufactured from 14 Ga galvanized steel come with open bottom. Bottom entry plate available upon request. Plastic edging is supplied to protect cables.
C.S.A. Certified / UL Listed



Cat No:	SWITCH SIZE	A	B	C	D	E
DL-G-200	200 AMP	48	24	30	48	72
DL-G-400	400 AMP	62	24	30	48	86
DL-G-600	600-800 AMP	62	30	36	54	92

CSA 1 CONSOLIDATION BOXES

The consolidation point, which is in the consolidation box, is an interconnection point within the horizontal cabling. It differs from the multi-user telecommunications outlet assembly in that it requires an additional connection for each horizontal cable run. A consolidation point may be useful when reconfiguration is frequent, but not so frequent as to require the flexibility of the multi-user telecommunications outlet assembly.

No more than one consolidation point shall be used within the same horizontal cable run.

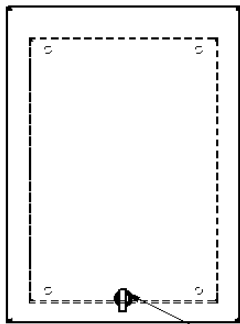
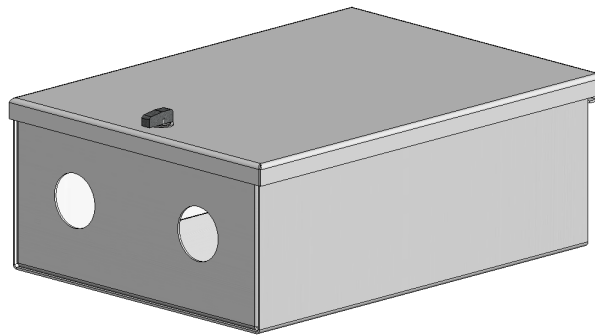
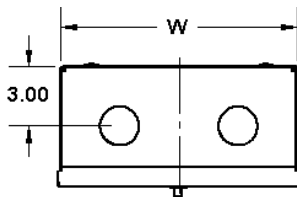
Each horizontal cable extending to the work area outlet from the consolidation point shall be terminated to a telecommunications outlet/connector or multi-user telecommunications outlet assembly.

The enclosures are manufactured from 12 Ga Aluminum.

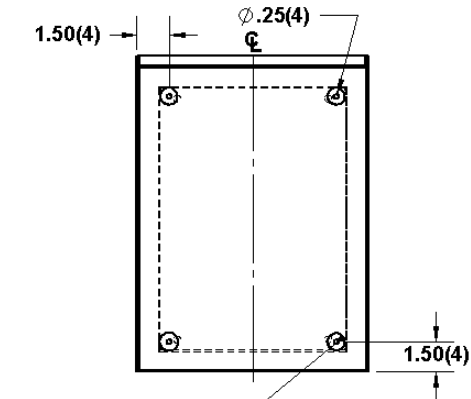
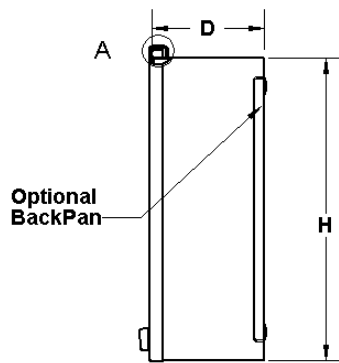
They have lift off cover with thumb latch.

Options include: Back Panels, and 1/4 Turn Locks.

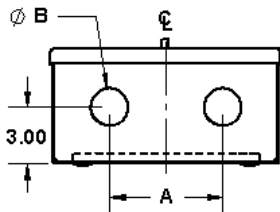
C.S.A. Certified / UL Listed



1/4 Turn Thumb Latch



Raised Mounting Foot



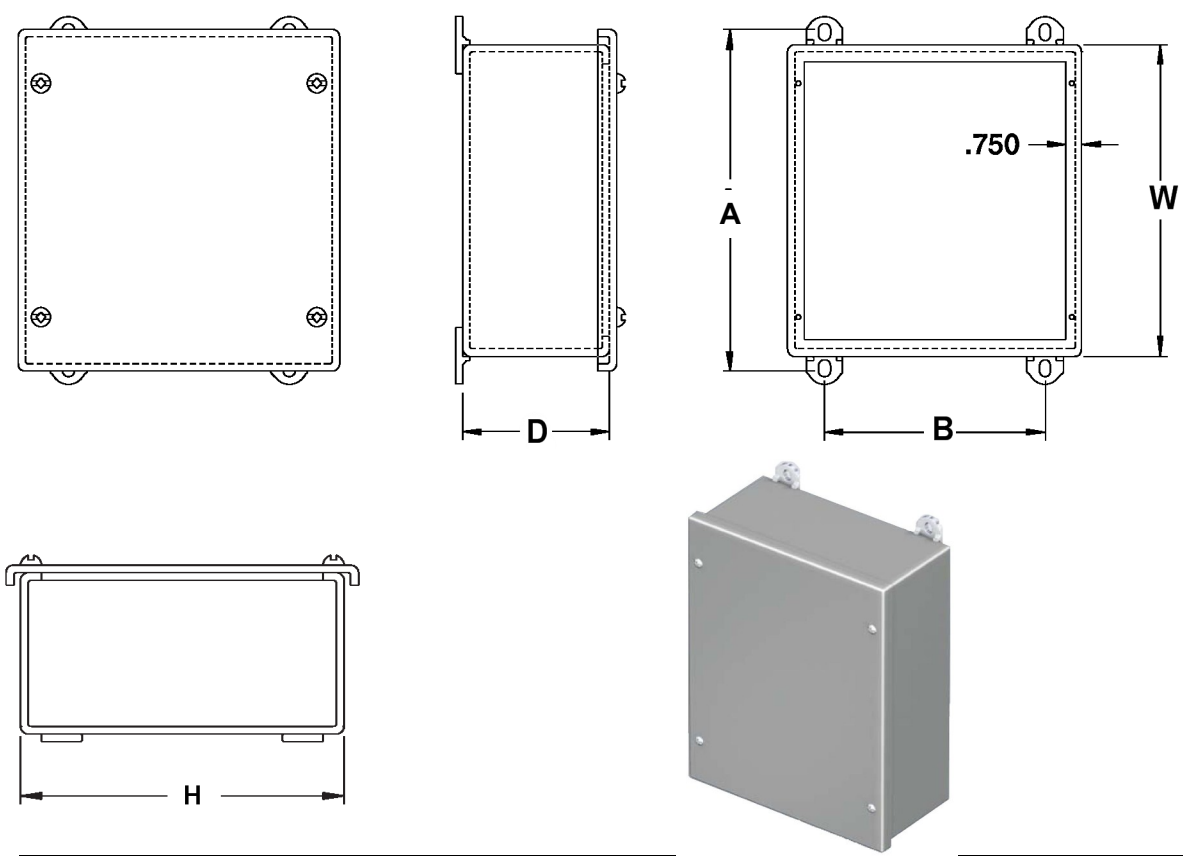
DETAIL A

Cat No:	H	W	D	A	B	WEIGHT (lbs)
CON-A-161206	16	12	6	6	2	7.5
CON-A-201606	20	16	6	8	3	10.0

CSA 3 STEEL PULL BOXES SCREW COVER

The DWP-STL boxes are used as junction boxes for outdoor or indoor installations. These enclosures are designed to protect equipment against rain, sleet and snow. Enclosures are made from 16 Ga or 14 Ga steel. The box seams are continuously welded to prevent rain, sleet or snow from

entering and the oil resistant high quality gasket ensures integrity. Four external mounting holes are provided. Enclosures are ASA 61 grey finished with heat fused polyester powder, electrostatically applied on a phosphatized base. C.S.A. Certified / UL Listed



Cat No:	H	W	D	A	B	LBS.
D-WP-S-060603	6	6	3	6.5	4	1.5
D-WP-S-060604	6	6	4	6.5	4	2.0
D-WP-S-080804	8	8	4	8.5	6	2.5
D-WP-S-080806	8	8	6	8.5	4	3.5
D-WP-S-101004	10	10	4	10.5	8	3.5
D-WP-S-101006	10	10	6	10.5	8	4.5
D-WP-S-121204	12	12	4	12.5	10	4.5
D-WP-S-121206	12	12	6	12.5	10	5.0



604-540-0011

Fax: 604-540-0033 Toll Free: 1-888-222-CODE

sales@codeelectric.com

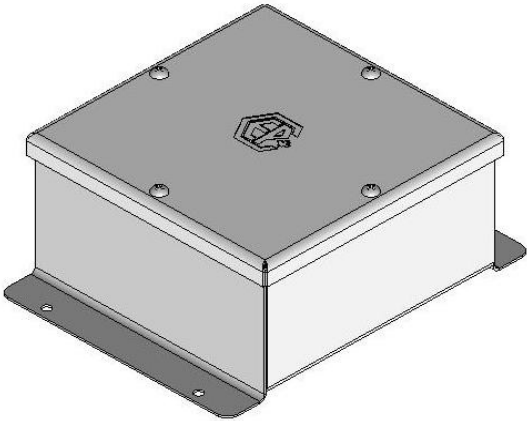
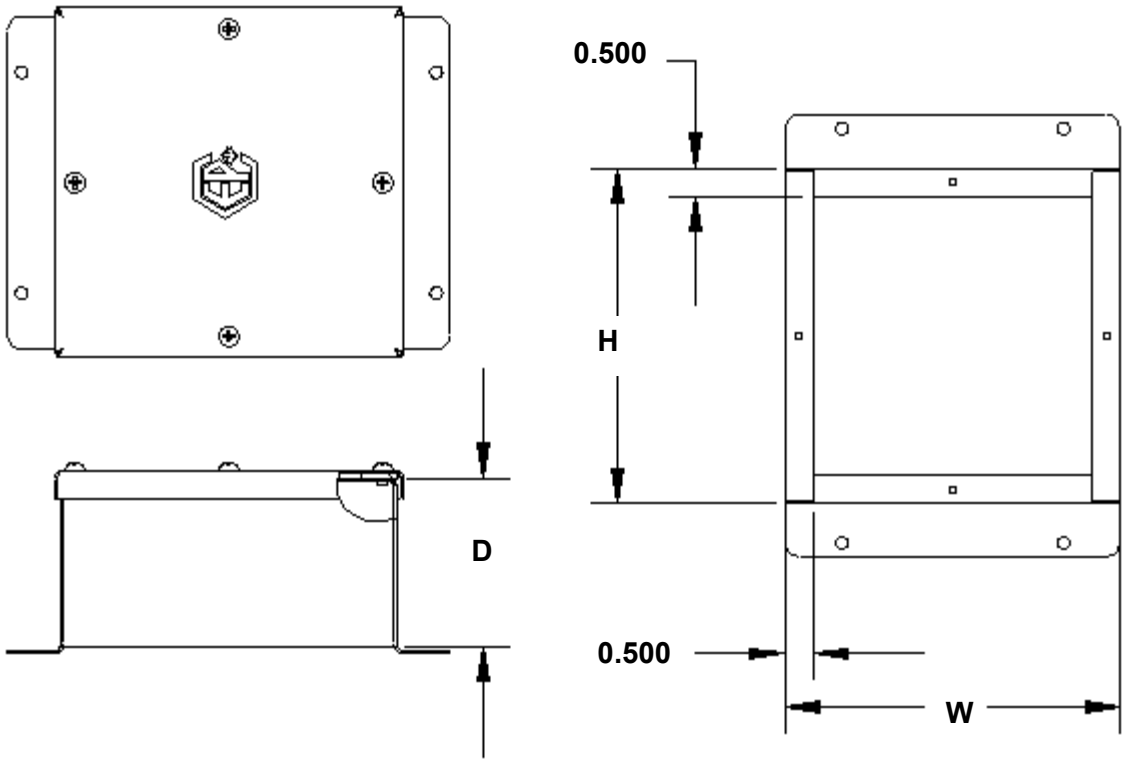
CSA 3 ALUMINUM PULL BOXES SCREW COVER

The DWP-AL boxes are used as junction boxes in outdoor or indoors installations where dripping water is a problem. These enclosures are designed to protect equipment against rain, sleet and snow. They are made from 12 Ga aluminum.

The boxes are solid welded, and the oil resistant high quality gasket ensures integrity.

Options include: hinged covers and padlockable hasps .

C.S.A. Certified / UL Listed

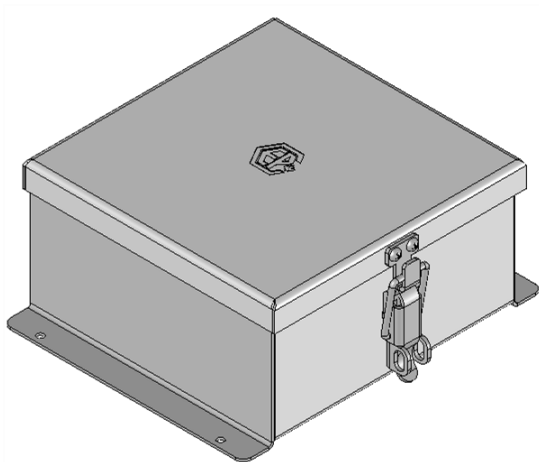
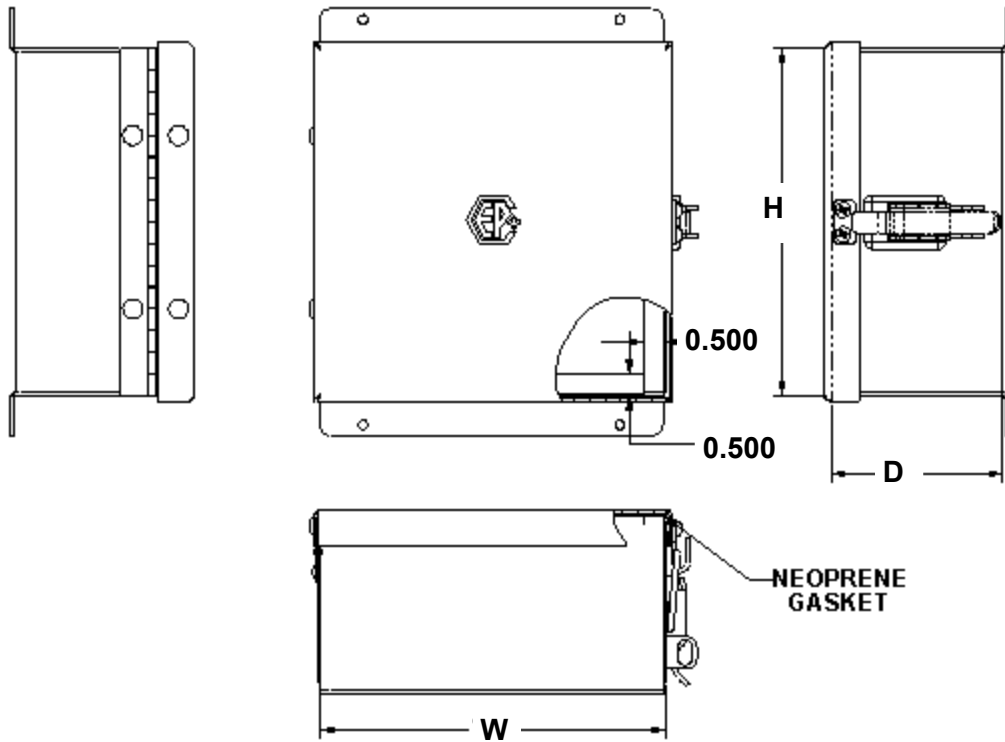


Cat No:	H	W	D	LBS.
D-WP-A-060603	6	6	3	1.5
D-WP-A-060604	6	6	4	2.0
D-WP-A-060606	6	6	6	3.0
D-WP-A-080804	8	8	4	2.5
D-WP-A-080806	8	8	6	3.5
D-WP-A-101004	10	10	4	3.5
D-WP-A-101006	10	10	6	4.5
D-WP-A-121204	12	12	4	4.5
D-WP-A-121206	12	12	6	5.0

CSA 3 STEEL PULL BOXES HINGED COVER

The EWP-AL are used as junction boxes in outdoor or indoors installations where dripping water is a problem. These enclosures are designed to protect equipment against rain, sleet and snow. Enclosures are made from 12 Ga aluminum.

The box is solid welded, and the oil resistant neoprene gasket ensures integrity. The enclosure is complete with continuous piano hinged cover and padlockable hasp. Custom sizes are available. C.S.A. Certified / UL Listed




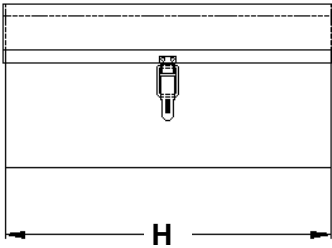
<u>Cat No:</u>	<u>H</u>	<u>W</u>	<u>D</u>	<u>LBS.</u>
E-WP-A-060604	6	6	4	2.0
E-WP-A-060606	6	6	6	2.0
E-WP-A-080804	8	8	4	3.0
E-WP-A-080806	8	8	6	3.0
E-WP-A-101004	10	10	4	3.0
E-WP-A-101006	10	10	6	4.0
E-WP-A-121204	12	12	4	4.0
E-WP-A-121206	12	12	6	5.0

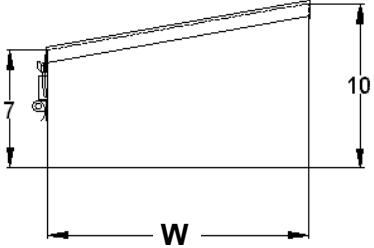
CSA 3 AND 1 SLOPED TOP CONSOLE


The SL consoles are used indoors to protect electrical equipment against dirt, dust, oil and water splashing. The enclosures are manufactured from 14 Ga steel. The seams are solid welded. The consoles are complete with continuous

piano hinged cover and padlockable hasp. The oil resistant neoprene gasket is used to ensure the integrity of the enclosure. Optional print pockets are available. The consoles are powder coated ASA-61 Grey. C.S.A. Certified / UL Listed









<u>Cat. No:</u>	<u>W</u>	<u>H</u>	<u>Rear</u>	<u>Front</u>	<u>LBS</u>
SLC-S-161610	16	16	10	7	26
SLC-S-162010	16	20	10	7	31
SLC-S-162410	16	24	10	7	35
SLC-S-163010	16	30	10	7	42
SLC-S-163610	16	36	10	7	49

CSA 1 Custom Sloped Consoles

The Custom Sloped Consoles are manufactured from aluminum, steel and stainless steel. Custom paint and powder

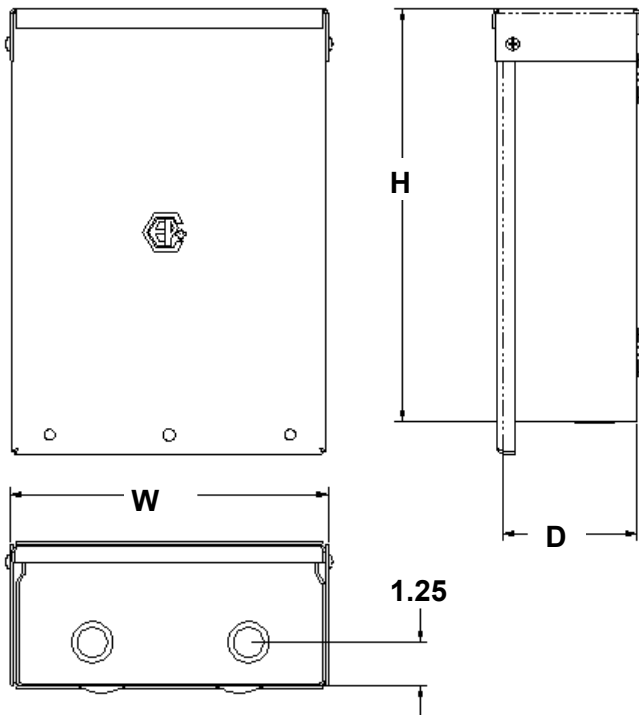
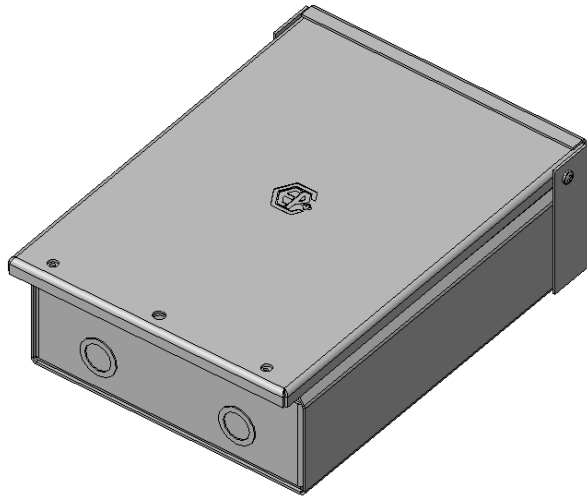
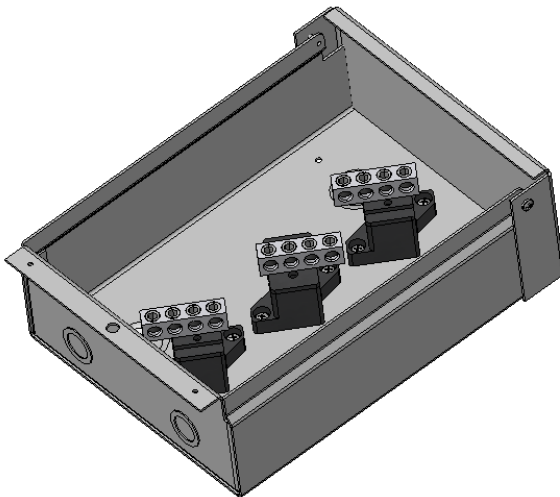
coating are available. Options include: carry handles, 1/4 turn latches and hasps. C.S.A. Certified / UL Listed



CSA 3 ALUMINUM TRAILER BOXES

The TR boxes are used as junction boxes in outdoor or indoors installations where dripping water is a problem. These enclosures are manufactured from 12 Ga aluminum. They are available in 125-225 amp capacities, and one side has concentric

knockouts. The enclosures are complete with hinged cover, that acts as a rain hood preventing water from reaching electrical components. Custom horizontal mounting boxes are available. C.S.A. Certified



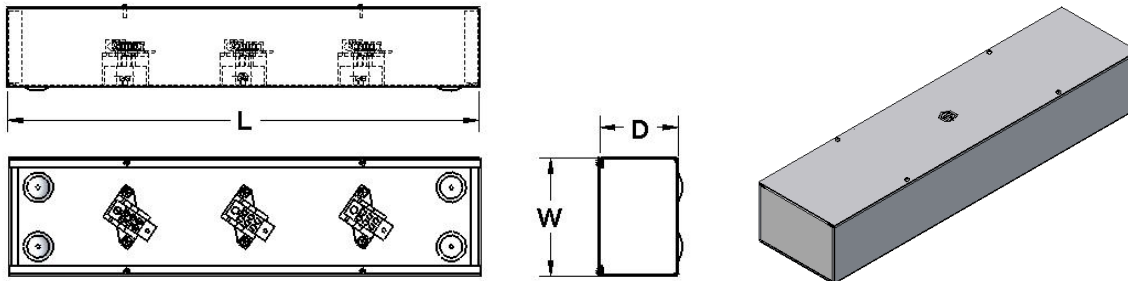
Cat. No.	Amps	H	W	D	LBS.
TR-A-1	125	12	9	3.75	4.0
TR-A-2	225	14	11	4.5	5.0

Amps	Wires	
	Main	Branch
125	1 x 14-2/0	3 x 14-2/0
225	1 x 6-300MCM	2 x 14-2/0 + 1 x 6-300 MCM

CSA 1 PAD TYPE SPLITTER TROUGH STEEL

The PAD splitter troughs are designed for 600 V (max.) service, 3 or 4 wires. They are manufactured from 16 Ga or 14 Ga pregalvanized steel. The enclosures have mounting holes in the back, and come

complete with screw cover. The splitter blocks are factory installed. Options include: hinged cover, weatherproof, and custom paint colors. C.S.A. Certified



Define: **PAD** **A** **B** **C**
 Series Length Amperage Number of wires

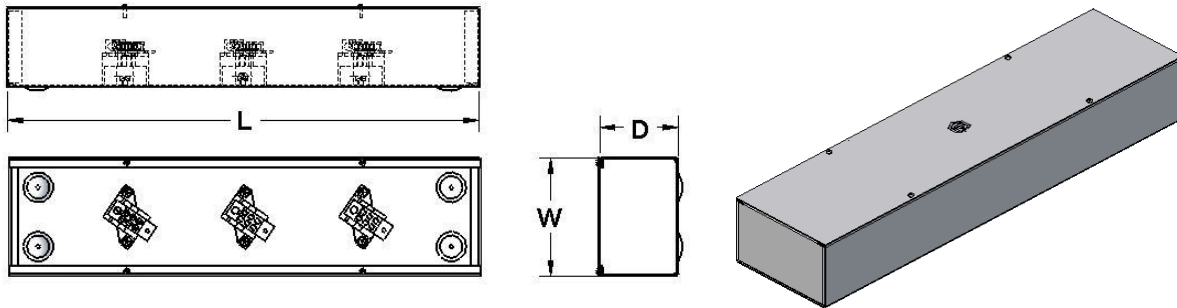
Example : **PAD-G-3613**: 36 inches /125 Amp / 3 wire

Cat. No.		Main Lugs			Branch Lugs									
3 Wire	4 Wire	Amp	Qty.	Wires	Qty.	Wires	L	W	D	LBS				
PAD-G-2413	_____	125	1	14-1/0	6	14-2	24	6	4	10.0				
PAD-G-3613	PAD-G-3614						36	6	4	17.0				
PAD-G-4813	PAD-G-4814						48	6	4	20.0				
PAD-G-6013	PAD-G-6014						60	6	4	24.0				
PAD-G-7213	PAD-G-7214						72	6	4	33.0				
PAD-G-2423	_____	225	1	6-300 MCM	6	14-2/0	24	8	5	13.0				
PAD-G-3623	PAD-G-3624						36	8	5	22.0				
PAD-G-4823	PAD-G-4824						48	8	5	30.0				
PAD-G-6023	PAD-G-6024						60	8	5	40.0				
PAD-G-7223	PAD-G-7224						72	8	5	46.0				
PAD-G-3643	_____	400	2	1/0-250 MCM	6	2-3/0	36	10	6	28.0				
PAD-G-4843	PAD-G-4844						48	10	6	36.0				
PAD-G-6043	PAD-G-6044		4	1		4 – 600 MCM	4-4/0	60	10	6	50.0			
PAD-G-7243	PAD-G-7244							72	10	6	55.0			
PAD-G-4863	PAD-G-4864	600	4	1/0-250 MCM	6	2-3/0	48	10	6	37.0				
PAD-G-6063	PAD-G-6064						4	2	4-600MCM	4-4/0	60	10	6	50.0
PAD-G-7263	PAD-G-7264										72	10	6	53.0

CSA 1 PAD TYPE SPLITTER TROUGH ALUMINUM

The PAD splitter troughs are designed for 600 V (max.) service, 3 or 4 wires. They are manufactured from 12 Ga or 10 Ga aluminum. The enclosures have mounting holes in the back, and come complete with screw cover.

The splitter blocks are factory installed. Options include: hinged cover, weatherproof, and painted. C.S.A. Certified



Define: **PAD** **A** **B** **C**
 Series Length Amperage Number of wires

A **B** **C**

Example : **PAD-A-3613**: 36 inches / 125 Amp / 3

Cat. No.		Main Lugs			Branch Lugs		L	W	D	LBS.	
3 Wire	4 Wire	Amp	Qty.	Wires	Qty.	Wires					
PAD-A-2413	_____	125	1	14-1/0	6	14-2	24	6	4	10.0	
PAD-A-3613	PAD-A-3614						36	6	4	17.0	
PAD-A-4813	PAD-A-4814						48	6	4	20.0	
PAD-A-6013	PAD-A-6014						60	6	4	24.0	
PAD-A-7213	PAD-A-7214						72	6	4	33.0	
PAD-A-2423	_____	225	1	6-300 MCM	6	14-2/0	24	8	5	13.0	
PAD-A-3623	PAD-A-3624						36	8	5	22.0	
PAD-A-4823	PAD-A-4824						48	8	5	30.0	
PAD-A-6023	PAD-A-6024						60	8	5	40.0	
PAD-A-7223	PAD-A-7224						72	8	5	46.0	
PAD-A-3643	_____	400	2	1/0-250 MCM	6	2-3/0	36	10	6	28.0	
PAD-A-4843	PAD-A-4844						48	10	6	36.0	
PAD-A-6043	PAD-A-6044		60	1		4 – 600 MCM	4-4/0	60	10	6	50.0
PAD-A-7243	PAD-A-7244		72					10	6	55.0	
PAD-A-4863	PAD-A-4864	600	4	1/0-250 MCM	6	2-3/0	48	10	6	37.0	
PAD-A-6063	PAD-A-6064						60	10	6	50.0	
PAD-A-7263	PAD-A-7264		72	2		4-4/0	72	10	6	53.0	

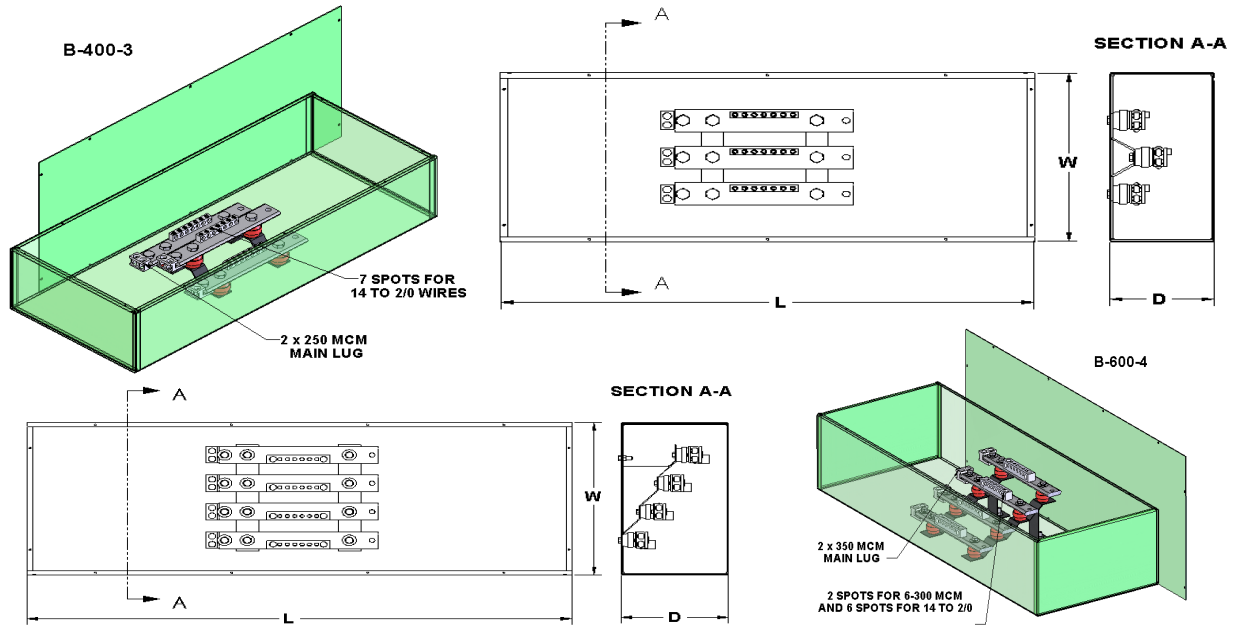
CSA 1 BAR TYPE SPLITTER TROUGH ALUMINUM

The BAR type splitter trough are used indoor for cabling electrical power distribution, permitting main circuit conductors to be split into multiple branch circuit conductors. Terminal blocks are preinstalled for both three and four wire power distribution systems. The boxes are complete with screw cover.

Trough and cover are manufactured from 12 Ga or 10 Ga aluminum.

Options include: additional copper or aluminum lugs, powder coating, hinged cover, and weatherproof .

C.S.A. Certified



Define: **BAR** **A** **B** **C**
 Series Amper- Length Number of wires

Example : **BAR-A-400-36-3**: 400 Amp/ 36 inches / 3

Cat. No.		Main Lugs			Branch Lugs		Splitter Box			
<u>3 Wire</u>	<u>4 Wire</u>	<u>Amp</u>	<u>Qty.</u>	<u>Wires</u>	<u>Qty.</u>	<u>Wires</u>	<u>L</u>	<u>W</u>	<u>D</u>	<u>LBS.†</u>
BAR-A-400-24-3	BAR-A-400-24-4*	400	2	250 MCM	7	14-2/0	24	15	7	21.0
BAR-A-400-36-3	BAR-A-400-36-4*	400	2	250 MCM	7	14-2/0	36	15	7	21.0
BAR-A-400-48-3	BAR-A-400-48-4	400	2	250 MCM	7	14-2/0	48	15	7	28.0
BAR-A-400-60-3	BAR-A-400-60-4	400	2	250 MCM	7	14-2/0	60	15	7	31.0
BAR-A-400-72-3	BAR-A-400-72-4	400	2	250 MCM	7	14-2/0	72	15	7	35.0
BAR-A-600-36-3	BAR-A-600-36-4*	600	2	350 MCM	2	6-300 MCM	36	15	7	25.0
BAR-A-600-48-3	BAR-A-600-48-4*	600	2	350 MCM	and		48	15	7	29.0
BAR-A-600-60-3	BAR-A-600-60-4	600	2	350 MCM			60	15	7	32.0
BAR-A-600-72-3	BAR-A-600-72-4	600	2	350 MCM	6	14-2/0	72	15	7	39.0
* Box size W x D = 18 x 9.5						† For 4 wire system add 4 lbs				

CSA 1 CONTINUOUS BUS GUTTERS

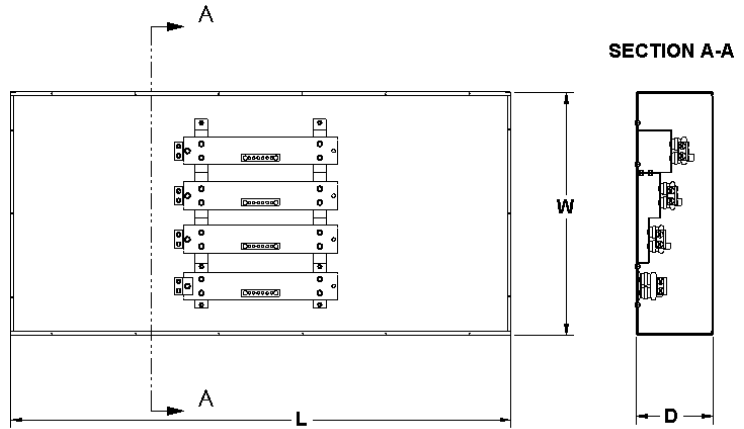
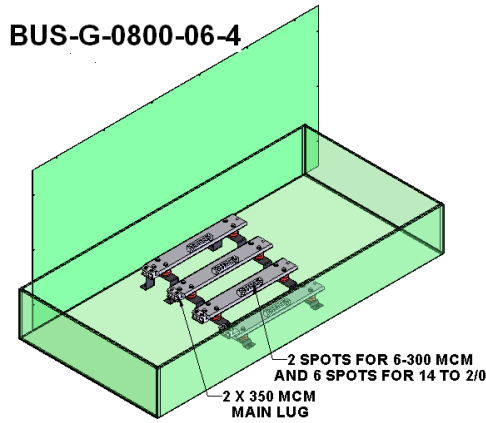
The continuous BUS gutters are used indoor for cabling electrical power distribution permitting main circuit conductors to be split into multiple branch circuit conductors. Continuous bus bars are preinstalled for both three and four wire power distribution systems. They are complete with screw cover.

The 400-600 amp bus gutters are manufactured from 12 Ga or 10 Ga aluminum. The 800-1200 amp bus gutters are manufactured from 14 Ga or 12 Ga steel.

Options include: copper bar, additional copper or aluminum lugs, drilled and tapped bars, weatherproof.

C.S.A. Certified

Define:	BUS Series	A Amperage	B Length	C Number of wires
		A	B	C
	Example : BUS-G-0800-06-4: 800 Amp / 6 foot / 4 wire			



Amps	Main Lugs	Branch Lugs		3 Wire	4 Wire
		4-6 Feet L	7-12 Feet L	Box Size W x D	Box Size W X D
400	Double 250 MCM	2 6-300 MCM and 2 14-2/0	4 6-300 MCM and 4 14-2/0	15 x 7	18 x 9 1/2
600	Double 350 MCM	2 6-300 MCM and 2 14-2/0	4 6-300 MCM and 4 14-2/0	15 x 7	18 x 9 1/2
800	Double 600 MCM	2 6-300 MCM and 6 14-2/0	4 6-300 MCM and 12 14-2/0	28 1/2 x 9	35 x 11
1200	Double 1000 MCM	2 6-300 MCM and 6 14-2/0	4 6-300 MCM and 12 14-2/0	28 1/2 x 9	35 x 11

CSA 1 CONTINUOUS BUS GUTTERS

Ship Weights for Continuous Bus Gutters

BUS-A-0400-04-03	35.0 LBS.	BUS-A-0600-12-04	109.0 LBS.
BUS-A-0400-04-04	40.0 LBS.	BUS-G-0800-04-03	153.0 LBS.
BUS-A-0400-06-03	44.0 LBS.	BUS-G-0800-04-04	159.0 LBS.
BUS-A-0400-06-04	48.0 LBS.	BUS-G-0800-05-04	193.0 LBS.
BUS-A-0400-08-03	61.0 LBS.	BUS-G-0800-06-03	186.0 LBS.
BUS-A-0400-08-04	67.0 LBS.	BUS-G-0800-06-04	230.0 LBS.
BUS-A-0400-10-03	74.0 LBS.	BUS-G-0800-08-03	336.0 LBS.
BUS-A-0400-10-04	95.0 LBS.	BUS-G-0800-10-03	378.0 LBS.
BUS-A-0400-12-03	112.0 LBS.	BUS-G-0800-10-04	678.0 LBS.
BUS-A-0400-12-04	121.0 LBS.	BUS-G-0800-12-03	662.0 LBS.
BUS-A-0600-04-03	33.0 LBS.	BUS-G-0800-12-04	614.0 LBS.
BUS-A-0600-04-04	37.0 LBS.	BUS-G-1200-06-03	327.0 LBS.
BUS-A-0600-05-04	67.0 LBS.	BUS-G-1200-05-04	237.0 LBS.
BUS-A-0600-06-03	45.0 LBS.	BUS-G-1200-05-03	190.0 LBS.
BUS-A-0600-06-04	54.0 LBS.	BUS-G-1200-12-04	694.0 LBS.
BUS-A-0600-07-04	64.0 LBS.	BUS-G-1200-12-03	555.0 LBS.
BUS-A-0600-08-03	83.0 LBS.	BUS-G-1200-10-04	663.0 LBS.
BUS-A-0600-08-04	73.0 LBS.	BUS-G-1200-10-03	538.0 LBS.
BUS-A-0600-09-04	83.0 LBS.	BUS-G-0800-08-04	302.0 LBS.
BUS-A-0600-10-03	76.0 LBS.	BUS-G-1200-08-04	465.0 LBS.
BUS-A-0600-10-04	95.0 LBS.	BUS-G-1200-08-03	215.0 LBS.
BUS-A-0600-12-03	112.0 LBS.	BUS-G-1200-06-04	260.0 LBS.



CATV and Telephone Enclosure

PT6 Multi Port NIB Housing

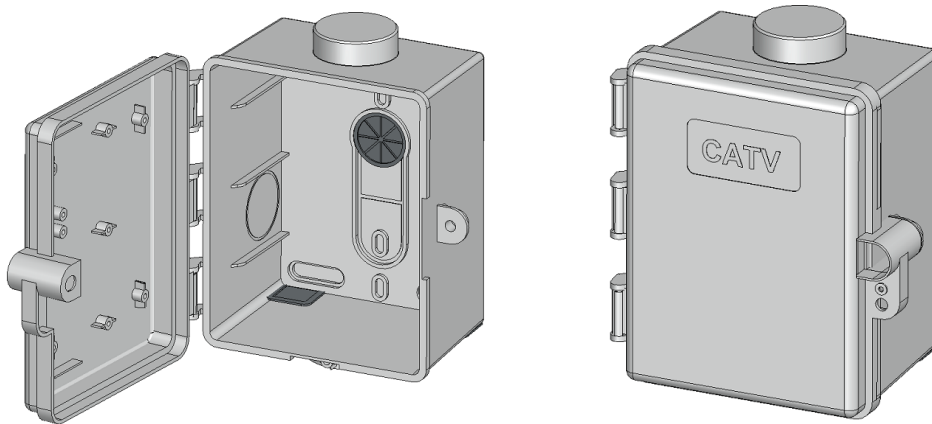
The PT6 are weatherproof designed. These 3 port NIB housing feature a rear entry port, 2 side knockouts, 1 interior LB knockout and pipe adapters for easy access. The upper conduit adapter accepts diameters of 1 1/4" and 2 1/2" steel, while the lower conduit adapter accommodates diameters of 3/4", 1",

and 2". Standard color is grey.

The PT6 enclosures are adaptable to both surface and pole mount applications.

The PT6F enclosures have F81 security locking connectors.

Inside Dimensions:H: 7.63"x W: 5.9"x D: 4.6"
Telus and C.S.A. approved.



<u>Cat.No.</u>	<u>Description</u>
C-PT6F	Surface-Plastic CATV Enclosure
T-PT6S	Surface-Plastic TELEPHONE Enclosure

CSA 1 TELEPHONE/CABLEVISION DISTRIBUTION BOX

CATV and Telephone Enclosure

PWD6 Multi PURPOSE in-Wall Housing

This multi port in wall housing is designed to ensure the structural integrity of building envelopes. Its innovative design directs moisture away from building facades and the underlying structural framework.

The PWD6S features dual drip ledges, a mounting splashboard, grounding post, top and rear body knockouts and a base entry port, which will accommodate a maximum of

2" PVC conduit. Additional future wiring can be accommodated through the front bottom grommet, without compromising the water penetration protection.

Standard color is grey.

Inside dimensions:

PWD6F + PWD6S: H: 7.7" x W: 5.9" x D: 4.75"

PWDSFL: H: 13" x W: 8" x D: 5.6"

Telus and C.S.A. approved.



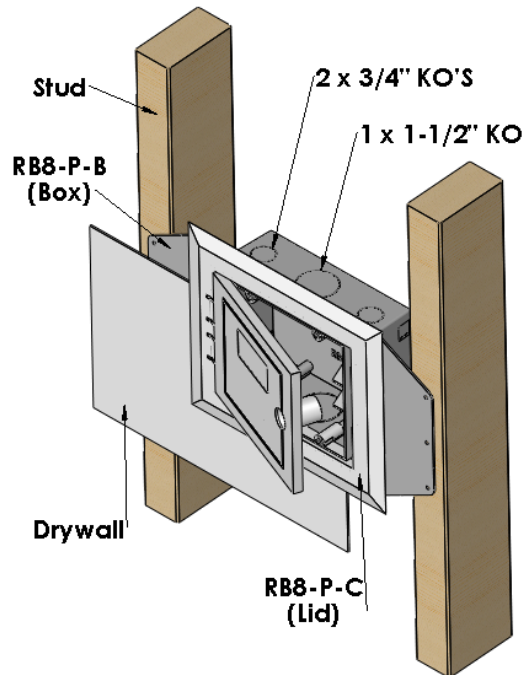
<u>Cat.No.</u>	<u>Description</u>
C-PWD6F	Flush-Plastic CATV Enclosure accommodate 1-5 CATV per box
C-PWDSFL	Flush-Plastic CATV Enclosure accommodate 1-16 CATV per box
T-PWD6S	Flush-Plastic TELEPHONE Enclosure

CSA 1 TELEPHONE/CABLEVISION DISTRIBUTION BOX

RB 8

The RB 8 enclosures are designed for multi dwelling units. Boxes are manufactured from plastic and can be flush mounted in the wall housing. They have a large flange for ease of installation between two studs at a maximum 16" apart. The box size is 8.5x7x3 inches.

The lock hole complies with a F81 security locking connector for added protection. The color of lid is beige and the color of the box is grey. They are Rogers Cable and Shaw approved. C.S.A. Certified



<u>Cat.No.</u>	<u>Description</u>
RB8-P-B	Cable Box
RB8-P-C	Cover

GROUNDING BUSBAR

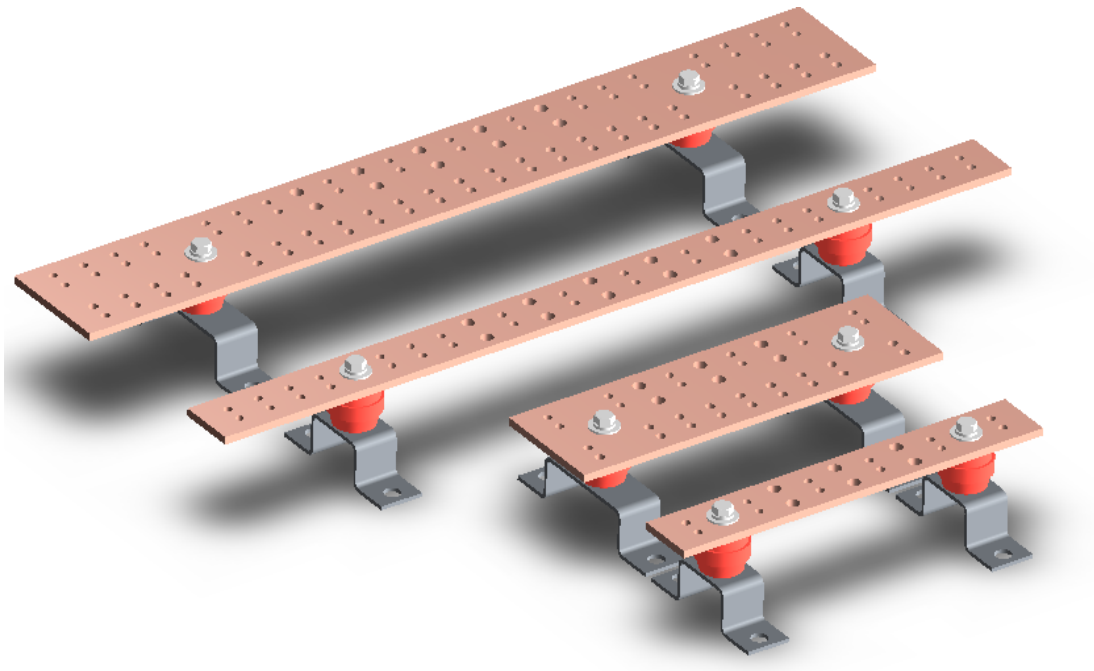
Telecommunications Grounding Busbar and Grounding Main Busbar

Applications:

The TGB and TGB-M are parts used in telecommunications grounding systems. The TGB-M is the extension of the building grounding electrode system for the telecommunications infrastructure. The TGB centrally connects systems and equipment served by a telecommunications cabinet. The bonding conductor between the TGB-M and TGB should be continuous and run in the most direct path.

Features:

- Stainless steel brackets and fasteners provide superior corrosion resistance.
- Standoff Insulators provide busbar isolation
- Splice plates for both TGB and TGB-M busbar allow for future expansion or the use of multiple smaller lengths to meet system requirements.



Options:

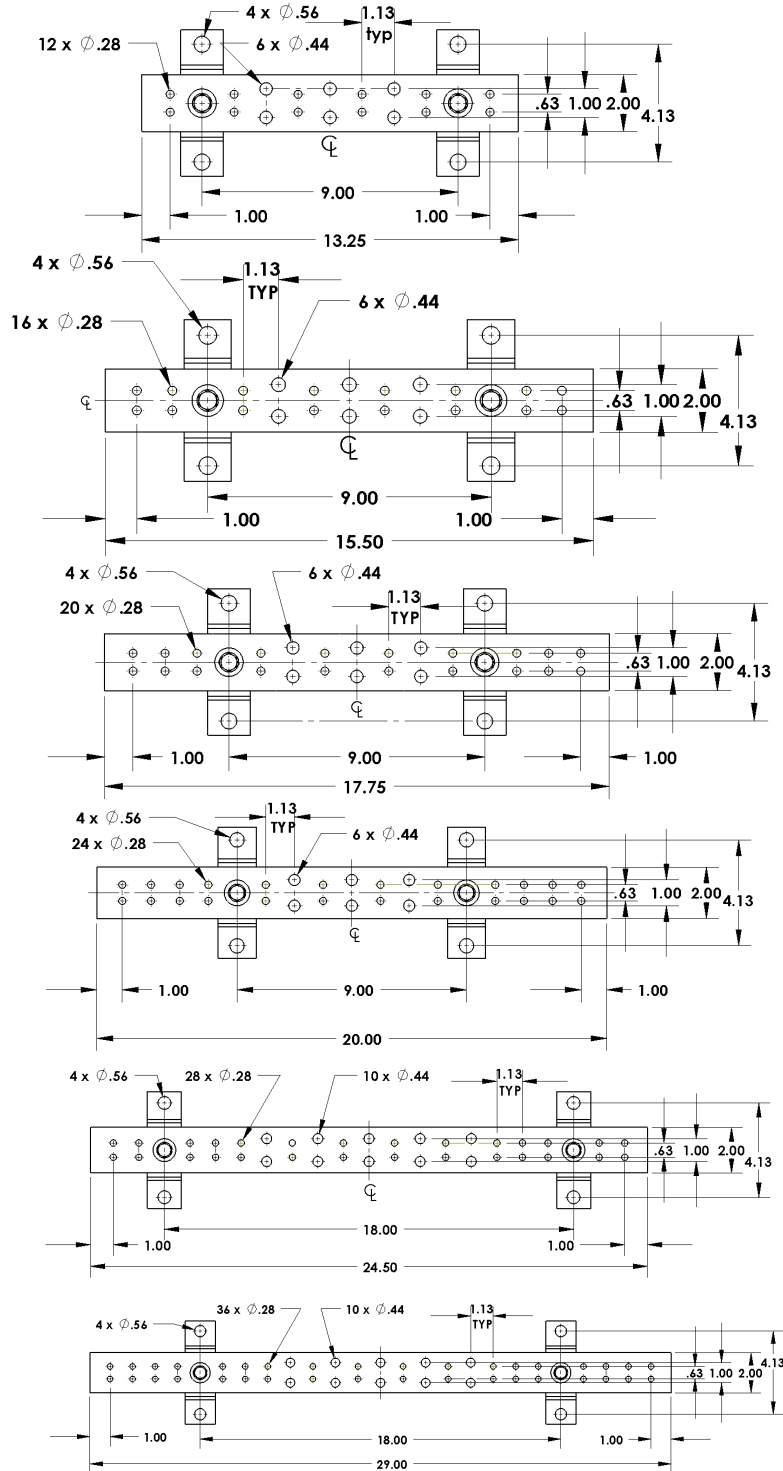
- Electro-tin plated busbars
- Various insulators
- Plates and fasteners for splicing two TGB or two TMGB busbars
- Aluminum Brackets

GROUNDING BUSBAR

Telecommunications Grounding Busbar

Specifications:

Catalog Number



TGB-13

TGB-15

TGB-17

TGB-20

TGB-24

TGB-29

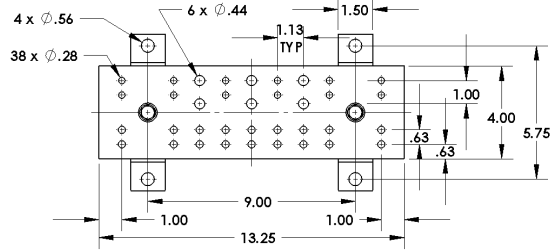


GROUNDING BUSBAR

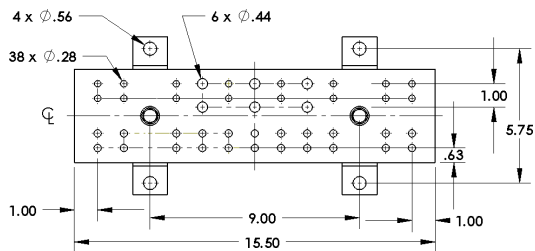
Telecommunications Grounding Main Busbar

Specifications:

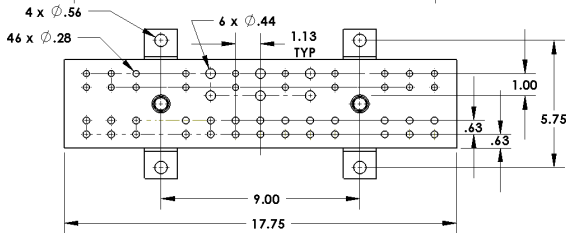
Catalog Number



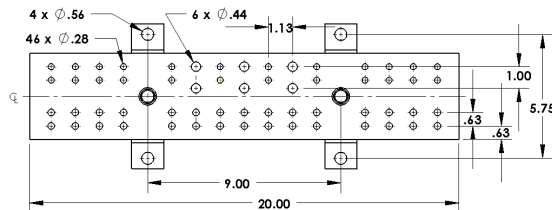
TGB-M13



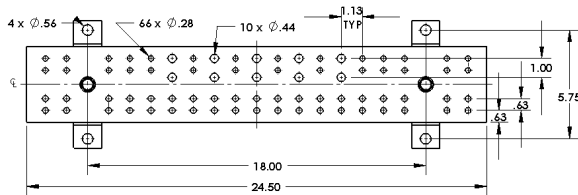
TGB-M15



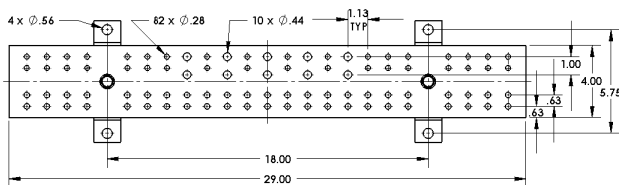
TGB-M17



TGB-M20



TGB-M24



TGB-M29

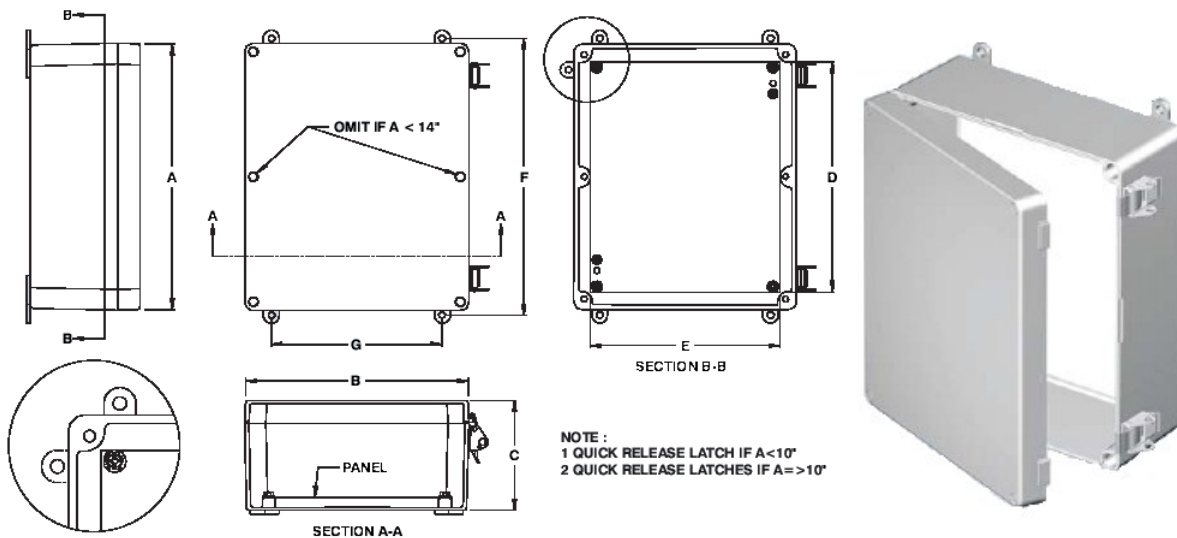
NEMA 4X-12 FIBERGLASS

The 5412ESFRQ series are suited for indoor or outdoor use, where corrosion may be a problem, to protect the equipment from water coming from any direction, dust, dirt, and oil. They are made of SMC polyester fiberglass composite and come with a gasket that ensures a complete NEMA 4X seal. The quick release latches are made of stainless steel. The concealed hinges are removable and allow for 180° door opening. The hinges

can be placed on any side of the enclosure, and permit right, left, top or bottom door opening. The mounting feet can be installed at 0° or 90°, to be used either at the top and bottom of the box or its sides. The enclosures come with a JIC standard 14 Ga inner panel, powder coated white. Inner panels and mounting feet are secured by antivibration screws.

C.S.A. Certified / UL Listed

Quick release cover fiberglass enclosures



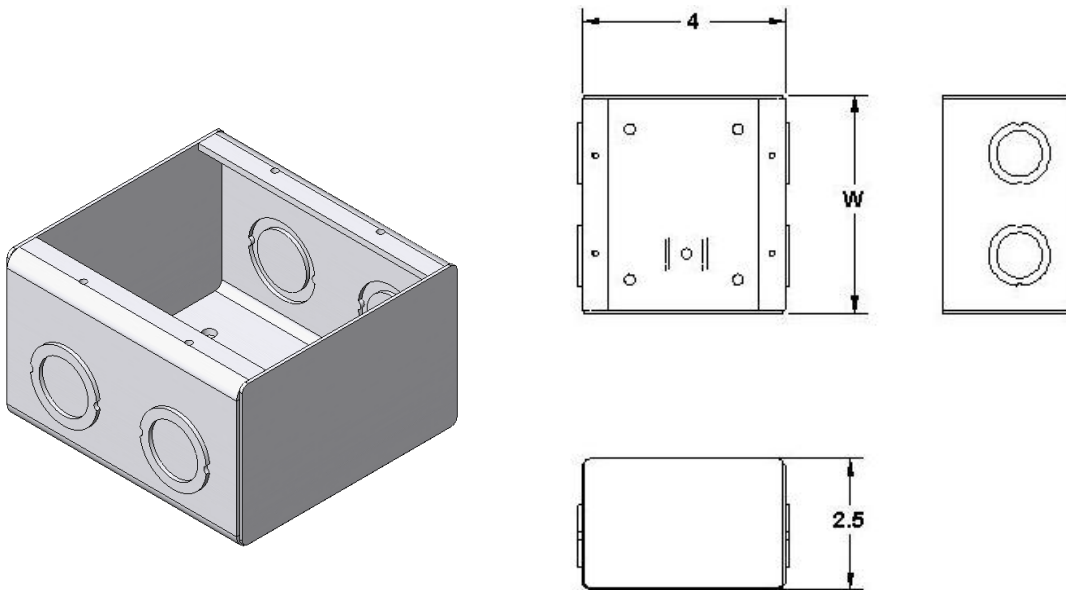
Cat No:	A	B	C	D	E	F	G	LBS.
EXM-5412 ESFRQ040403	4.5	4.5	3.125	-	-	4.937	2	1
EXM-5412 ESFRQ060404	6.5	4.5	4.125	4.75	2.880	6.937	2	2.0
EXM-5412 ESFRQ060604	6.5	6.5	4.125	4.75	4.880	6.937	4	2.0
EXM-5412 ESFRQ060804	6.5	8.5	4.125	4.88	6.750	6.937	6	2.0
EXM-5412 ESFRQ080604	8.5	6.5	4.125	6.75	4.880	8.937	4	2.0
EXM-5412 ESFRQ080804	8.5	8.5	4.125	6.75	6.880	8.937	6	3.0
EXM-5412 ESFRQ100804	10.5	8.5	4.125	8.75	6.880	10.937	6	4.0
EXM-5412 ESFRQ100806	10.5	8.5	6.125	8.75	6.880	10.937	6	6.0
EXM-5412 ESFRQ101205	10.5	12.5	5.125	8.88	10.750	10.937	10	7.0
EXM-5412 ESFRQ121005	12.5	10.5	5.125	10.75	8.880	12.937	8	7
EXM-5412 ESFRQ121206	12.5	12.5	6.125	10.75	10.880	12.937	10	10
EXM-5412 ESFRQ141206	14.5	12.5	6.125	12.75	10.880	14.937	10	12

CSA 1 GANG BOXES

GB Series

The Gang Boxes accommodate wiring device and provides opening to splice, tap, or pull conductors. They provide access to conductors for maintenance and future system changes. The enclosures are manufactured from 10 gauge aluminum and have solid welded seams.

They are provided with 1/2"-3/4" knockouts and grounding provision. Custom sizes and barriers are provided upon request.
C.S.A. Certified



<u>Cat. No.</u>	<u>No. of Gangs</u>	<u>W</u>	<u>LBS.</u>
GB-A-02	2	3 15/16	1.0
GB-A-03	3	5 3/4	5.0
GB-A-04	4	7 9/16	1.0
GB-A-05	5	9 3/8	1.0
GB-A-06	6	11 3/16	2.0
GB-A-07	7	13	2.0
GB-A-08	8	14 13/16	2.0
GB-A-09	9	16 5/8	2.0
GB-A-10	10	18 7/16	2.5

CSA 1 GANG BOXES

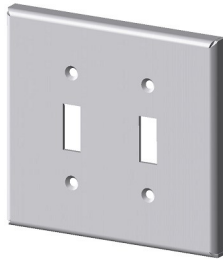
Aluminum Surface and Flush Mount Gang Box Covers

Surface and Flush mount gang box covers are manufactured from 12 gauge aluminum, and are stock items.

GB-SC-A-SWI = Surface Cover Switch
 GB-SC-A-BLA = Surface Cover Blank
 GB-SC-A-DUP = Surface Cover Duplex

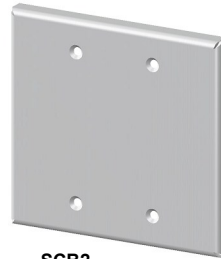
They are available in switch, duplex, deco-
 ra, blank or any combination. Custom sizes
 are available upon request.

GB-FC-A-SWI = Flush Cover Switch
 GB-FC-A-BLA = Flush Cover Blank
 GB-FC-A-DUP = Flush Cover Duplex



SCS2

Switch Covers

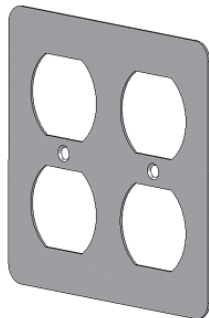


SCB2

Blank Covers

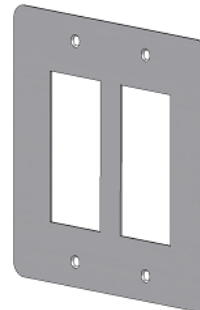
<u>Cat. No.</u>	<u>Gangs</u>	<u>LBS</u>
GB-SC-A-SWI-02/ GB-FC-A-SWI-02	2	0.5
GB-SC-A-SWI-03/ GB-FC-A-SWI-03	3	0.5
GB-SC-A-SWI-04/ GB-FC-A-SWI-04	4	0.5
GB-SC-A-SWI-05/ GB-FC-A-SWI-05	5	0.5
GB-SC-A-SWI-06/ GB-FC-A-SWI-06	6	0.5
GB-SC-A-SWI-07/ GB-FC-A-SWI-07	7	0.5

<u>Cat. No.</u>	<u>Gangs</u>	<u>LBS</u>
GB-SC-A-BLA-02 /GB-FC-A-BLA-02	2	0.5
GB-SC-A-BLA-03 /GB-FC-A-BLA-03	3	0.5
GB-SC-A-BLA-04 /GB-FC-A-BLA-04	4	0.5
GB-SC-A-BLA-05 /GB-FC-A-BLA-05	5	0.5
GB-SC-A-BLA-06 /GB-FC-A-BLA-06	6	0.5
GB-SC-A-BLA-07 /GB-FC-A-BLA-07	7	0.5



FCD2

Duplex Covers



FC-DECORA 2

Decorative Covers

<u>Cat. No.</u>	<u>Gangs</u>	<u>LBS</u>
GB-SC-A-DUP-02/ GB-FC-A-DUP-02	2	0.5
GB-SC-A-DUP-03/ GB-FC-A-DUP-03	3	0.5
GB-SC-A-DUP-04/ GB-FC-A-DUP-04	4	0.5
GB-SC-A-DUP-05/ GB-FC-A-DUP-05	5	0.5
GB-SC-A-DUP-06/ GB-FC-A-DUP-06	6	0.5
GB-SC-A-DUP-07/ GB-FC-A-DUP-07	7	0.5

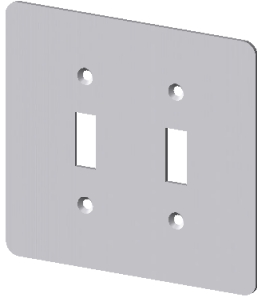
<u>Cat. No.</u>	<u>Gangs</u>	<u>LBS</u>
GB-SC-A-DEC-02/ GB-FC-A-DEC-02	2	0.5
GB-SC-A-DEC-03/ GB-FC-A-DEC-03	3	0.5
GB-SC-A-DEC-04/ GB-FC-A-DEC-04	4	0.5
GB-SC-A-DEC-05/ GB-FC-A-DEC-05	5	0.5
GB-SC-A-DEC-06/ GB-FC-A-DEC-06	6	0.5
GB-SC-A-DEC-07/ GB-FC-A-DEC-07	7	0.5

CSA 1 GANG BOXES

Stainless Steel Flush Mount Gang Box Covers

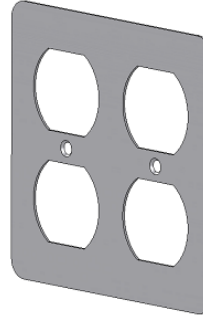
Flush mount gang box covers are manufactured from 20 gauge stainless steel, and are stock items.

They are available in switch, duplex, deco-
ra, blank or any combination. Custom sizes
are available upon request.



Switch Covers

SS 2SWITCH

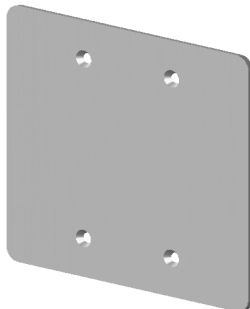


Duplex Covers

SS 2DUPLEX

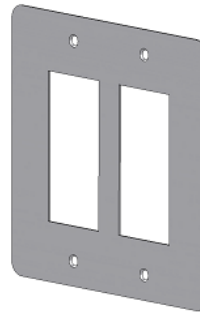
<u>Cat. No.</u>	<u>No. of Gangs</u>	<u>LBS.</u>
GB-FC-SS-SWI-02	2	0.5
GB-FC-SS-SWI-03	3	0.5
GB-FC-SS-SWI-04	4	0.5
GB-FC-SS-SWI-05	5	0.5
GB-FC-SS-SWI-06	6	0.5
GB-FC-SS-SWI-07	7	0.5

<u>Cat. No.</u>	<u>No. of Gangs</u>	<u>LBS.</u>
GB-FC-SS-DUP-02	2	0.5
GB-FC-SS-DUP-03	3	0.5
GB-FC-SS-DUP-04	4	0.5
GB-FC-SS-DUP-05	5	0.5
GB-FC-SS-DUP-06	6	0.5
GB-FC-SS-DUP-07	7	0.5



Blank Covers

SS 2BLANK



Decorative Covers

SS 2DECORA

<u>Cat. No.</u>	<u>No. of Gangs</u>	<u>LBS.</u>
GB-FC-SS-BLA-02	2	0.5
GB-FC-SS-BLA-03	3	0.5
GB-FC-SS-BLA-04	4	0.5
GB-FC-SS-BLA-05	5	0.5
GB-FC-SS-BLA-06	6	0.5
GB-FC-SS-BLA-07	7	0.5

<u>Cat. No.</u>	<u>No. of Gangs</u>	<u>LBS.</u>
GB-FC-SS-DEC-02	2	0.5
GB-FC-SS-DEC-03	3	0.5
GB-FC-SS-DEC-04	4	0.5
GB-FC-SS-DEC-05	5	0.5
GB-FC-SS-DEC-06	6	0.5
GB-FC-SS-DEC-07	7	0.5



ACCESSORIES

Handles and Latches



Padlockable type handle

Cat. No: DCM-HAN-L-P-
(FAUIND#680-2106)
Suitable for indoor or outdoor use



Key lockable type handle

Cat. No: DCM-HAN-L-P-
(SIEPAC#3202)
Suitable for indoor or outdoor use



1/4 turn plated screw driver operated latch

Cat.No:DCM-QT-B-SCREW-SLOT
Suitable for indoor or outdoor use



Stainless steel screw driver operated 1/4 turn latch

Cat.No:DCM-QT-SS-
SCREW-SLOT
Suitable for indoor or outdoor
use



1/4 turn plated pad lockable wing knob

Cat. No: DCM-QT-B-WING-PAD
Suitable for indoor or outdoor use



1/4 turn plated keylocking latch

Cat.No: DCM-QT-P-K#200
Suitable for indoor use



1/4 plated key locking wing knob

Cat. No: DCM-QT-P-WING-KEY
Suitable for indoor or outdoor

3 Point Latching Assemblies also available.

Pad lockable Hasps and Carry Handles



Zinc plated padlock hasp

Large and small sizes available.
Cat. No: DCM-CATSTRKR-P-
(SIEPAC#207ZN1)
Suitable for indoor or outdoor use.



Zinc plated heavy duty hasp

Cat. No: DCM-CAT-P-
(FAUIND#772-0671)
Suitable for indoor or outdoor
use.



Stainless steel padlock hasp

Large and small sizes available.
Cat. No: DCM-CAT-SS-
(FAUIND#776-4206)
Suitable for indoor or outdoor use.



4" Zinc plated chest handle





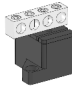
Cat. No. ACC-HANDLE 4
Suitable for indoor or outdoor
use





Stainless steel and powder coated handles are available upon request

ACCESSORIES

Splitter Blocks and Lugs

Pad Type Splitter

<u>Cat No.</u>	<u>Amp</u>	<u>Incoming Wire Range</u>	<u>Branch Wire Range</u>
 PAD-T-125	125	One 14 – 1/0	Six 14 – 2
 PAD-T-225	225	One 6 – 300 MCM	Six 14 – 2/0
 PAD-T-400	400	Two 1/0 – 250 MCM or One 4 – 600 MCM	Two 14-3/0 Four 6 -4/0
 PAD-T-600	600	Four 1/0 – 250 MCM or Two 4 – 600 MCM	Two 14-3/0 Four 6 -4/0
 PAD-TB-125	125	One 14 - 2/0	Three 14 - 2/0

<u>Cat No.</u>	<u>Wire Range</u>
 LUG-PA-SHR-100	Four 2/0-14
 LUG-PA-LNG-100	Seven 2/0-14
 LUG-PA-SHR-200	Two 300 MCM-6 Two 2/0-14
 LUG-PA-LNG-200	Six 2/0-14 Two 300 MCM-6

ACCESSORIES

Splitter Blocks and Lugs

LUGS

- Manufactured from high strength 6061-T6 aluminum alloy
- Electro-tin plated
- CSA Certified and UL Listed
- I-Beam construction
- Suitable for use either copper or aluminum conductors
- Provides low contact resistance
- Ensure reliability for copper or aluminum conductors
- Reduces material content while maintaining the same performance standards as full sized connectors

<u>Cat No.</u>	<u>Wire Range</u>
Lug-PA-1-2/0	2/0-6
Lug-PA-1-0250	250 MCM-6
Lug-PA-1-0350	350 MCM-6
Lug-PA-1-0500	500 MCM-4
Lug-PA-1-0600	600 MCM-2
Lug-PA-1-0800	800 MCM-300 MCM
Lug-PA-1-1000	1000 MCM-350 MCM
Lug-PA-2-2/0	Two 2/0-6
Lug-PA-2-0250	Two 250 MCM-6
Lug-PA-2-0350	Two 350 MCM-6
Lug-PA-2-0600	Two 600 MCM-2
Lug-PA-2-0800	Two 800 MCM-300 MCM
Lug-PA-2-1000	Two 1000 MCM-350 MCM
Lug-PA-2PB-0500	Two 500 MCM-4
Lug-PA-2PB-0600	Two 600 MCM-2
Lug-PA-2PB-0750	Two 750 MCM-4
Lug-PA-3-3/0	Triple 3/0-6
Lug-PA-3-2/0	Triple 2/0-6
Lug-PA-3-0250	Triple 250 MCM-6
Lug-PA-3-0500	Triple 500 MCM-4
Lug-PA-3-0600	Triple 600 MCM-2

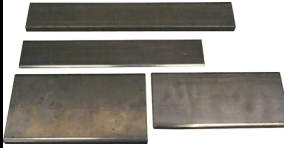


ACCESSORIES

Copper Bus

<u>Cat No.</u>	<u>Size</u>
BB-C-0025x0100	1/4x1
BB-C-0025x0150	1/4x1 1/2
BB-C-0025x0200	1/4x2
BB-C-0025x0300	1/4x3
BB-C-0025x0400	1/4x4
BB-C-0025x0500	1/4x5
BB-C-0025x0600	1/4x6

Other sizes available upon request



Aluminum Bus Bar

<u>Cat No.</u>	<u>Size</u>
BB-A-0025x0100	1/4x1
BB-A-0025x0150	1/4x1 1/2
BB-A-0025x0200	1/4x2
BB-A-0025x0300	1/4x3

Other sizes available upon request.

Red Standoff Insulators

Cat No. INS-RED
 1 3/8 High 1 3/4 Wide
 3/8 Thread size
 Other sizes available upon request.



Neoprene Oil Resistant

<u>Cat No.</u>	<u>Size</u>
GASKET-BLACK-0025x0100	1/4x1
GASKET-BLACK-0025x0075	1/4x3/4
GASKET-BLACK-0012x0075	1/8x3/4
GASKET-BLACK-0012x0100	1/8x1

Cork gasket available upon request



Copper Neutral Bar

Cat No. N-174
 Accepts 14-6 wire size

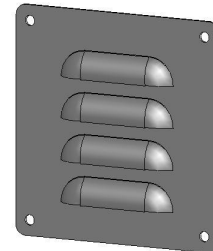


Touch Up Spray Paint

Cat No. 880-PG
 ASA-61 Grey

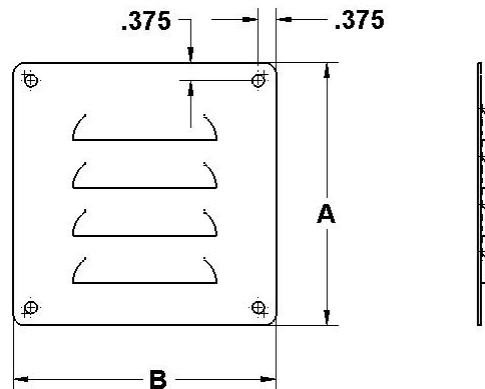
Steel Louver Plates Powder Coated ASA-61 Grey

<u>Cat No.</u>	<u>Louvers</u>	<u>A= Height</u>	<u>B= Width</u>
LP-S-2	4	5.5	5.5
LP-S-3	8	10.437	5.5
LP-S-4	12	15.312	5.5



Natural Aluminum Louver Plates

<u>Cat. No.</u>	<u>Louvers</u>	<u>A= Height</u>	<u>B= Width</u>
LP-A-2	4	5.5	5.5
LP-A-3	8	10.437	5.5
LP-A-4	12	15.312	5.5



Standards and Certifications



Underwriters Laboratories Inc.
<http://www.ul.com>
333 Pfingsten Road
Northbrook, IL, 60062

Furthermore, UL sends site inspectors to our facilities to check our manufacturing process and to verify proper material specifications.

The Underwriters Laboratories (UL) independently test products in their laboratories to ensure compliance with standards.

The performance ratings established by UL are similar to those of CSA and NEMA. See our ratings reference sheet for details.



CSA International
<http://www.csa.ca>
178 Rexdale Boulevard
Etobicoke, ON, M9W 1R3

site inspectors to our facilities to check our manufacturing process and to verify proper material specifications.

CSA International (CSA) independently test products in their laboratories to ensure compliance with standards. Furthermore, CSA sends

The performance ratings established by CSA are similar to those of UL and NEMA. See the ratings reference sheet for details.



National Electrical Manufacturer's Association
<http://www.nema.org>
1300 North 17th Street
Rosslyn, VA, 22209, USA

effective, and compatible electrical products. NEMA does not require independent testing and leaves compliance up to the manufacturer.

NEMA

Nema provides a forum for the standardization of electrical equipment, enabling consumers to select from a range of safe,

The performance ratings established by NEMA are similar to those of UL and CSA. See our ratings reference sheet for details.

Ratings reference sheet

EEMAC/NEMA Type 1 General Purpose-Indoor

Type 1 enclosures are intended for use indoors, primarily to prevent accidental contact with the enclosed equipment, in areas where unusual service conditions do not exist.

CSA Type 1 General Purpose-Indoor

Protect against accidental contact with live parts.

EEMAC/NEMA Type 3 Dust tight, rain tight and sleet resistant-Outdoor

Type 3 enclosures are intended for use outdoors, primarily to protect the enclosed equipment against windblown dust and water. They are not sleet (ice) proof.

CSA Type 3 Dust tight, rain tight and sleet resistant-Outdoor

An enclosure for either indoor or outdoor use, constructed so as to provide a degree of protection against rain, snow and wind blown dust; undamaged by the external formation of ice on the enclosure.

EEMAC/NEMA Type 4 Watertight and dust tight- Indoor and Outdoor

Type 4 enclosures are intended for use indoors or outdoors, to protect the enclosed equipment against splashing water, seepage of water, and severe external condensation. They are sleet (ice) proof.

CSA Type 4 Watertight and dust tight- Indoor and Outdoor

An enclosure for either indoor or outdoor use, constructed so as to provide a degree of protection against rain, snow and wind blown dust; splashing and hose directed water; undamaged by the external formation of ice on the enclosure.

EEMAC/NEMA Type 4X Watertight and dust tight- Corrosion resistant- Indoor and Outdoor

Type 4X enclosures have the same provisions as Type 4 enclosures and, in addition, are corrosion-resistant.

CSA Type 4X Watertight and dust tight- Corrosion resistant- Indoor and Outdoor

Type 4X enclosures have the same provisions as Type 4 enclosures and, in addition, are corrosion-resistant.

TECHNICAL DATA

Modified polyester powder coatings

Code Electric uses heat fused PE series modified polyester powder, electrostatically applied on a phosphatized base. In this process, the paint particles are charged with static electricity and are sprayed on the grounded enclosures, this causes the particles to adhere evenly to the enclosure, eliminating the possibility of paint runs. The enclosure is then cured at

approximately 200°C for 20 Minutes. Enclosures can be customized using any color from the color table below. The modified polyester finish was chosen because of its excellent life span in acidic atmospheres and for its ability to be repainted.

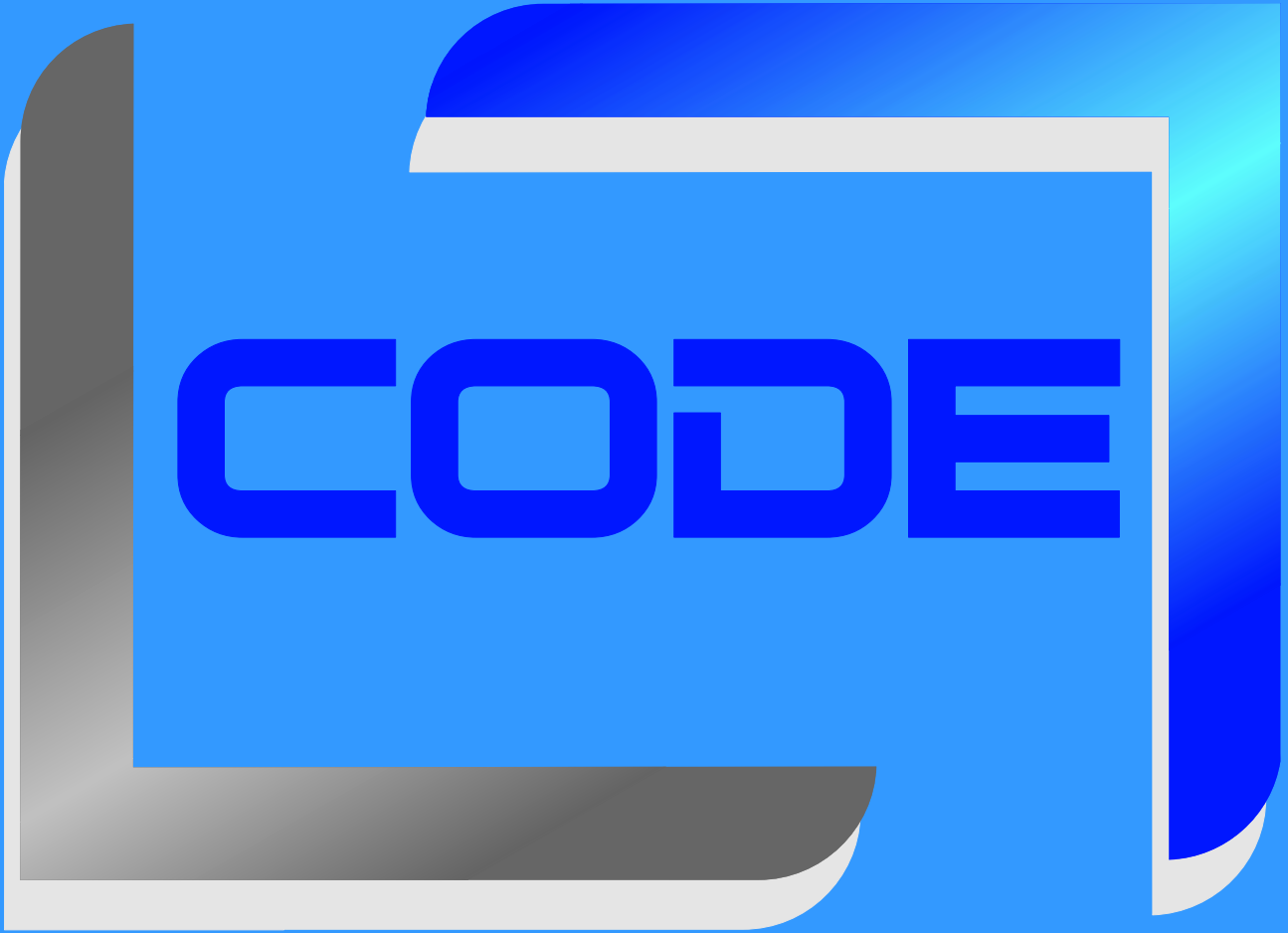
The following types of top coatings can be applied over our modified polyester finish:

1. Acrylic Urethane

- (2 components)
2. Polyurethane (2 components)
3. Epoxies (2 components)
4. Alkyd, medium oil (linseed, soy).

We recommend the above types of top coating to achieve a high quality finish with good adhesion with no prior sanding or treatment. **Fast dry short oil alkyds or chain stopped alkyds are not recommended.**

<u>Color description</u>	<u>Approximate RAL equivalent</u>	<u>Touch up spray paint #</u>
White	RAL 9003	880 PE
ANSI/ASA 61 Grey	RAL 7042	880 PE
ANSI/ASA 70 Grey	Ral 7038	880 PG2
Textured Beige	RAL 7032	880 PTC
Textured Black	RAL 9005	880 PTK



ELECTRIC PRODUCTS LTD