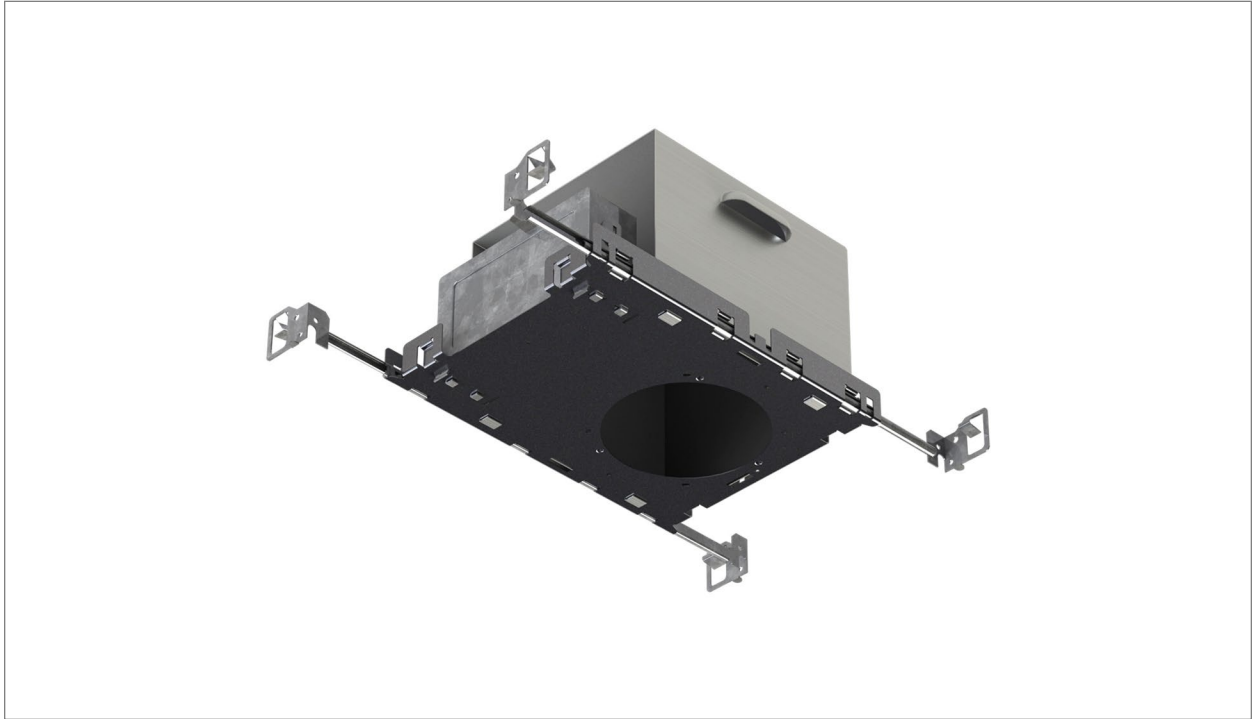




D4B-F-R

3 Series Round Frame In BRO



The D4B-F-R series is designed for non insulated ceilings. A unique design allows installation of very shallow plenums as low as 5" (when used with a shallow cover). A black powder coated 20 Ga. baseplate is designed for bidirectional mounting of hanger bars. A 18 Ga. galvanized steel junction box with multiple K.O. for easy wiring entry. The housing series is approved for branch circuit wiring.

FEATURES

- Utilizes BRO series LED
- 45°C (113°F) operating temperature
- 16" hanger bars standard
- 5 junction box knock outs

DETAILS

Aperture: 4"
Shape: Round
Ceiling: Non-Insulated
Max. Lumen Output: 1000

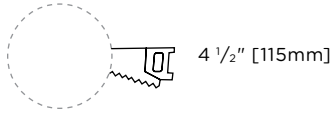


D4B-F-R-3-Series-Specs • Subject to change without notice • Rev 2016.12.19 • 1/8

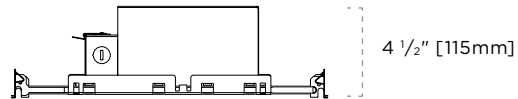
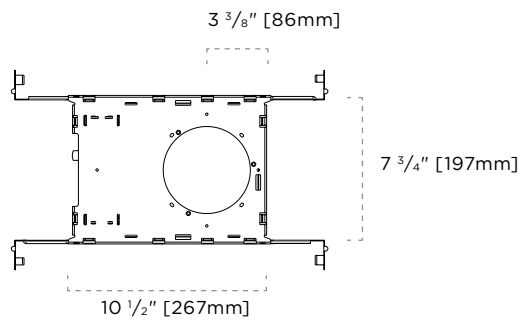
Housing Types

TRIMMED

Ceiling Cutout

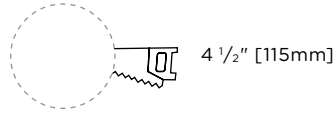


DIMENSIONS

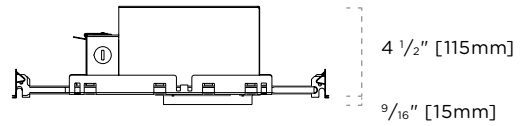
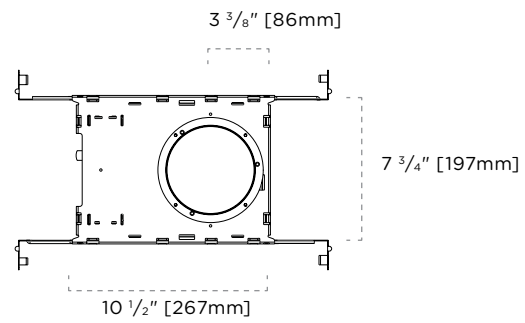


TRIMMED WITH APERTURE COLLAR

Ceiling Cutout



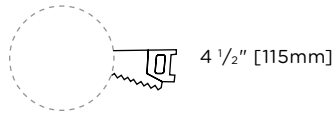
DIMENSIONS



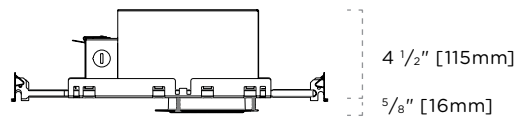
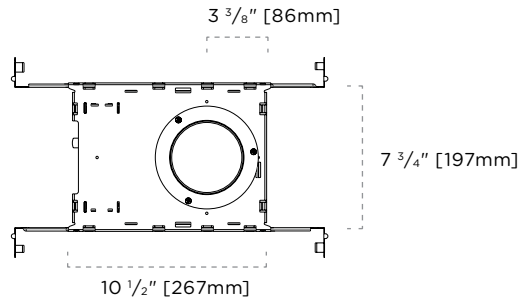
TRIMLESS

(consult factory for various ceiling thicknesses)

Ceiling Cutout

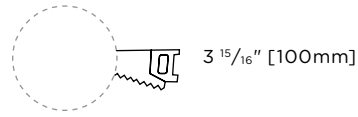


DIMENSIONS

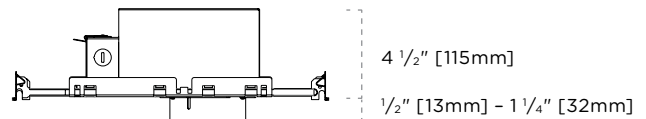
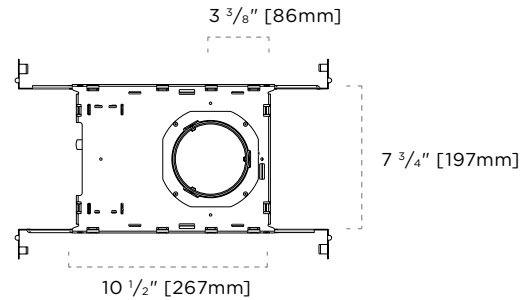


WOOD TRIMLESS










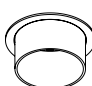






Ceiling Cutout



DIMENSIONS



Compatible Trims

Trim	Flange Type	
	Trimmed	Trimless & Wood Trimless
2-112 Round Wall Wash		—
2-115 Aqua		
2-120 Aurora		
2-167 Starlite		
2-170 Conus		
2-175 Corona		—
2-180 Pinhole		
2-182 Flare		
2-197 Linover		

Dimming

ONBOARD DIMMING SERIES & RANGES

SERIES	S	P	P1	L	LE	LH	D
DRIVER	ELV	0-10V		LUTRON 3-Wire	LUTRON Phase	LUTRON EcoSystem	DALI
120V Input	100-10%	100-10%	100-1%	100-1%	100-1%	100-1%	100-1%
277V Input	—	100-10%	100-1%	100-1%	—	100-1%	100-1%
347V Input	—	100-10%	—	—	—	—	—

S SERIES—ELV DIMMING COMPATIBILITY

Smooth, flicker-free dimming from 100% to 10%.

PRODUCT	FAMILY	CODE	DIMMING PROTOCOL	FIXTURES PER CONTROL	
				120V	
				3 SERIES	
Lutron	DIVA	DVELV-300P	ELV	1-6	
		DVELV-303P	ELV		
Lutron	SKYLARK	SELV-300P	ELV	1-6	
		SELV-303P	ELV		
Lutron	Maestro	MAELV-600	ELV	1-12	
Lutron	Nova T	NTELV-300	ELV	1-6	
		NTEL-600	ELV	1-12	
Lutron	Radio RA2	RRD-6NA	ELV	1-12	
Leviton	Illumatech	IPE04	ELV	1-6	

P SERIES—0-10V DIMMING COMPATIBILITY

Smooth, flicker-free dimming from 100% to 10%.

P1 SERIES DIMMING—0-10V DIMMING COMPATIBILITY

Smooth, flicker-free dimming from 100% to 1%.

PRODUCT	FAMILY	CODE	DIMMER TYPE	DIMMING	
				P SERIES	P1 SERIES
Lutron	Nova T*	NTFTV + PP-20	0-10V	10%	1%
Lutron	Nova	NFTV + PP-20	0-10V	10%	1%
Lutron	Radio Touch	RTA-WX / RTA-TX	0-10V	10%	1%
Lutron	Grafik Eye	QS	0-10V	10%	1%
Lutron	Grafik Eye	QSG-P120	0-10V	10%	1%
Lutron	Grafik Eye	GRX-IT	0-10V	10%	1%
Lutron	Nova T*	NTSTV-DV-**	0-10V	10%	1%
Leviton	Illumatech	IP710-DL	0-10V	10%	1%

D4B-F-R-3-Series-Specs • Subject to change without notice • Rev 2016.12.19 • 5/8

LH SERIES—LUTRON ECOSYSTEM COMPATIBILITY

Smooth, flicker-free dimming from 100% to 1%.

PRODUCT	CODE	FIXTURES PER EcoSystem LINK
PowPak dimming module with EcoSystem	RMJ-ECO32-DV-B	1-32
Energi Savr Node with EcoSystem	QSN-1ECO-S QSN-2ECO-S	1-64
GRAFIK Eye QS with EcoSystem	QSGRJ-E QSGR-E	1-64
Quantum	Various	1-64

L SERIES—LUTRON 3-WIRE COMPATIBILITY

Smooth, flicker-free dimming from 100% to 1%.

PRODUCT	CODE		FIXTURES PER CONTROL	
	120V	277V	120V	277V
Nova T*	NTF-10	NTF-10-277	1-41	1-44
	NTF-103P	NTF-103P-277	1-20	1-33
Nova	NF-10	NF-10-277	1-41	1-44
	NF-103P	NF-103P-277	1-20	1-33
Vareo	VF-10		1-20	n/a
Skylark	SF-10P	SF-12P-277	1-20	1-33
	SF-103P	SF-12P-277-3	1-20	1-33
Diva	DVF-103P	DVF-103P-277	1-20	1-33
	DVSCF-103P	DVSCF-103P-277	1-20	1-33
Ariadni	AYF-103P	AYF-103P-277	1-20	1-44
Vierti	VTF-6A		1-15	1-33
Maestro	MAF-6AM	MAF-6AM-277	1-15	1-20
	MSCF-6AM	MSCF-6AM-277	1-15	1-20
Maestro Wireless	MRF2-F6AN-DV		1-15	1-20
			1-15	1-33
RadioTouch	RTA-RX-F		1-41	1-88
Spacer System	SPSF-6A	SPSF-6A-277	1-15	1-20
	SPSF-6AM	SPSF-6AM-277	1-15	1-20
Lyneo Lx	LXF-103PL	LXF-103PL-277	1-20	1-33
RadioRA 2	RRD-F6AN-DV		1-15	1-33
HomeWorks QS	HQRD-F6AN-DV		1-15	1-33
Interfaces	PHPM-3F-120	n/a	1-41	n/a
	PHPM-3F-DV		1-41	1-88
	GRX-FDBI-16A		1-41	1-88
GP Dimming Panels	Various		1-41	1-88

D4B-F-R-3-Series-Specs • Subject to change without notice • Rev 2016.12.19 • 6/8

LE SERIES—LUTRON FORWARD PHASE COMPATIBILITY

Smooth, flicker-free dimming from 100% to 1%

PRODUCT	CODE	DRIVERS PER CONTROL
		120V
Maestro Wireless Dimmer	MRF2 / 6ND-120	1-8
HomeWorks QS Adaptive Dimmer	HQRD-6NA	1-8
HomeWorks QS 600W Dimmer	HQRD-6ND	1-8
HomeWorks QS 1000W Dimmer	HQRD-10ND	1-13
Stanza Dimmer	SZ-6ND	1-8
RadioRA 2 Adaptive Dimmer	RRD-6NA	1-8
RadioRA 2 1000W Dimmer	RRD-10ND	1-13
Homeworks QS Wallbox Power Module	HQRJ-WPM-6D-120	1-10 (per output)
HomeWorks Wallbox Power Module	HWI-WPM-6D-120	1-10 (per output)
Grafik Eye QS Control Unit	QSGR / QSGRJ	1-10 (per output)
Grafik Eye 3000 Control Unit	GRV-3100 / GRX-3500	1-10 (per output)
RPM-4U Module	HW-RPM-4U-120 / LP-RPM-4U-120	1-26 (per output)
RPM-4A Module	HW-RPM-4A-120 / vLP-RPM-4A-120	1-13 (per output)
GP Dimming Panels	Various	1-26
Ariadni CL 250W Dimmer	AYCL-253P	1-8
Diva CL 250W Dimmer	DVCL-253P / DVSCCL-253P	1-8
Grafik T CL or RF CL Dimmer	GT-250M/GTJ-250M	1-8

D4B-F-R

3 Series Round Frame In BRO

Project

Type

Notes

Product Code

1 2 3 4 5 6

1. Housing

D4B-F-R 4.5" BRO

2. Flange Type

T Trimmed

TL Trimless

TLW Trimless Wood Ceiling ¹

3. Series

3 BRO 1000 Lumens Max

4. Dimming

D DALI (1%)

L Lutron 3-Wire (1%)

LE Lutron Phase (1%) ²

LH Lutron EcoSystem (1%)

P 0-10V Dimming (10%)

P1 0-10V Dimming (1%)

S ELV Dimming (10%) ²

5. Voltage

120

277

347 ³

6. Options

BP Black Painted Housing Interior

RCF Round Aperture Collar ³

WP White Painted Housing Interior

Notes

¹ **TLW** Flange Type is not compatible with **RCF** option.

² **LE** and **S** dimming is only available in **120V**.

³ **347V** dimming is only available in **P** dimming.

D4B-F-R-3-Series-Specs • Subject to change without notice • Rev 2016.12.19 • 8/8