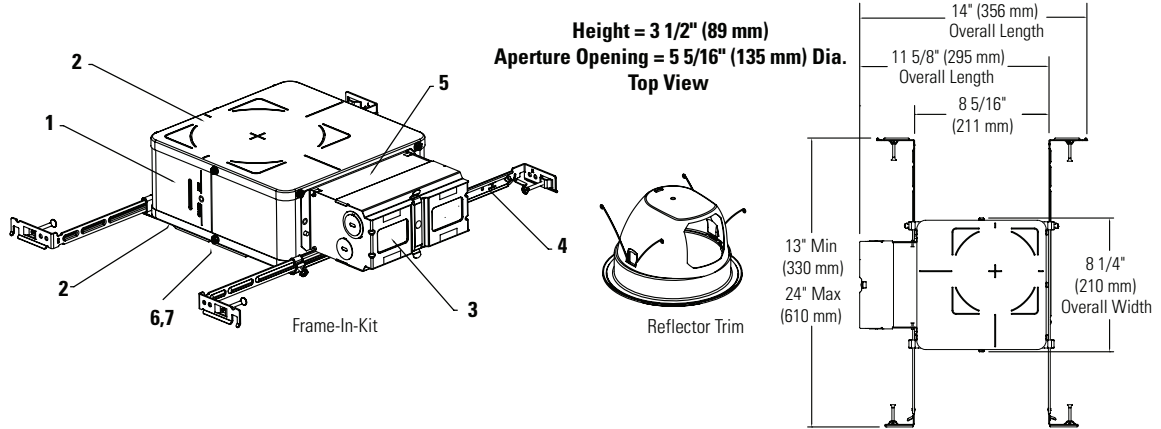


1050RN

Lytecaster, 5", CFL, IC, Round, I Lt., FIK



Complete fixture consists of frame-in kit and reflector trim. Select each separately.

Xceed frame-in kit	Xceed compact fluorescent lensed round reflector Trims			
Frame-in kit sku	Lensed downlight		Lensed slope/wall wash	
1050RN13ES* 13w Triple GX24q-1Base, 120v - 0.25 amp max	1050RNDLWB	1050RNDLFGWB	1050RNSLWWB	1050RNSLWFGWB
1050RN18ES* 18w Triple GX24q-2 Base, 120v - 0.34amp max	1050RNDLCDW	1050RNDLFGCDW	1050RNSLWCDW	1050RNSLWFGCDW
1050RN26ES* 26w Triple GX24q-3Base, 120v - 0.40 amp max	1050RNDLCDP	1050RNDLFGCDP	1050RNSLWCDP	1050RNSLWFGCDP
	1050RNDLWDW	1050RNDLFGWDW	1050RNSLWWDW	1050RNSLWFGWDW
	1050RNDLWDP	1050RNDLFGWDP	1050RNSLWWDP	1050RNSLWFGWDP
	1050RNDLWC	1050RNDLFGWC	1050RNSLWWC	1050RNSLWFGWC



*All frames come standard with preset mounting screws and a 2700k lamp. Models are available with preset nails and/or a 3500k lamp (13es = 2700k only). Simply add an n and/or 35 to the end of the model number for those options.

Job Information	Type:
Job Name:	
Cat. No.:	
Notes:	

Features

1. Housing: .026" (#23ga.) galvanized steel. UL listed for direct contact with thermal insulation. AirSeal® housing minimizes air leakage to less than 2 CFM at 1.57 PSF (or 75Pa), which complies with Title 24, the International Energy Conservation Code, and Washington State Energy Code (Section 502.4). This reduces heat loss and condensation in ceiling. Access door for inspection of junction box.

2. Lower frame and top cover: .026" (#23 ga.) galvanized steel. Accommodates ceilings up to 1 1/2" thick. 3/8" deep integral lip with four notches at 90 degrees apart to simplify alignment. Locks into position along length of mounting bars with locking screws. Indicator lines on housing top and sides to simplify alignment.

3. Junction box: 2.5" X 5 3/8" X 2" (27 cu. in) .032" (#21 ga.) galvanized steel. UL listed 90°C supply conductors. Rated for branch circuit wiring supplying connected luminaires (daisy chaining).

4. Mounting bars: .059" (#16 ga.) galvanized steel. Bars pivot for easy attachment and wire-in below ceiling line. Bars extend to accommodate 16" to 24" O.C. joist spacing. Bars can accommodate 12" O.C. Joist spacing after a slight field modification (see Instruction Sheet). Features integral self tapping phillips/square drive SCREWS for secure attachment to wood or metal construction. Also available with integral NAILS. Attaches to T-bar ceilings without the need of accessories. Bars installed on shortest dimension of frame, but can be easily repositioned 90 degrees from original position.

5. Ballast: Mounted inside Junction Box. 120V NPF Energy Star® approved Electronic Ballast. Instant start with end of lamp life protection, class "P" thermal protection with a class "A" sound rating. Ballast easily accessible for inspection. Minimum Starting Temperature is 0°F (-17C).

Features (continued)

6. Socket: NEW TWIST & LOCK Four-pin base, molded thermoplastic socket, prewired with No. 18 AWM leads to ballast.

7. Socket Bracket: .048" (#18ga.) Galvanized Steel. Designed to be easily adjusted to accommodate 3/8" to 1 1/2" ceiling thickness. Three positions available for any installation orientation of Wall Washers Slope ceiling, or Wall mount application. Ensures Unitized optics. Reflector trim is secured to upper portion of socket bracket to ensure a tight to ceiling installatio

Recommended Lamping

Lightolier recommends the following Philips lamps:

943269: PLT 13W – 2700K = PHILIPS #228189

943270: PLT 18W – 2700K = PHILIPS #38437-0

943271: PLT 18W – 3500K = PHILIPS #26820-1

943272: PLT 26W – 2700K = PHILIPS #38440-4

943273: PLT 26W – 3500K = PHILIPS #26824-3

Labels

cULus Listed Type I.C., Suitable for Damp Location, Complies with Air Leakage Requirements stated in the Title 24, International Energy Conservation code and Washington State Energy Code. AirSeal® is a registered trademark of Lightolier.



Philips Lightolier
e: lol.webmaster@philips.com
t: (508) 679-8131
w: www.lightolier.com

1050RN October 19, 2010

Specifications are subject to change without notice.
© Koninklijke Philips Electronics N.V., 2010. All rights reserved.

Job Information	Type:
------------------------	--------------