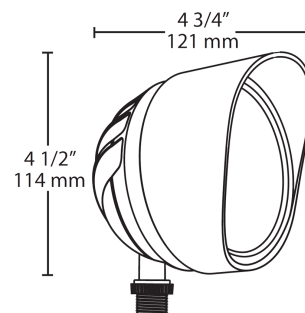


BULLET12NA RCL

12W LED equivalent to 75W BR30/halogen/wide flood. Available in black, white, bronze and verde green.

Color: Bronze

Weight: 3.4 lbs



LED Info

Watts: 12W
 Color Temp: 4000K (Neutral)
 Color Accuracy: 84
 L70 Lifespan: 100000
 LM79 Lumens: 832
 Efficacy: 64 LPW

Driver Info

Type: Constant Current
 120V: 0.10A
 208V: N/A
 240V: N/A
 277V: N/A
 Input Watts: 13W
 Efficiency: 92%

Technical Specifications

UL Listing:

Suitable for wet locations

LEDs:

Multi-chip, high-output, long-life LEDs

Driver:

Innovative integrated driver technology with 120V TRIAC and ELV dimming

Lifespan:

100,000-Hour LED lifespan based on IES LM-80 results and TM-21 calculation

Thermal Management:

Superior heat sinking with external Air-Flow fins

Housing:

Die-cast aluminum housing, lens frame and mounting plate

Reflector:

Semi-specular, vacuum-metalized polycarbonate

Lens:

Microprismatic diffusion lens for smooth and even light distribution

California Title 24:

BULLET12 complies with 2013 California Title 24 building and electrical codes as a residential outdoor lighting fixture with no additional hardware required and as a commercial outdoor non-pole-mounted fixture ? 30 Watts when used with a photosensor control. Select catalog number to order a photosensor.

Mounting:

Heavy-duty mounting arm with "O" ring seal and stainless steel screws

Gaskets:

High-temperature silicone gaskets

Finish:

Our environmentally friendly polyester powder coatings are formulated for high-durability and long-lasting color, and contain no VOC or toxic heavy metals.

Color Stability:

LED color temperature is warranted to shift no more than 200K in CCT over a 5 year period.

Color Uniformity:

RC's range of CCT (Correlated Color Temperature) follows the guidelines of the American National Standard for Specifications for the Chromaticity of Solid State Lighting (SSL) Products, ANSI C78.377-2011.

Green Technology:

Mercury and UV free, and RoHS compliant. Polyester powder coat finish formulated without the use of VOC or toxic heavy metals.

IESNA LM-79 & LM-80 Testing:

RC LED luminaires have been tested by an independent laboratory in accordance with IESNA LM-79 and LM-80, and have been received the Department of Energy "Lighting Facts" label.

DLC Listed:

This product is on the Design Lights Consortium (DLC) Qualified Products List and is eligible for rebates from DLC Member Utilities.

Warranty:

RC warrants that our LED products will be free from defects in materials and workmanship for a period of five (5) years from the date of delivery to the end user, including coverage of light output, color stability, driver performance and fixture finish.