

**PHILIPS
KEENE**

Wall mount

LytePro LED Sconce

LPW32



Project: _____
 Location: _____
 Cat.No: _____
 Type: _____
 Quantity: _____
 Notes: _____

The Philips Keene LytePro LED Wall Sconce LPW32 features outstanding value in a compact, architectural design. This wall sconce features state-of-the-art, long-life and maintenance savings, in a combined discreet LED package with high precision over-optic design. This powerful and precise combination offers outstanding energy savings with excellent photometric performance. LPW32 is ideal for building perimeters and corridors in addition to wall lighting applications requiring strong lateral spacing and forward pattern projection.

Stocked luminaires – Ordering guide

Catalog Number	Description	Master Pack, Qty	UPC Code
LPW32-78DGY	LPW32,71W,700mA,120-277V, Dark grey textured paint	3	786034960564
LPW32-78WH	LPW32,71W,700mA,120-277V, White textured paint	3	786034960571
LPW32-78BZ	LPW32,71W,700mA,120-277V, Bronze textured paint	3	786034960588
LPW32-79DGY	LPW32,71W,700mA,347-480V, Dark grey textured paint	3	624563299352
LPW32-79WH	LPW32,71W,700mA,347-480V, White textured paint	3	624563299369
LPW32-79BZ	LPW32,71W,700mA,347-480V, Bronze textured paint	3	624563299345

Stocked accessories - Ordering guide (Must be ordered separately)

Catalog Number	Description	Master Pack, Qty	UPC Code
LPWCVRPLT-BZ	LPW Universal wall cover mounting plate, Bronze textured paint	(none)	786034960618

Description of catalog codes

Family	Drive current	Voltage	Finish
LPW32 = LytePro 32 LED Wall Sconce	7 = 700mA drive current	8 = 120-277V 9 = 347-480V	BZ = Bronze textured paint DGY = Dark gray textured paint WH = White textured paint

LPW32 LytePro LED Small Wall Sconce

Features

LPW32 wall sconce delivers 6,913 lumens at 71W, with an efficacy of 98 lumens per watt.

- LP32W-7, 71W LED may effectively replace 150-250W HID luminaires!
- 4000K neutral white at 70 CRI (minimum) is standard
- LPW32 offers three in-stock colours on standard units
- 5-year limited warranty, see philips.com/warranties for specific details

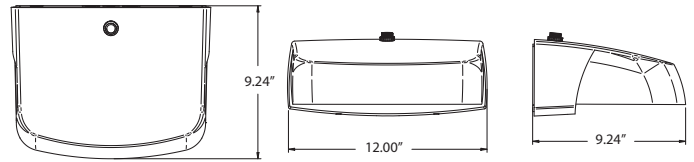
Performance/Specifications

Distribution	Type 3
Initial Lumens	6,913
Average Wattage	71
Lumens/Watt	98
BUG Rating*	B1/U0/G1
Luminaire Weight	~11 lbs (5Kg)

Ratings/Approbations/Certifications

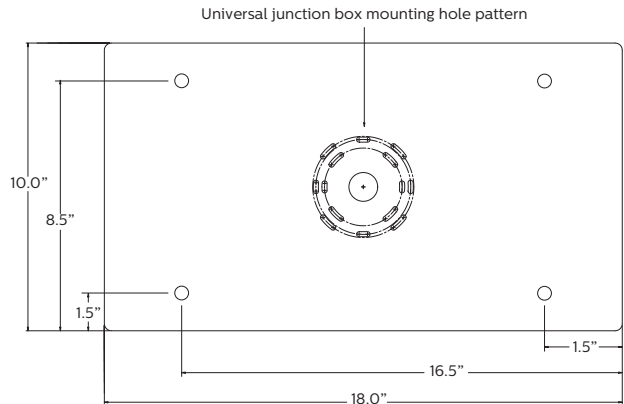
Ingress Protection	IP65 Optical
DLC Listed	DLC QPL
cETLus	Certified for use in wet locations
Rated Ambient Temperature	-40°C (-40°F) to 40°C (104°F)

Fixture Dimensions



Accessory Dimensions (ordered separately)

LPWCVRPLT-BZ Universal wall cover mounting plate, 0.08" aluminum, bronze textured paint (used to cover larger pre-existing opening or surfaces, field installed). Offers same J-Box pattern as luminaire or may lagged to wall using (4) knockouts.

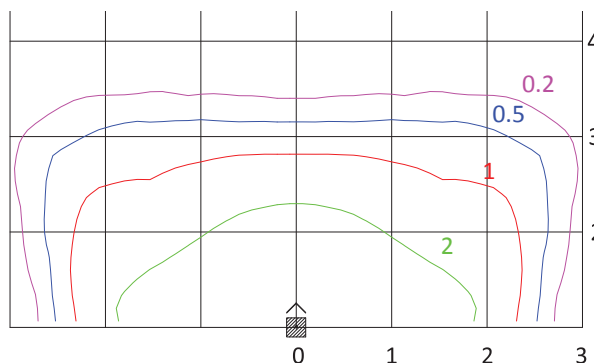


1. Comparable equivalency to HID and other lamp sources depends on multiple criteria including mounting height, fixture spacing, efficiency, performance and classification of the luminaire being replaced and application lighting criteria required for the given project.

Distribution Pattern

LPW32 15' MOUNTING HEIGHT			
MOUNTING HEIGHT	12'	15'	18'
MULTIPLIER	1.56	1.0	0.67

- Isolines shown at 2.0, 1.0, 0.5, & 0.2 FC.
- Choose mounting height. Use MULTIPLIER (X) EXISTING FC VALUE = NEW FC VALUE.
- FC values are based on initial lumen output.
- Gridline spacing is in units of chosen mounting height



LPW32 LytePro LED Small Wall Sconce

General Description

The Philips Keene LytePro LED Wall Sconce LPW32 combines excellent performance, design and value to meet the needs of the energy and budget conscious. The LPW32 is available for use in downward facing, surface wall mount applications, over recessed j-boxes or where power can be directly fed through back surface, whereby connections splices can be made inside the luminaire housing.

Housing

Die-cast housing houses both the LED and driver assemblies. Design incorporates an integrated heat sink to maximize thermal performance and reliability. Backplate is corrosion free, composite polycarbonate, with built-in level bubble, offers integral interlocking hook and mount design for easy installation.

Mounting

Easy interlocking hook and mount housing/backplate design for easy installation. Mounts over 3.5", 4" octagonal j-boxes and single gang switch boxes or can be directly lagged to surface. Ensure proper steps for gasket/sealing luminaire to surface.

IP Rating

Optical compartment is IP65 rated.

LED Board and Array

Provides up to 98 lm/W in LPW32 at the

system level. Standard colour temp is 4000K +/- 250K, minimum 70 CRI.

Electrical

Driver efficiency (>90% standard). 120-277V and 347-480V. Temp range: -40°C (-40°F) to 40°C (104°F). Open/short circuit protection. Inherent surge protection up to (4KVA). RoHS compliant.

Listings

Product is cETLus listed suitable for Wet Locations. Suitable for use in ambients from -40°C to 40°C (-40°F to 104°F). DesignLights Consortium® qualified.

Finish

Each luminaire receives a fade and abrasion resistant, electrostatically applied, thermally cured, triglycidal isocyanurate (TGIC) textured polyester powdercoat finish. Three standard colours are available: Dark Grey, Bronze and White. Specific options are only available in bronze.

Warranty

LPW32 luminaires, the LED arrays, and the drivers are all covered by a 5-year limited warranty. See philips.com/warranties for details.

LED Performance:

PREDICTED LUMEN DEPRECIATION DATA^{2,4}

Ambient Temp. °C	Calculated L70 hrs ³	Reported L70 Per TM-21 ^{3,4}	Calculated Lumen Maint. % @60,000 hrs
up to 40°C	>200,000 hrs	>60,000 hrs	94.0%

2. Calculated performance derived from LED manufacturer's data and engineering design estimates, based on IESNA LM-80 methodology. Actual experience may vary due to field application conditions.

3. L70 is the predicted time when LED performance depreciates to 70% of initial lumen output.

4. Reported per IESNA TM21-11. Published L70 hours limited to 6 times actual LED test hours.



© 2014 Koninklijke Philips N.V. All rights reserved. Philips reserves the right to make changes in specifications and/or to discontinue any product at any time without notice or obligation and will not be liable for any consequences resulting from the use of this publication. philips.com/luminaires



Philips Lighting North America Corporation
200 Franklin Square Drive, Somerset, NJ 08873
Tel. 855-486-2216

Imported by: Philips Lighting,
A division of Philips Electronics Ltd.
281 Hillmount Rd, Markham, ON, Canada L6C 2S3
Tel. 800-668-9008