



MR16 LED

10MRX16/F36 4000 DIM HO 10/1

Philips MR16 Dimmable LED Lamps provide ambient level light to illuminate hard to maintain applications. Increased transformer compatibility allows for operation on a wider range of transformers. Available in dimmable and non-dimmable versions, these lamps are ideal for track and open recessed fixtures in retail, hospitality and residential spaces.

Product data

• General Characteristics

Cap-Base	GU5.3
Bulb	MR16 [MR 16inch/50mm]
Rated Avg. Life (Hours)	30000 hr
Nominal Lifetime hours	30000 hr

• Light Technical Characteristics

Color Code	840
Color Designation	Cool White
Beam Angle	36 D
Beam Description	36D [Medium beam]
Correlated Color Temperature	4000 K
Approximate Lumens	495 Lm
Approx. MBCP	1885 cd
CRI	80
Color Temp. (Kelvin)	4000 K [CCT 4000K]
LLMF - end nominal lifetime	70 %
Colour consistency	6 steps
Rated Beam Angle	36 D

• Electrical Characteristics

Wattage	10 W
Wattage Technical	10 W
Voltage	12 V
Line Frequency	50-60 Hz
Power Factor	0.8 -
Lamp Current mA	715 mA
Dimmable	Yes
Wattage Equivalent	50 W

Rated Wattage	10 W
Starting Time	0.5 (max) s
Warm-up Time to 60% Light Outp	instant full light
Suitable for accent lighting	No

• Environmental characteristics

Energy Efficiency Label (EEL)	A
Energy consumption kWh/1000h	11 kWh

• Measuring Conditions

Switching cycle	50000X
-----------------	--------

• Product Dimensions

Overall Length C	50 mm
Diameter D	54 mm

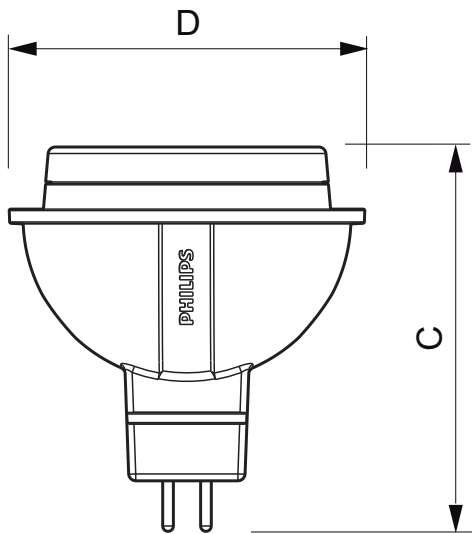
• Product Data

Product number	432443
Full product name	10MRX16/F36 4000 DIM HO 10/1
Short product name	10MR16/F36 4000 DIM HO 10/1
Pieces per Sku	1
eop_pck_cfg	10
Skus/Case	10
Bar code on pack	46677432447
Bar code on case	50046677432442
Logistics code(s)	929000260504
eop_net_weight_pp	0.045 kg



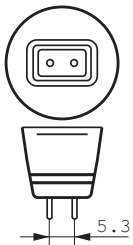
PHILIPS

Dimensional drawing



10MRX16/F36 4000 DIM HO 10/1

Product	C (Norm)	D (Norm)
LED D 10-50W 840 MR16 36D	50	54



GU5.3



© 2015 Koninklijke Philips N.V. (Royal Philips)
All rights reserved.

Specifications are subject to change without notice. Trademarks are the property of Koninklijke Philips N.V. (Royal Philips) or their respective owners.

www.philips.com/lighting

2015, July 27
data subject to change