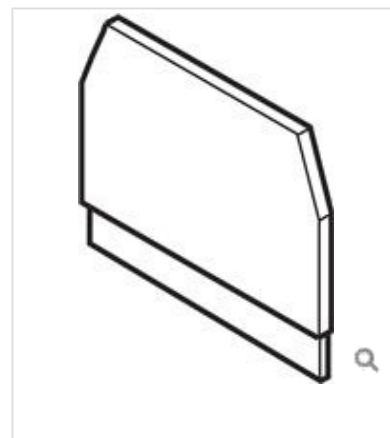


# FEM13U

[Print View..](#)  
[Print to Pdf..](#)

## General Information

<b>Extended Product Type:</b>	FEM13U
<b>Product ID:</b>	1SNA199635R2400
<b>EAN:</b>	3472591996357
<b>Catalog Description:</b>	FEM13U End Sections Black
<b>Long Description:</b>	FEM13U - End Sections - Black - 1.5mm Spacing



## Categories

Products » Low Voltage Products and Systems » Connection Devices »  
 Terminal Blocks Accessories » End Sections

## Ordering

<b>EAN:</b>	3472591996357
<b>Minimum Order Quantity:</b>	10 piece
<b>Customs Tariff Number:</b>	39269097

## Dimensions

<b>Product Net Weight:</b>	5.80 g
----------------------------	--------

## Container Information

<b>Package Level 1 Units:</b>	10 piece
<b>Package Level 1 Gross Weight:</b>	0.05800 kg
<b>Package Level 1 EAN:</b>	3472591996357
<b>Package Level 2 Units:</b>	2000 piece
<b>Package Level 3 Units:</b>	24000 piece

## Additional Information

<b>Color:</b>	Black
<b>Function:</b>	End Sections
<b>IIT Publishing Status:</b>	Level 0 - Information enabled
<b>Mounting on DIN Rail:</b>	G32 (32 x 15 mm Mounting Rail) acc. to IEC 60715 TH35-7.5 (35 x 7.5 mm Mounting Rail) acc. to IEC 60715 TH35-15 (35 x 15 mm Mounting Rail) acc. to IEC 60715
<b>Product Main Type:</b>	FEM13
<b>Product Name:</b>	End Section
<b>Spacing:</b>	1.5 mm

## Certificates and Declarations (Document Number)

<b>GOST Certificate:</b>	1SND161005A1104
<b>RoHS Information:</b>	1SND230478F0202

## Classifications

<b>ETIM 4.0:</b>	EC000886 - Endplate and partition plate for terminal block
<b>ETIM 5.0:</b>	EC000886 - Endplate and partition plate for terminal block
<b>Object Classification Code:</b>	X