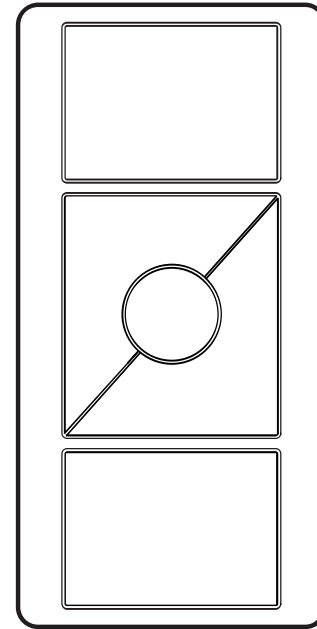


Pico® Wireless Control and Mounting Accessories (for North, Central, and South America)

The PicoR wireless control is a flexible and easy to use device that allows the user to control LutronR wireless load control devices from anywhere in the space. This battery operated control requires no external power or communication wiring.

Features

- Provides control for the following:
 - Maestro WirelessR controls
 - PowPakT Modules
 - SivoiaR QS wireless systems
 - Energi Savr NodeT and QuantumR systems, through the use of a QS sensor module (QSM)
 - GRAFIK EyeR QS wireless systems
 - RadioRAR 2 systems
 - HomeWorks® QS wireless systems
- Control available in a variety of button marking options.
- Easy reconfiguration for use as:
 - Handheld remote
 - Wall mount control (with or without faceplate; faceplate adapter kit sold separately)
 - Car visor control (car visor clip sold separately)
 - A table top control (table top pedestal sold separately).
- Battery powered PicoR wireless control requires no wiring.
- 10 year battery life (one CR2032 battery included).
- Can provide control to blinds, curtains or lighting devices within a 30 ft (9 m) range.



PicoR wireless control

| | | |
|---|--|--|
| Job Name: <input style="width: 90%; height: 20px;" type="text"/> | Model Numbers: <input style="width: 60%; height: 20px;" type="text"/> <input style="width: 35%; height: 20px;" type="text"/> | |
| Job Number: <input style="width: 100px; height: 20px;" type="text"/> | <input style="width: 300px; height: 20px;" type="text"/> | <input style="width: 300px; height: 20px;" type="text"/> |

Specifications

Regulatory

- LutronR Quality Systems registered to ISO 9001:2008.
- FCC Certified (U.S.A.)
- IC Certified (Canada)
- COFETEL Certified (Mexico)
- SUTEL Certified (Costa Rica)

Power

- Operating Voltage 3 V_{DC}
- (1) CR2032 Battery (included)

System Communication and Capacity

- PicoR wireless controls communicate using Radio Frequency (RF) at 431 - 437 MHz.
- Thousands of system addresses prevent interference between systems.
- PicoR wireless controls can be assigned to control blinds, curtains or lighting devices that are within a 30 ft (9 m) range.
- Can be configured as a scene or zone control in GRAFIK EyeR QS wireless applications.

Mounting Considerations

- Mounting of any RF devices on or in close proximity to a metal surface will drastically reduce the effective range of radio signal transmission or reception.
- All RF devices must be mounted on non-conductive materials to ensure proper performance.
- Coming soon! If you wish to mount your PicoR wireless control to a metal surface, the "Metal Mounter" will be required in order to maintain proper RF performance. Please contact LutronR Customer Service for availability at 1.888.LUTRON1 (1.888.588.7661).

Environment

- Ambient operating temperature: 32 °F to 140 °F (0 °C to 60 °C)
- Maximum 90% non-condensing relative humidity
- Indoor use only

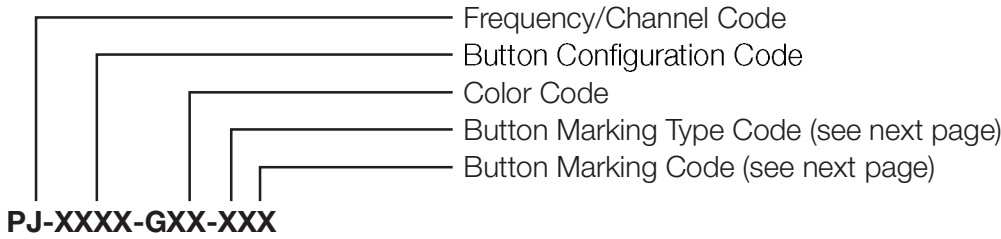
Warranty

- 1 Year Limited Warranty
For additional Warranty information, please visit http://www.lutron.com/TechnicalDocumentLibrary/369-119_Wallbox_Warranty.pdf

| | | |
|--|---|----------------------|
| Job Name: <input type="text"/> | Model Numbers: <input type="text"/> | |
| Job Number: <input type="text"/> | <input type="text"/> | <input type="text"/> |

Model Number

For order quantities of 96 pieces or greater of the same model number, bulk packaging may be available. Mounting hardware is not available with bulk packaging. Please contact Lutron® Customer Service for availability at 1.888.LUTRON1 (1.888.588.7661).



Frequency/Channel Codes:

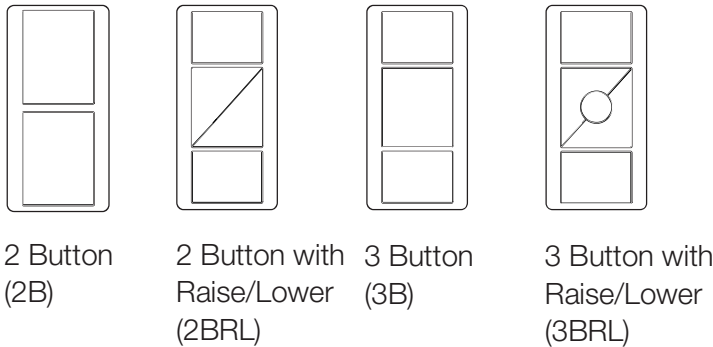
Code

J — 431.0 - 437.0 MHz

Contact Lutron’s Customer Service at www.lutron.com for frequency/channel code compatibility with your particular geographic region, and for integrating with other Lutron® lighting and shading products.

Button Configuration Codes:

| <u>Button Configuration</u> | <u>Code</u> |
|-----------------------------|-------------|
| 2 Button | 2B |
| 2 Button with Raise/Lower | 2BRL |
| 3 Button | 3B |
| 3 Button with Raise/Lower | 3BRL |



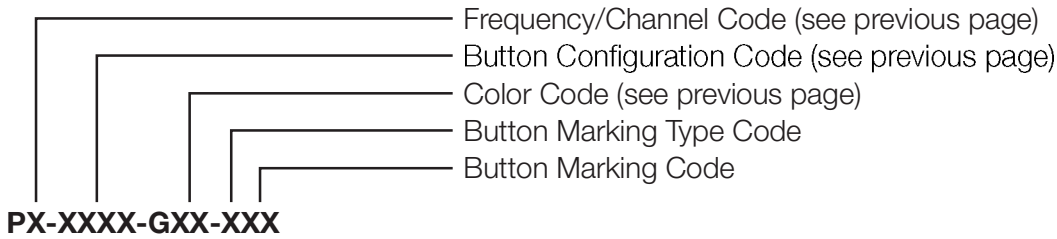
Color Codes:

| <u>Gloss Color</u> | <u>Code</u> |
|--------------------|--|
| White | WH |
| Black | BL |
| Ivory | IV |
| Light Almond | LA |
| White / Gray | WG (Top and Raise buttons are White; Preset, Lower, and Bottom buttons are Gray) |

Continued on next page...

| | |
|---|---|
| Job Name: <input style="width: 90%; height: 20px;" type="text"/> | Model Numbers: <input style="width: 95%; height: 20px;" type="text"/> |
| Job Number: <input style="width: 100px; height: 20px;" type="text"/> | <input style="width: 95%; height: 20px;" type="text"/> |

Model Number (continued)



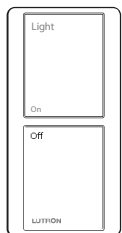
Button Marking Type Codes:

| Button Marking Type Options | Code |
|-----------------------------|------|
| Text | T |
| Icons | I |

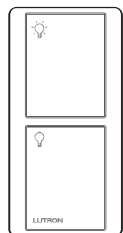
Button Marking Codes:

| Button Marking Options | Code | Button Marking Options | Code |
|------------------------|------|------------------------|------|
| Light | 01 | Drapery | 08 |
| Shade | 02 | Blackout | 09 |
| Shade 1 | 05 | Sheer | 10 |
| Shade 2 | 06 | Blind | 13 |
| Screen | 07 | Power | 14 |

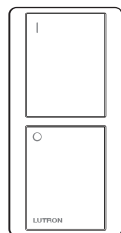
2 Button



Light (text)
(01)



Light (icons)
(01)



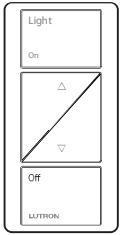
Power (icons)
(14)

Continued on next page...

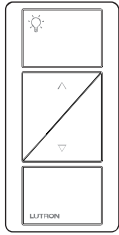
| | | |
|---|--|--|
| Job Name: <input style="width: 90%; height: 20px;" type="text"/> | Model Numbers: <input style="width: 60%; height: 20px;" type="text"/> <input style="width: 40%; height: 20px;" type="text"/> | |
| Job Number: <input style="width: 100px; height: 20px;" type="text"/> | <input style="width: 300px; height: 20px;" type="text"/> | <input style="width: 300px; height: 20px;" type="text"/> |

Button Marking Codes: (continued)

2 Button with Raise/Lower

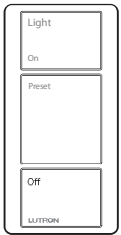


Light (text)
(01)

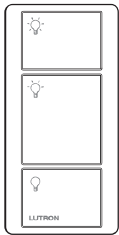


Light (icons)
(01)

3 Button

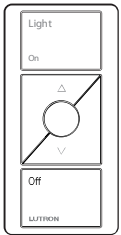


Light (text)
(01)

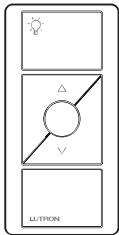


Light (icons)
(01)

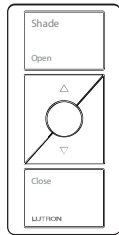
3 Button with Raise/Lower



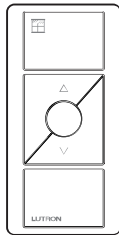
Light (text)
(01)



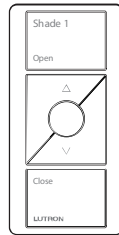
Light (icons)
(01)



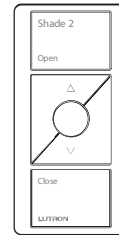
Shade (text)
(02)



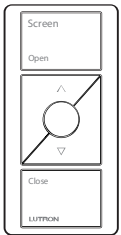
Shade (icons)
(02)



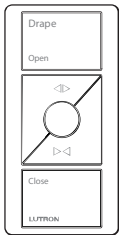
Shade 1 (text)
(05)



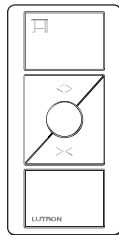
Shade 2 (text)
(06)



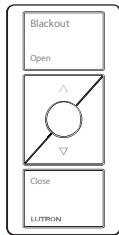
Screen (text)
(07)



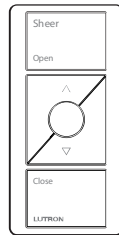
Drapery (text)
(08)



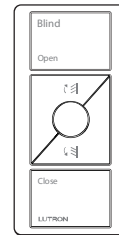
Drapery (icons)
(08)



Blackout (text)
(09)



Sheer (text)
(10)



Blind (text)
(13)

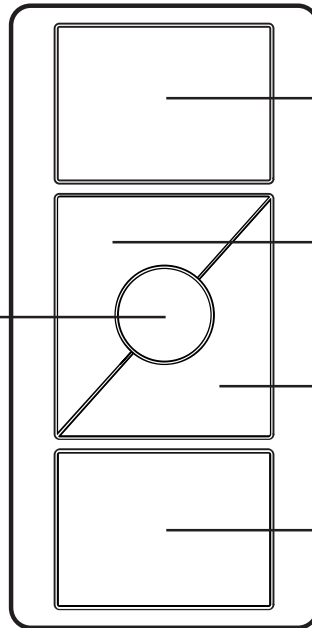
| | | |
|--|---|----------------------|
| Job Name: <input type="text"/> | Model Numbers: <input type="text"/> | |
| Job Number: <input type="text"/> | <input type="text"/> | <input type="text"/> |

Operation

Preset Button
(3B & 3BRL models only)

Tap once:
Devices go to preset levels/positions. Activates scene 16 when used in scene mode with GRAFIK EyeR QS wireless applications.

Press and hold:
To save new preset level or position, press and hold for 6 seconds.



Top Button

Lights brighten to full intensity and shades/ draperies go to open limit. Activates scene 1 when used in scene mode with GRAFIK EyeR QS wireless applications.

Raise Button (2BRL & 3BRL models only)

Lights increase in intensity and shades/ draperies move towards open limit.

Lower Button (2BRL & 3BRL models only)

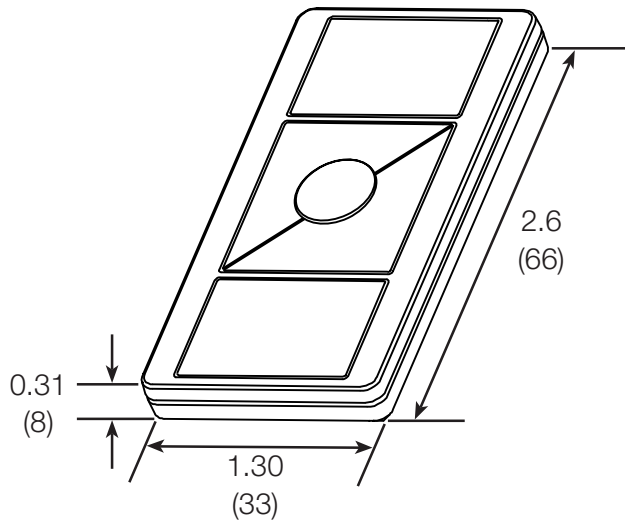
Lights decrease in intensity and shades/ draperies move towards close limit.

Bottom Button

Lights dim to off and shades/ draperies go to close limit. Activates "OFF" scene when used in scene mode with GRAFIK EyeR QS wireless applications.

Dimensions

Measurements shown as: in (mm)

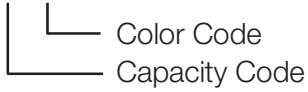


| | | |
|--|---|----------------------|
| Job Name: <input type="text"/> | Model Numbers: <input type="text"/> | |
| Job Number: <input type="text"/> | <input type="text"/> | <input type="text"/> |

Pico® Pedestal Model Number

Pedestals sold separately. Available in gloss finish only.

L-PEDX-XX



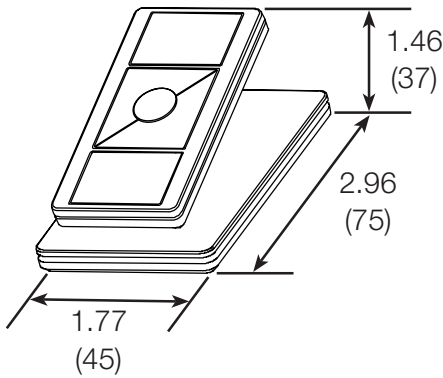
| Capacity | Capacity Code | Gloss Color | Color Code |
|-----------|---------------|-------------|------------|
| Single | 1 | White | WH |
| Double | 2 | Black | BL |
| Triple | 3 | | |
| Quadruple | 4 | | |

Dimensions

Measurements shown as: ⁱⁿ
(mm)

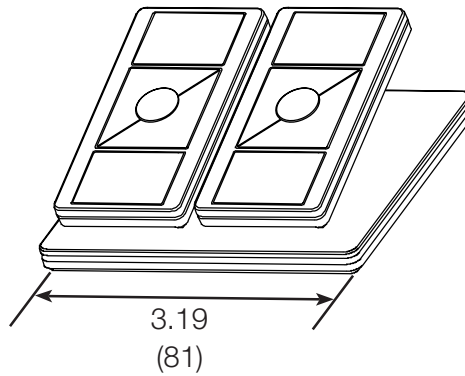
Single Pedestal

Pedestals sold separately.



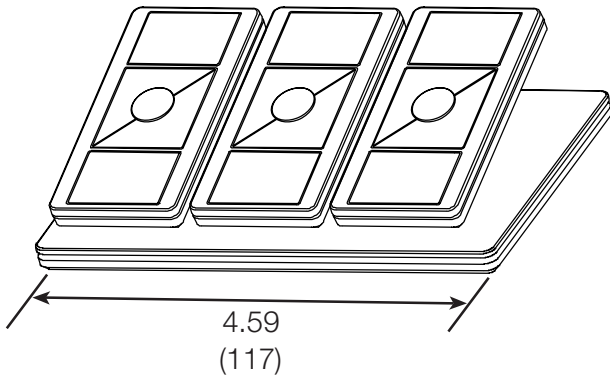
Double Pedestal

Pedestals sold separately.



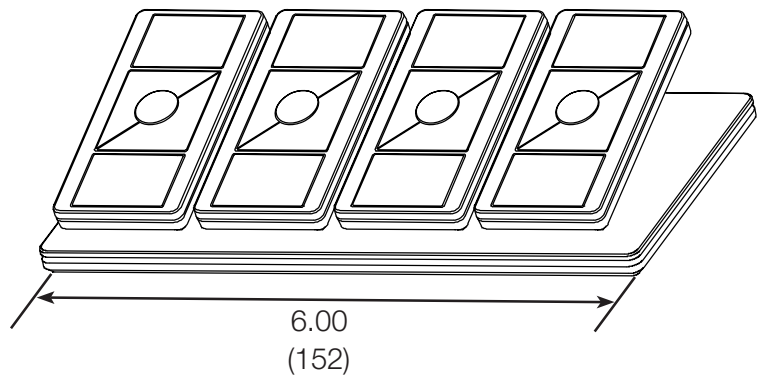
Triple Pedestal

Pedestals sold separately.



Quadruple Pedestal

Pedestals sold separately.

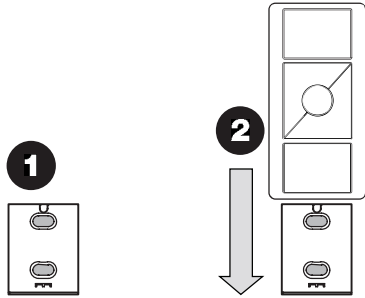


| | |
|---|---|
| Job Name: <input style="width: 90%; height: 20px;" type="text"/> | Model Numbers: <input style="width: 95%; height: 20px;" type="text"/> |
| Job Number: <input style="width: 100px; height: 20px;" type="text"/> | <input style="width: 95%; height: 20px;" type="text"/> |

Mounting Options

Stand Alone Mounting

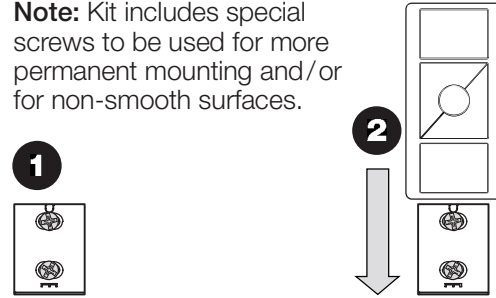
Adhesive Mount (included with Pico®)



Screw Mount (sold separately)

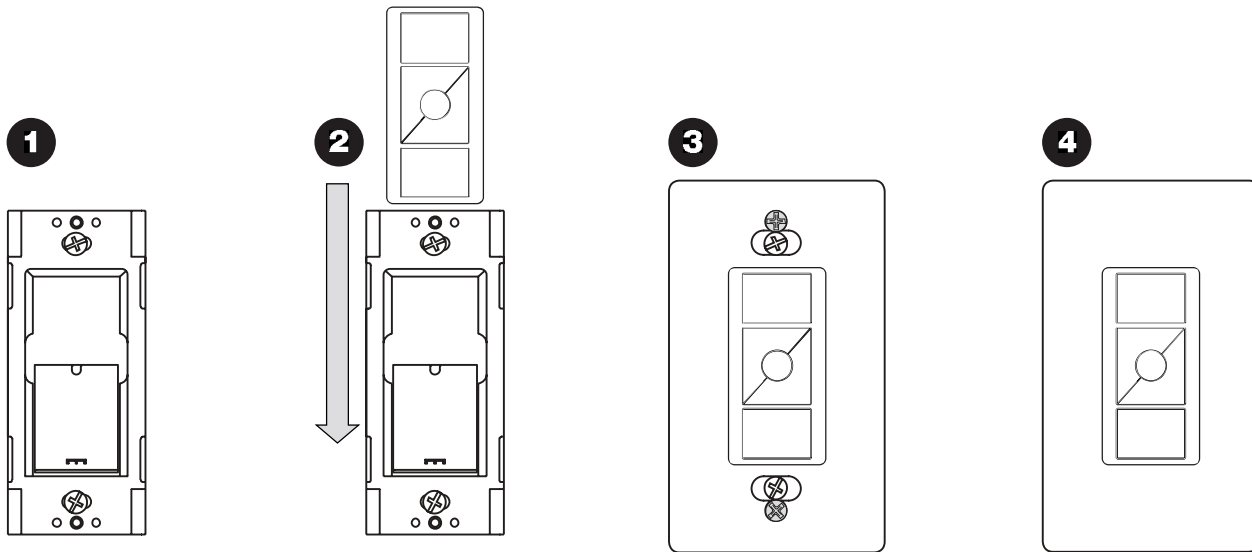
Model PICO-SM-KIT

Note: Kit includes special screws to be used for more permanent mounting and/or for non-smooth surfaces.



Wallplate Adapter

Model PICO-FP-ADAPT (sold separately)



*Wallplate adapter / wallplate sold separately

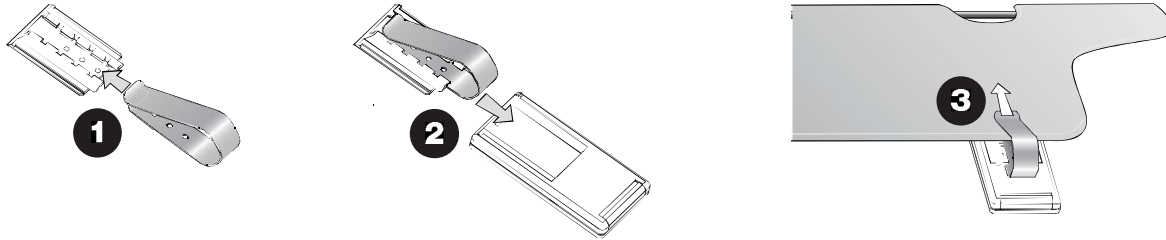
Continued on next page...

| | |
|---|--|
| Job Name: <input style="width: 90%; height: 20px;" type="text"/> | Model Numbers: <input style="width: 95%; height: 20px;" type="text"/> |
| Job Number: <input style="width: 80%; height: 20px;" type="text"/> | <input style="width: 95%; height: 20px;" type="text"/> |

Mounting Options (continued)

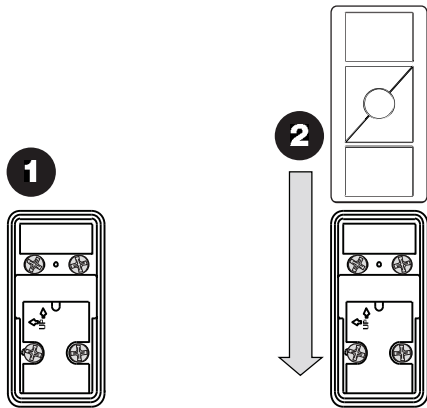
Car Visor

Model PICO-CARVISOR-CL (sold separately)



Mounting to Metal Surfaces

Coming Soon (sold separately)



| | | |
|----------------------|----------------------|----------------------|
| Job Name: | Model Numbers: | |
| <input type="text"/> | <input type="text"/> | <input type="text"/> |
| Job Number: | <input type="text"/> | <input type="text"/> |